

Thank you for purchasing a Sealey product. Manufactured to a high standard this product will, if used according to these instructions and properly maintained, give you years of trouble free performance.



IMPORTANT: PLEASE READ THESE INSTRUCTIONS CAREFULLY. NOTE THE SAFE OPERATIONAL REQUIREMENTS, WARNINGS & CAUTIONS. USE THE PRODUCT CORRECTLY AND WITH CARE FOR THE PURPOSE FOR WHICH IT IS INTENDED. FAILURE TO DO SO MAY CAUSE DAMAGE AND/OR PERSONAL INJURY, AND WILL INVALIDATE THE WARRANTY. PLEASE KEEP INSTRUCTIONS SAFE FOR FUTURE USE.

1. SAFETY INSTRUCTIONS

1.1. ELECTRICAL SAFETY

WARNING! It is the responsibility of the owner and the operator to read, understand and comply with the following:

You must check all electrical products, before use, to ensure that they are safe. You must inspect power cables, plugs, sockets and any other connectors for wear or damage. You must ensure that the risk of electric shock is minimised by the installation of appropriate safety devices. A Residual Current Circuit Breaker (RCCB) should be incorporated in the main distribution board. We also recommend that a Residual Current Device (RCD) is used. It is particularly important to use an RCD with portable products that are plugged into a supply which is not protected by an RCCB. If in any doubt consult a qualified electrician. You may obtain a Residual Current Device by contacting your Sealey dealer. **You must also read and understand the following instructions concerning electrical safety.**


- 1.1.1. The **Electricity at Work Act 1989** requires all portable electrical appliances, if used on business premises, to be tested by a qualified electrician, using a Portable Appliance Tester (PAT), at least once a year.
- 1.1.2. The **Health & Safety at Work Act 1974** makes owners of electrical appliances responsible for the safe condition of those appliances and the safety of the appliance operators. **If in any doubt about electrical safety, contact a qualified electrician.**
- 1.1.3. Ensure that the insulation on all cables and on the appliance is safe before connecting it to the power supply. See 1.1.1. and 1.1.2. and use a Portable Appliance Tester.
- 1.1.4. Ensure that cables are always protected against short circuit and overload.
- 1.1.5. Regularly inspect power supply cables and plugs for wear or damage and check all connections to ensure that none is loose.
- 1.1.6. **Important:** Ensure that the voltage marked on the appliance matches the power supply to be used and that the plug is fitted with the correct fuse - see fuse rating at right.
- 1.1.7. **DO NOT** pull or carry the appliance by the power cable.
- 1.1.8. **DO NOT** pull the plug from the socket by the cable.
- 1.1.9. **DO NOT** use worn or damaged cables, plugs or connectors. Immediately have any faulty item repaired or replaced by a qualified electrician. When an ASTA/BS approved UK 3 pin plug is damaged, cut the cable just above the plug and **dispose of the plug safely.** Fit a new plug according to the following instructions (UK only).

a) **Connect the GREEN/YELLOW earth wire to the earth terminal 'E'.**

b) **Connect the BROWN live wire to the live terminal 'L'.**

c) **Connect the BLUE neutral wire to the neutral terminal 'N'.**

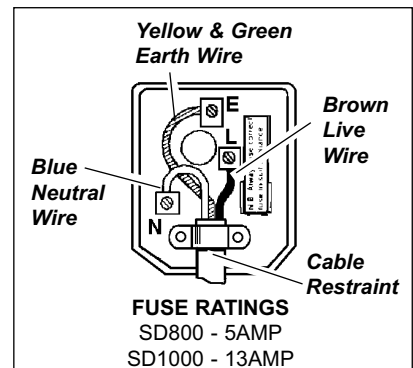
d) **After wiring, check that there are no bare wires, that all wires have been correctly connected, that the cable outer insulation extends beyond the cable restraint and that the restraint is tight.**

Double insulated products, which are always marked with this symbol , are fitted with live (brown) and neutral (blue) wires only. To rewire, connect the wires as indicated above - **DO NOT** connect either wire to the earth terminal.

- 1.1.10. Products which require more than 13 amps are supplied without a plug. In this case you must contact a qualified electrician to ensure that a suitably rated supply is available. We recommend that you discuss the installation of an industrial round pin plug and socket with your electrician.
- 1.1.11. If an extension reel is used it should be fully unwound before connection. A reel with an RCD fitted is preferred since any appliance plugged into it will be protected. The cable core section is important and should be at least 1.5mm², but to be absolutely sure that the capacity of the reel is suitable for this product and for others which may be used in the other output sockets, we recommend the use of 2.5mm² section cable. If extension reel is to be used outdoors, ensure it is marked for outdoor use.

1.2 GENERAL SAFETY

- ✓ Disconnect the drill from the mains power before changing accessories, servicing or performing any maintenance.
- ✓ Maintain drill in good condition. Check moving parts and alignment, and keep drill bits sharp. If necessary use an authorised service agent.
- ✓ Replace or repair damaged parts. *Use recommended parts only. Unauthorised parts may be dangerous and will invalidate the warranty.*
- ✓ Wear approved safety eye protection with side shields, and a dust mask if drilling generates dust. Rubber gloves are recommended when using out doors, and safety gloves when drilling items such as steel, brick work etc,
- ✓ Remove ill fitting clothing. Remove ties, watches, rings, and other loose jewellery, and contain long hair.
- ✓ Use drill in an adequate working area for its function, keep area clean, tidy and free from unrelated materials, and ensure adequate lighting.
- ✓ Prevent body contact with grounded surfaces to avoid electric shock i.e. pipes, radiators, ranges, refrigerators etc.
- ✓ Evaluate your working area before using the drill i.e. ceiling, floors and enclosures may contain hidden electrical wires or water piping.
- ✓ Maintain correct balance and footing. **DO NOT** over-reach and ensure the floor is not slippery and wear non skid shoes.
- ✓ The supplementary handle grip should always be attached for use.
- ✓ Keep children and unauthorised persons away from the working area.
- ✓ Secure non stable work piece with a clamp, vice or other adequate holding device. **DO NOT** hold unsecured work in your hand.
- ✓ Avoid unintentional starting, and ensure the lock on button is disengaged before use.
- ✗ **DO NOT** force the drill to achieve a task it was not designed to perform.
- ✗ **DO NOT** operate drill where there are flammable liquids or gasses.
- ✗ **DO NOT** get the drill wet or use in damp or wet locations.
- ✗ **DO NOT** operate the drill if any parts are missing or the drill is damaged as this may cause failure and/or possible personal injury.
- ✗ **DO NOT** operate the drill when you are tired, under the influence of alcohol, drugs or intoxicating medication.
- ✗ **DO NOT** carry the drill with your finger on the power switch, or carry by the power cord, or leave the drill running whilst unattended.
- ✓ When not in use switch drill off, remove plug from power supply, clean the drill and store in safe, dry, child proof area.



2. TECHNICAL SPECIFICATIONS

MODEL	SD800	SD1000
Input power	230V 50Hz	230V 50Hz
Motor	800W	1000W
Speed at no load	0 - 3000rpm	0 - 1100 / 0 - 3000rpm
Chuck capacity	1.5 - 13mm	1.5 - 13mm
Hammer action	0-4800bpm	0 - 16500 / 0 - 45000bpm
Drilling capacity for steel	13mm	13mm
Maximum capacity for wood	32mm	32mm
Maximum capacity for concrete	13mm	16mm
Weight	2.1kg	3.5kg
Sound pressure level	91.0dB(A)	89.7dB(A)
Sound power level	104.0dB(A)	102.7dB(A)
Vibration level	9.71m/s ²	9.25m/s ²

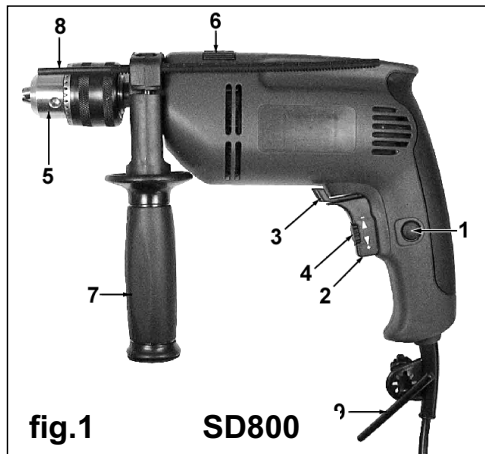


fig.1 SD800

1. Trigger lock button
2. On/Off switch
3. Forward/reverse selector
4. Variable speed knob
5. Chuck
6. Drill/impact selector
7. Side handle
8. Depth gauge
9. Chuck key
10. High/low gear knob (SD1000 only)

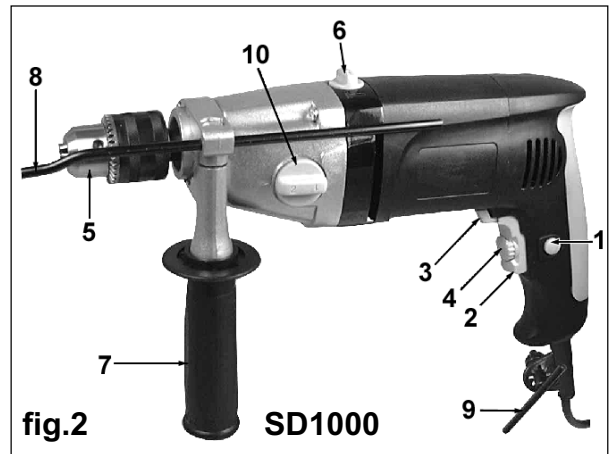


fig.2 SD1000

3. OPERATING INSTRUCTIONS

3.1. PREPARING DRILL FOR USE.

- 3.1.1. Ensure the drill is switched off and unplugged from the mains power supply.
- 3.1.2. **Fitting the side handle.** (See figs.1&2 item 7) Fit supplementary handle grip by placing the handle assembly over chuck head and onto the machine neck. Secure by rotating the handle clockwise until it is tight and the handle can no longer be moved. To ensure a good grip in all circumstances the angle of the handle may be changed by rotating the handle grip anticlockwise until the handle assemble is loose. Rotate the handle to the desired angle and retighten.
- 3.1.3. **Fitting the depth gauge.** (See figs.1&2 item 8) To fit the depth gauge loosen the side handle and pass the gauge through the handle clamp to the required depth. Rotate the handle to the required angle. As the handle is tightened the depth gauge will also be gripped firmly.

3.2. DRILL CONTROLS

- 3.2.1. **ON/OFF Variable speed trigger.** Your drill has a variable speed control on/off trigger (See figs.1&2 item 2) which increases the speed the more the trigger is depressed. Adjacent to the trigger is a button that can be used to lock the trigger in the 'ON' position for continuous extended drilling.
- 3.2.2. **Trigger lock.** (See figs.1&2 item 1) To lock 'ON', depress the trigger, push in and hold the button then release the trigger. Release the lock on button and your drill will continue running accordingly.
- 3.2.3. To release the lock depress the trigger and release it.
- 3.2.4. Power failure. If you have the lock on feature engaged during use and your drill becomes disconnected from the power supply, disengage the lock on feature immediately.

⚠ WARNING! Before connecting your drill to power supply, ensure it is not in the lock on position as this may result in damage and personal injury. Depress the trigger to ensure release. DO NOT use the lock on facility for jobs where your drill may need to be stopped suddenly.

- 3.2.5. **Maximum speed setting control.** The variable speed trigger has a small rotating knob incorporated into it (See figs.1&2 item 4) which can be used to control the maximum speed of the drill. When the knob is set to the maximum or + setting the trigger can be fully depressed allowing the drill to turn at its maximum speed. As the knob is turned towards the minimum or - setting the movement of the trigger is restricted so that the drill will turn at a lower pre-set speed when the trigger is fully depressed. This facility is useful when working with materials that should be drilled at a constant, lower speed.
- 3.2.6. **Two speed gearbox.(SD1000 only)** The SD1000 also incorporates a 2 speed mechanical gearbox which used in conjunction with the other speed controls adds additional versatility to this model. To select the lower speed turn the gear selector knob so that '1' is adjacent to the arrow on the casing. To select the higher speed turn the gear selector knob so that '2' is adjacent to the arrow on the casing. (See fig.2 item 10) It may be necessary to rotate the chuck by hand slightly whilst using the gear selector in order to get the gears to mesh.

⚠ WARNING! Only change gear when the drill is not turning.

The required speed will depend on the material and task in hand. The following may be used as a general guide.

- a) Low speeds are recommended for hard materials i.e. stone, ceramic, concrete, high tensile steel, and tasks such as starting holes without centre punch, driving screws, mixing paint etc.
- b) Medium speeds are suitable for plastics and laminates.
- c) High speeds recommended for soft materials such as wood, aluminium, copper, bronze and brass.

- ▲ **CAUTION: DO NOT run your drill at low to medium speeds for extended periods of time as this may cause drill to overheat. To cool drill run it without a load for approximately 3 minutes at full speed.**
- 3.2.7. **Direction of rotation.** Select either forward or reverse rotation using the lever mounted directly above the trigger. (See figs.5) The lever flicks from left to right. Select reverse by moving the lever to the left to be adjacent to the 'L' symbol and the trigger lock button. To select the forward direction flick the lever to the other side to be adjacent to the 'R' symbol.
- ▲ **CAUTION: Do not change direction of rotation whilst the drill is running.**

- 3.2.8 **Selection of hammer action / drilling.** When using a masonry drill bit the hammer action can be used to assist penetration into concrete, stone and masonry.
SD800. The hammer action selector is a large sliding 'switch' situated on top of the drill. (See fig.4) To select hammer action slide the selector to the left so that it is adjacent to the hammer symbol moulded on the side of the case. To disable the hammer action slide the switch in the other direction to be adjacent to the drill symbol moulded on the other side of the casing.
SD1000. To use the drill's hammer function turn the selector knob on top of the drill (fig.2 item 6) so that the arrow moulded into it points towards the hammer symbol. To disengage the hammer function turn the selector knob back to the drill bit symbol

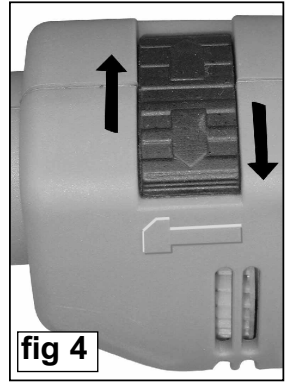


fig 4

3.3. **DRILL OR TOOL BIT FITTING.**

WARNING! Unplug from the mains power supply before placing bit into chuck. Open or close the chuck jaws to a point where the opening is slightly larger than the drill or tool bit to be used. Also raise the front of the drill slightly to stop the bit from falling out of the chuck jaws. Insert the drill bit into the chuck as far as it will go. Place the chuck key in one of the chuck holes and tighten the chuck securely. (fig 3).

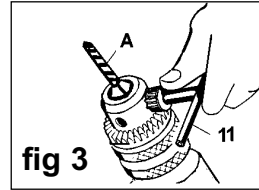


fig 3

3.4. **DEPTH STOP GAUGE.**

Ensure the work piece has a flat surface and is wide enough for the gauge to butt up against when the required depth has been reached. Measure back from tip of the drill bit to the point at which the drill must stop. Release clamp/handle and extend the depth gauge to the point at which you wish to stop drill penetrating further and retighten the handle/clamp. Once drill has reach correct depth the gauge will butt up against work piece and stop further inward progress.



fig 5

3.5. **STANDARD DRILLING INSTRUCTIONS.**

WARNING! ensure you wear approved safety goggles and any other safety item required for the job. Remove the chuck key before using the drill, and ensure the trigger button lock is not locked in position which would result in accidental starting of the drill. Also ensure that all other safety requirements in chapter 1 are followed.

Ensure drill is unplugged from the mains power supply.

- 3.5.1. If the material to be drilled is free standing it should be secured in a vice or with clamps to keep it from turning as the drill bit rotates.
- 3.5.2. When drilling metals, use a light oil on the drill bit to keep it from overheating. Oil will prolong life of bit and improve the drilling action.
- 3.5.3. For hard smooth surfaces use a centre punch to mark desired hole location. This will prevent bit from slipping as your start to drill.
- 3.5.4. A pilot hole may be necessary to assist the final drill size through the work piece. Lock a pilot drill (smaller size drill than the finished hole size) into the chuck. Follow steps 3.5.5 to 3.5.7. below and drill a pilot hole in the middle of the centre punch mark where final hole is to be drilled. Insert the final sized bit. Hold drill firmly and place the bit at the entrance of the pilot hole and depress the trigger.
- 3.5.5. Plug drill into mains power supply.
- 3.5.6. Hold tool firmly and place the bit tip to the point to be drilled.
- 3.5.7. Depress the trigger to start drill. Move the drill bit into the work piece applying only enough pressure to keep the bit cutting. DO NOT force or apply side pressure which will elongate the hole.

WARNING! be prepared for drill binding or break through. When these situations occur the drill has a tendency to grab and kick in the opposite direction and could cause loss of control. If you are not prepared, this loss of control can result in possible damage and/or personal injury

- 3.5.8. If the bit jams in the work piece or if the drill stalls, release the trigger switch immediately. Remove the bit from the work piece and determine the reason for jamming.
- 3.5.9. For continuous operation, depress the the trigger lock (see 3.3).
- 3.5.10. The depth gauge may be used to pre-determine the depth of hole (see 3.4).
- 3.5.11. After working for a lengthy period of time at low speed setting run drill for approximately 3 minutes with no load at highest speed.
- 3.5.12. When job is complete unplug drill from the mains, remove the drill bit, sharpen if necessary and store accordingly.

3.6. **Work complete.**

WARNING! drill bits become very hot during use. Allow to cool or hold with a cloth for removal.

When you have finished working, unplug from the mains power supply, remove the bit from the chuck, clean drill, clean and if necessary sharpen the tool bit and store in a safe dry childproof area.

4. MAINTENANCE.

4.1. **Changing the drill chuck.**

To remove the drill chuck open the chuck fully. Locate the internal screw head and undo turning the screw CLOCKWISE (left handed thread). Stop the chuck from moving by securing the the nut at the base of the chuck (fig1. 5) with a spanner.To replace the chuck reverse the above process.

4.2. **Cleaning**

Keep the drill ventilation slots clean and free from obstructions. If available blow compressed air into the vents to clear any internal dust (safety goggles must be worn when undertaking this process). Keep the outer case of the drill clean and free from grease. DO NOT wash with water or use solvents or abrasives.

4.3. **Brushes** must be changed by an authorised Sealey service agent.

Declaration of Conformity

We, the sole importer into the UK, declare that the products listed here are in conformity with the following EEC standards and directives

Variable Speed Hammer Drill
Models SD800 & SD1000

73/23/EEC Low Voltage Directive (S.I. 1994/3260)
89/336/EEC EMC Directive (S.I. 1992/2372 & Amendments)



The construction files for these products are held by the Manufacturer and may be inspected on request by contacting Jack Sealey Ltd

Signed by Mark Sweetman

2nd May 2003

For Jack Sealey Ltd.
Sole importer into the UK
of Sealey Power Tools.

NOTE: It is our policy to continually improve products and as such we reserve the right to alter data, specifications and component parts without prior notice.

IMPORTANT: No liability is accepted for incorrect use of product.

WARRANTY: Guarantee is 12 months from purchase date, proof of which will be required for any claim.

INFORMATION: For a copy of our latest catalogue and promotions, call us on 01284 757525 for and leave your full name and address including postcode.



Sole UK Distributor
Sealey Group,
Bury St. Edmunds, Suffolk.



01284 757500



01284 703534



www.sealey.co.uk



sales@sealey.co.uk