



TOPSIDE CREEPER

MODEL NO: **SCRT01**

Thank you for purchasing a Sealey product. Manufactured to a high standard, this product will, if used according to these instructions, and properly maintained, give you years of trouble free performance.

IMPORTANT: PLEASE READ THESE INSTRUCTIONS CAREFULLY. NOTE THE SAFE OPERATIONAL REQUIREMENTS, WARNINGS & CAUTIONS. USE THE PRODUCT CORRECTLY AND WITH CARE FOR THE PURPOSE FOR WHICH IT IS INTENDED. FAILURE TO DO SO MAY CAUSE DAMAGE AND/OR PERSONAL INJURY AND WILL INVALIDATE THE WARRANTY. KEEP THESE INSTRUCTIONS SAFE FOR FUTURE USE.

1. INTRODUCTION

Multi height and angle adjustments to work in comfort on high level engines on jeeps, pickups, trucks, SUV's, agricultural vehicles, and more. Work at the right height and angle in comfort, on the 60mm deep foam, heavy vinyl covered body pad. Heavy-duty steel framework, powder coat painted for an anti-scratch/rust finish. Easy-rolling Ø75mm composite swivel castors (two lockable). Folding design for easy transport and storing.

2. SAFETY

- ❑ **WARNING!** Read and understand all instructions before assembling or using the creeper. Keep this manual for safety warnings, precautions, operating or maintenance instructions.
 - * **DO NOT** spend long periods on a creeper without regular breaks (tiredness is a risk).
 - * **DO NOT** use the creeper if contaminated, e.g. with wet paint, mud, oil or snow.
 - * **DO NOT** use the creeper outside in adverse weather conditions, such as strong wind or wet conditions.
 - * **DO NOT** modify the creeper design. Only qualified service personnel should maintain or repair the tool.
 - * **DO NOT** move a creeper while mounted on it.
 - * **DO NOT** stand or sit on the chest pad deck.
 - * **DO NOT** use the creeper to work over a running engine.
 - * **DO NOT** use the tool if any parts are damaged, broken or misplaced. Only qualified service personnel to maintain or repair the tool.
 - * **DO NOT** exceed the maximum load capacity of the creeper (150kg).
 - ✓ Always ensure height adjustment bar is securely fixed in one of the three position slots prior to using (fig.4).
 - ✓ Always lock castors (fig.2) before use.
 - ✓ Lean your chest onto the deck cushion gently. Avoid causing a shock load by jumping or falling onto it.
 - ✓ Prevent damage to the creeper when transporting e.g. by fastening it. Ensure fasteners are suitably placed to prevent damage.
 - ✓ Ensure the creeper is suitable for the task to be undertaken.
 - ✓ For professional use, a risk assessment shall be carried out respecting the legislation in the country of use.
 - ✓ When positioning the creeper take into account the risk of collision with the creeper from pedestrians, vehicles or doors. Secure nearby doors (not fire exits) and windows in the work area where possible.
 - ✓ Always lock castors before mounting.
 - ✓ Keep work area clear, well lit and free of distractions and keep bystanders away from work area.
 - ✓ Wear suitable PPE for task being carried out i.e safety goggles, gloves, work wear.
- NOTE:** The maximum capacity listed (150kg) includes the user, tools, equipment and personal items.

2.1. SAFETY SYMBOLS



WARNING: Falling from creeper.
This warning sign shall appear on each marking on the creeper at the first place.



Refer to instruction manual/booklet



Inspect the creeper after delivery. Before every use visually inspect the creeper to check it is not damaged and is safe to use.
DO NOT use a damaged creeper.



Maximum total load



DO NOT use creeper on uneven or unstable surfaces.



Maximum number of users is 1.



DO NOT ascend or descend unless you are facing the creeper.



Keep a secure grip on the creeper when ascending/descending. Maintain handhold whilst working from a creeper or take additional safety precautions if you cannot.



Avoid work that imposes a sideways load on Creeper, such as side-on drilling through solid materials.



DO NOT carry equipment which is heavy or difficult to handle when using a creeper.



DO NOT overreach.



DO NOT erect creeper on contaminated surfaces.



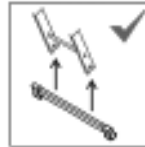
WARNING: Electrical hazard. Identify any electrical risks in the work area, such as overhead lines or other exposed electrical equipment and **DO NOT** use the creeper where electrical risks occur.



Use non-conductive materials for unavoidable live electrical work.



DO NOT use the creeper as a bridge.



If a creeper is delivered with stabilizer bars The bars should be fixed by the user before The first use. This shall be described on the creeper and in the user instruction.



DO NOT use creeper for tasks it is not intended for.



Creeper for professional and domestic use.



Use only when brake is activated.



DO NOT wear unsuitable footwear when working on creeper.



DO NOT use the creeper if you are not fit enough. Certain medical conditions or medication, alcohol or drug abuse could make creeper use unsafe.



WARNING:

Open the creeper fully before use.



Use the creeper with restraint devices engaged only.



Standing creepers shall not be used as a leaning creeper unless it is designed to do so.



DO NOT stand on the top two steps/rungs of a standing creeper without a platform and a hand/knee rail.



Horizontal surfaces which look like a platform but are not designed for standing on (e.g. a plastic work tray) shall be clearly indicated on their surface.



DO NOT step off the side of standing creeper onto another surface.

3. SPECIFICATION

Model No.: SCRT01
Capacity: 150kg
Net weight: 29kg
Size: L-1375, W-Front 775 x Rear 750, H-1140 - 1680mm

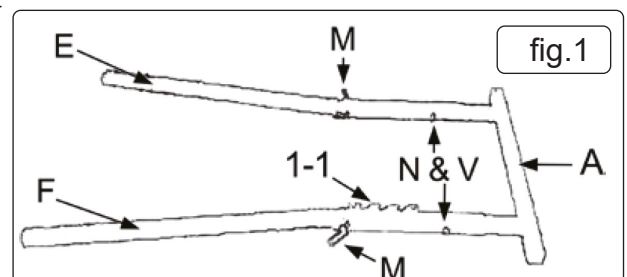
4. ASSEMBLY

4.1. Remove the parts and accessories from the packaging and inspect for damage. Make sure that all items in the contents are included.

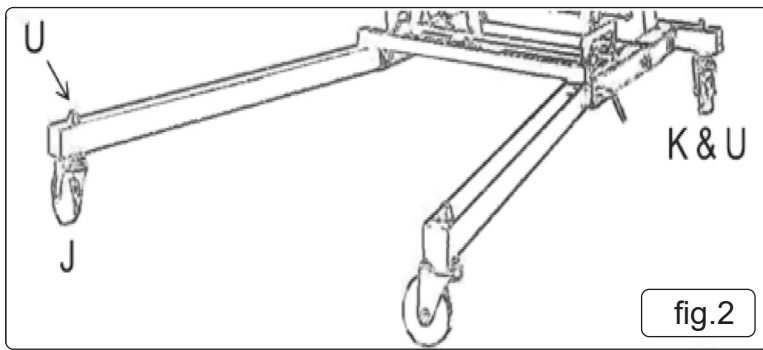
❑ **WARNING! DO NOT** operate the tool if any part is missing. Replace the missing part before operating. Failure to do so could result in

NOTE: Letter references in parenthesis (i.e. A) refer to the Parts Information.

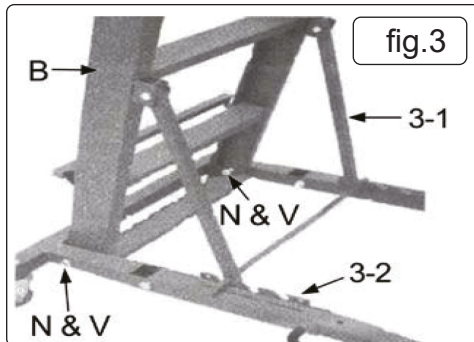
4.2. Assemble the right and left legs (E & F) (fig.1) to the base frame (A). frame's openings and align the bolt holes. The height adjustment notches (fig. 1-1) will be on the inside and the legs must angle outwards. Secure each leg with a frame bolt (N) and locknut (V). Insert two leg lock pins (M) and push ends down to secure the legs.



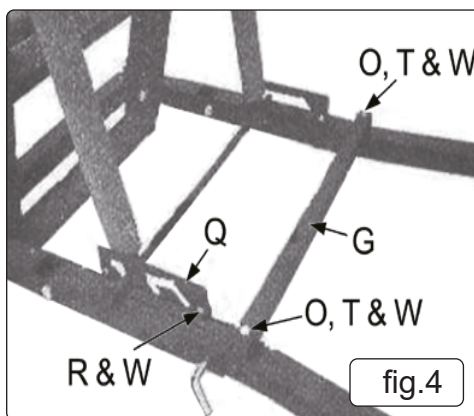
- 4.3. Attach the front castors (J) (fig.2) by inserting the stem of each castor through the end of each leg and securing it with a flange nut (U). Install rear locking castors (K) to base frame in same manner. Lock rear wheels in place for the remainder of the installation.



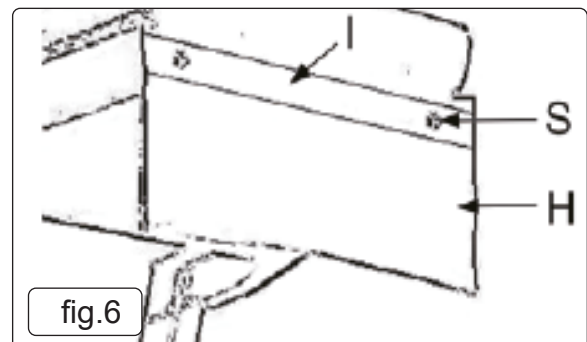
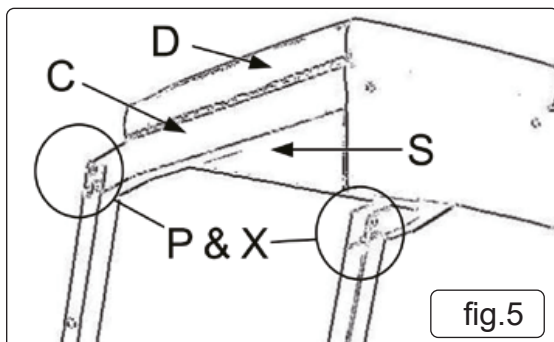
- 4.4. Install the ladder assembly (B) by inserting a frame bolt (N) through each side of the base frame and lower ladder assembly. Secure each bolt with a lock nut (V). Swing the ladder's angle support (fig. 3-1) into the height adjustment notches (fig. 3-2). Make sure the crossbar is firmly in place.



- 4.5. Place the leg cross support (G) (fig.4) on both legs (E & F) (fig.1), aligning bolt holes. Insert cross support bolt (O) through each end of leg cross support and leg. Slide a washer (T) over one bolt and secure with a lock nut (W). Repeat with the other cross support bolt.
- 4.6. Attach the height plate (Q) (fig.4). Match the angled opening with the adjustment notches. Insert a height adjustment plate bolt (R) through the bolt hole at each end of the plate. Secure each bolt with a locknut (W). Repeat on the other side.



- 4.7. Attach the chest deck frame (C) (fig.5) to the top of the ladder assembly (B) using three chest frame bolts (P) and locknuts (X) on each side. Attach the chest deck pad (D) using two cross head screws (S) from underneath.



- 4.8. Place the pouch bracket (I) (fig.6) over the pouch (H) and align the screw holes. Insert a cross head screw (S) through the screw holes. Line up protruding screws with the holes in the deck frames front panel. Secure the pouch to the deck frame with the screws.

5. OPERATION

- WARNING!**: Read and understand all instructions before assembling or using the creeper.
- * **DO NOT** make any adjustment whilst anyone is mounted on the creeper.
- ✓ Undertake a risk assessment of task and work area before commencing any task.
- ✓ Ensure the creeper is correctly and safely assembled and undamaged before use.
- WARNING!**: Keep hands and fingers clear while adjusting the height of the creeper pad.
- ✓ Position the creeper to enable safe access to the area of interest.
- ✓ Ensure bumper pads (item L on Parts Info.) are placed over angle support arms and ladder assembly (item B on Parts Info.) to prevent scuffing of vehicle.
- ✓ Ensure castors are locked before using the creeper.

5.1. ADJUSTING ANGLE LEAN-IN

- 5.1.1. There are three different lean-in angles that allow the user to adjust positioning. This helps the user to maximize safety and productivity. To adjust angle lean-in:
 - 5.1.2. Lock castors (fig.2 - K) by pressing the lock tab with your foot on each of the locking castors.
 - 5.1.3. Push back on the climbing section (fig.3-1).
 - 5.1.4. Move angle adjustment to one of the three notches located on the base.

5.2. CHANGING WORKING HEIGHT

- 5.2.1. The working height of the creeper is adjustable from 110cm to 172cm to suit work requirements.
- 5.2.2. To change the working height, lock castors (fig.2 - K) by pressing the lock tab with your foot on each of the locking castors.
- 5.2.3. Grasp a step within the sliding section with one hand while using the other hand to pull one of the spring loaded locking pins outward. Rotate the pin so it does not slide back into the locking slot.
- 5.2.4. Repeat step 5.2.3 on the other side of the sliding section to remove the second spring loaded locking pin.
IMPORTANT: firmly hold a step within the sliding section when the second spring loaded locking pin is removed from the locked position. This prevents the sliding section from free falling which could cause serious personal injury.
- 5.2.5. While holding a step within the sliding section with one hand guide one of the spring loaded locking pins into its corresponding hole in the outside rail.
- 5.2.6. While holding the sliding section, move it up or down as needed until the locking pin drops into one of the height adjustment holes located in the side rails of the sliding section.
- 5.2.7. Guide and insert the second spring loaded locking pin through both the outside rail and oval shaped hole of inside sliding section rail.

6. MAINTENANCE

- 6.1. Maintain the tool with care. A tool in good condition is efficient, easier to control and will have fewer problems.
- 6.2. Inspect the tool components periodically. Repair or replace damaged or worn components. Only use identical replacement parts when servicing.
- 6.3. Maintain the tool's labels and name plates. These carry important information.
 - WARNING!** Only qualified service personnel should repair the tool. An improperly repaired tool may present a hazard to the user and/or others.
- 6.4. **CLEANING**
 - 6.4.1. Wipe clean as needed. Use mild upholstery cleaner (not caustic) to clean the chest deck pad as needed.
- 6.5. **LUBRICATION**
 - * **DO NOT** lubricate castors. This can damage the mechanism.

7. STORAGE

- 7.1. Remove the leg lock pins from each leg. Hold the ladder when removing the second pin as the base frame will fall to the floor. Store the pins in the creeper's pouch.
- 7.2. Push the creeper's angle support arms back towards the creeper.
- 7.3. Lift each leg up until it rests next to the creeper assembly.
- 7.4. Store in a safe, dry location. Keep tools out of reach of children.
- 7.5. Store the creeper vertically. Make sure the rear castors are locked once it is in place.
- 7.6. **REMOVAL FROM STORAGE**
 - 7.6.1. Lower each leg.
 - 7.6.2. Pull the creeper's angle support arms forward to settle in a height adjustment notch.
 - 7.6.3. Remove the leg lock pins from the pouch.
 - 7.6.4. Lift the base frame and push the leg down until it the bolt holes align. Push the leg lock pin through and turn the end down. Repeat with the other leg.
 - 7.6.5. Unlock the rear castors and it is ready for use.



ENVIRONMENT PROTECTION

Recycle unwanted materials instead of disposing of them as waste. All tools, accessories and packaging should be sorted, taken to a recycling centre and disposed of in a manner which is compatible with the environment. When the product becomes completely unserviceable and requires disposal, drain any fluids (if applicable) into approved containers and dispose of the product and fluids according to local regulations.



REGISTER YOUR PURCHASE HERE

Note: It is our policy to continually improve products and as such we reserve the right to alter data, specifications and component parts without prior notice.

Important: No Liability is accepted for incorrect use of this product.

Warranty: Guarantee is 12 months from purchase date, proof of which is required for any claim.

Sealey Group, Kempson Way, Suffolk Business Park, Bury St Edmunds, Suffolk. IP32 7AR



01284 757500



sales@sealey.co.uk



www.sealey.co.uk