

Thank you for purchasing a Sealey Product. Manufactured to a high standard this product will, if used according to these instructions and properly maintained, give you years of trouble-free performance



IMPORTANT: PLEASE READ THESE INSTRUCTIONS CAREFULLY. NOTE THE SAFE OPERATIONAL REQUIREMENTS, WARNINGS AND CAUTIONS. USE THIS PRODUCT CORRECTLY AND WITH CARE FOR THE PURPOSE FOR WHICH IT IS INTENDED. FAILURE TO DO SO MAY CAUSE DAMAGE AND/OR PERSONAL INJURY AND WILL INVALIDATE THE WARRANTY. PLEASE KEEP INSTRUCTIONS SAFE FOR FUTURE USE.

1. SAFETY INSTRUCTIONS

1.1 GENERAL SAFETY

- ✓ **WARNING!** Ensure Health & Safety, local authority, and general workshop practice regulations are adhered to when using this seat.
- ✓ Locate seat in a suitable working area.
- ☐ **WARNING!** Use seat on level and solid ground, preferably concrete.
- ✓ Keep the seat clean and tidy in accordance with good workshop practice.
- ✗ **DO NOT** use the seat for any purpose other than that for which it is designed.
- ✗ **DO NOT** stand on the seat.
- ✗ **DO NOT** use the seat outdoors.
- ✗ **DO NOT** get the seat wet or use in damp or wet locations or areas where there is condensation.
- ✗ **DO NOT** clean the seat with any solvents which may damage the paint surface or the protective coating on the padded seat base.
- ✗ **DO NOT** exceed maximum capacity of 150kg.

2. INTRODUCTION AND SPECIFICATION

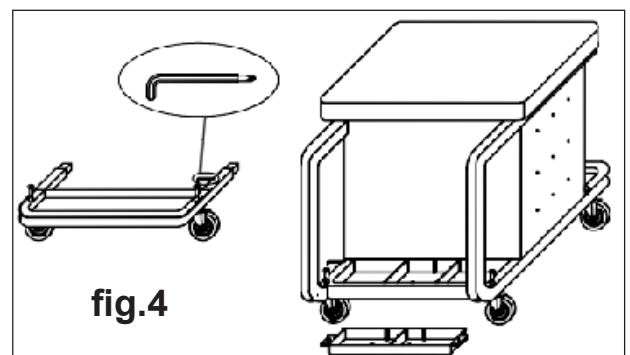
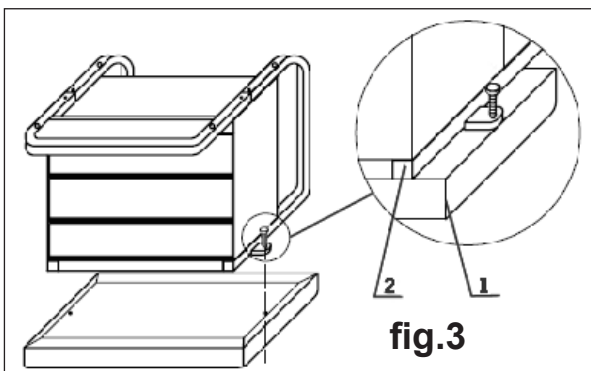
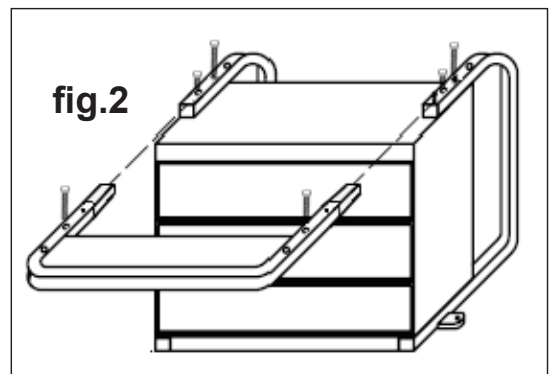
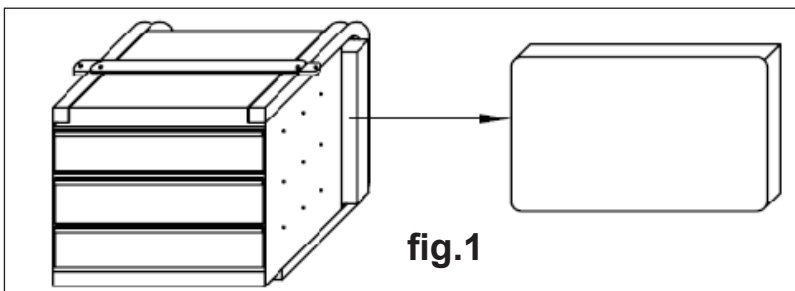
Heavy steel framework with powder-coated finish. Easy rolling Ø60mm rubber castors with ball bearing swivel. Fitted with three drawer cabinet with ball bearing runners for easy access and storage of tools and components whilst working.

Specifications

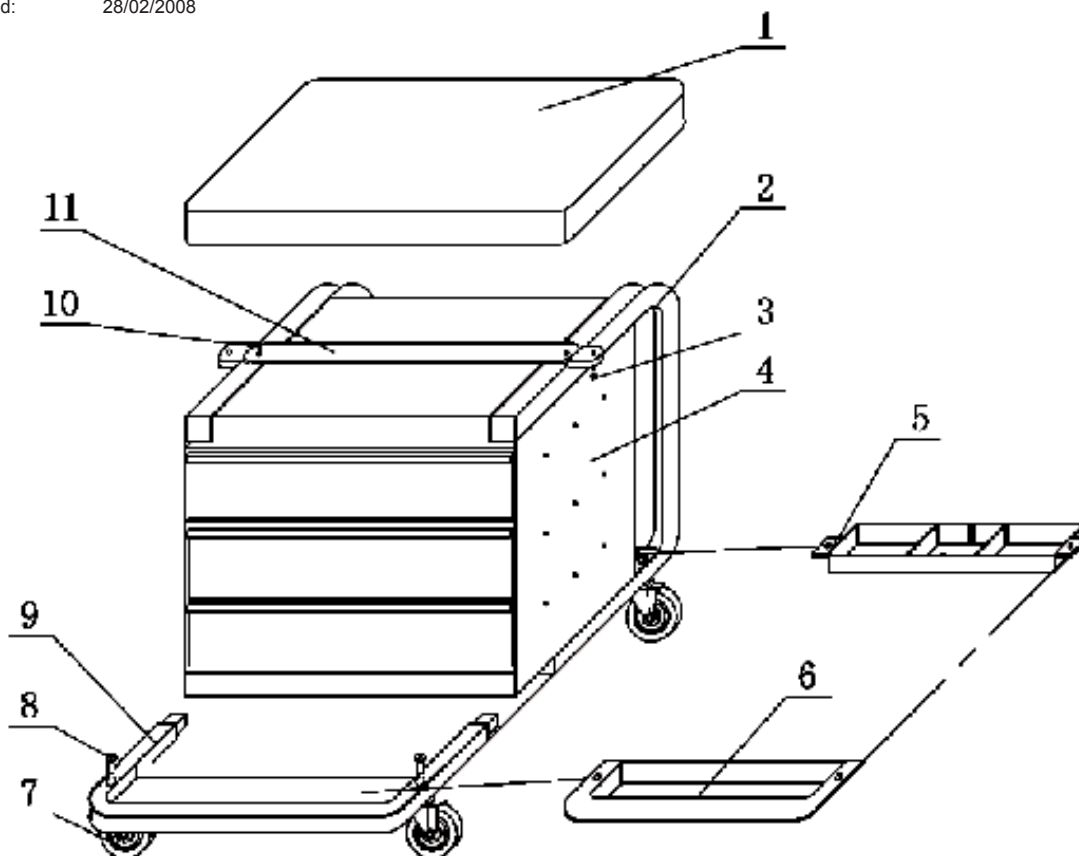
Max. Capacity: 150kg
 Overall Size (W x D x H): 405 x 465 x 430mm
 Drawer Size x3 (W x D x H): 320 x 195 x 58mm

3. ASSEMBLY

- 4.1 Start by removing the seat cushion that is located in the frame (fig.1).
- 4.2 Turn the chest unit upside down and slide the front framework spigots into the rear framework, secure the front and rear framework together with 2 small screws, as pictured (fig.2).
- 4.3 Still upside down place the chest unit on top of the seat cushion and secure with the two large screws, see fig.3.
- 4.4 Turn the seat upright. Place the front tray on to the framework as in fig.4. Take the castors and slot them through the frame from the underside of the unit, secure by passing the castor nut (M8x24) through the tray and screwing onto the castor. Repeat for back tray.
- 4.5 The product is now ready to use.



Issue: 1
 Date Issued: 28/02/2008



ITEM	PART NO	DESCRIPTION
1	SCR9D.01	Seat cushion
2	SCR9D.02	Side frame pipe
3	SCR9D.03	Bolt M6x20
4	SCR9D.04	Kit component
5	SCR9D.05	Back plastic tray
6	SCR9D.06	Front plastic tray
7	SCR9D.07	2.5" swivel caster
8	SCR9D.08	Nut M8x24
9	SCR9D.09	Liner component
10	SCR9D.10	Self-tapping screw 4.2x11
11	SCR9D.11	Connecting plate

NOTE: It is our policy to continually improve products and as such we reserve the right to alter data, specifications and component parts without prior notice.

IMPORTANT: No liability is accepted for incorrect use of product.

WARRANTY: Guarantee is 12 months from purchase date, proof of which will be required for any claim.

INFORMATION: For a copy of our latest catalogue and promotions call us on 01284 757525 and leave your full name and address, including postcode.