



STAND HANDLES FOR SCR84

MODEL NO: **SCR84.F**

Thank you for purchasing a Sealey product. Manufactured to a high standard, this product will, if used according to these instructions, and properly maintained, give you years of trouble free performance.

IMPORTANT: PLEASE READ THESE INSTRUCTIONS CAREFULLY. NOTE THE SAFE OPERATIONAL REQUIREMENTS, WARNINGS & CAUTIONS. USE THE PRODUCT CORRECTLY AND WITH CARE FOR THE PURPOSE FOR WHICH IT IS INTENDED. FAILURE TO DO SO MAY CAUSE DAMAGE AND/OR PERSONAL INJURY AND WILL INVALIDATE THE WARRANTY. KEEP THESE INSTRUCTIONS SAFE FOR FUTURE USE.



Refer to instructions



Wear protective gloves



Wear eye protection

1. SAFETY

- WARNING!** Ensure Health & Safety, local authority, and general workshop practice regulations are adhered to when using a creeper.
- Locate creeper in a suitable working area.
- WARNING!** Use creeper on level and solid ground, preferably concrete.
- Keep the creeper clean and tidy in accordance with good workshop practice.
- DO NOT** use the creeper for any purpose other than that for which it is designed.
- DO NOT** stand on the creeper.
- DO NOT** get the creeper wet or use in damp or wet locations or areas where there is condensation.
- DO NOT** clean the creeper with any solvents which may damage the paint surface or padded areas.

2. INTRODUCTION

Stand handles for the SCR84 and similar creepers, that allow the creeper to be stored vertically. Saving valueable space in a garage or workshop. Steel frame with powder coat paint finish. Simply connect to your existing creeper with a single bolt.

3. SPECIFICATION

Model No:	SCR84.F
Nett Weight:	0.48kg

4. ASSEMBLY

- 4.1. Remove the stand handles from the protective packaging.
- 4.2. Lay the parts out on the floor and position the creeper ready to assemble the stand handles.
- 4.3. Locate the mounting holes on the creeper's frame. See fig.1.
- 4.4. Attach one castor wheel to the bottom of the creeper's frame, and one stand handle to the top each side. See fig.1.
- 4.5. Attach supplied crush washer and lock nut to each castor wheel bolt. Tighten lock nut using the supplied hex key wrench.

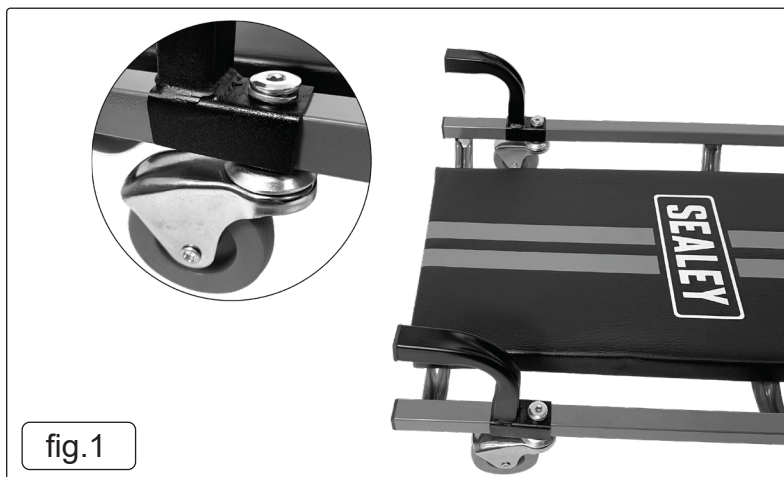


fig.1

5. MAINTENANCE

Before each use inspect the overall condition of the creeper for broken, cracked or bent parts that may effect the proper operation.



ENVIRONMENT PROTECTION

Recycle unwanted materials instead of disposing of them as waste. All tools, accessories and packaging should be sorted, taken to a recycling centre and disposed of in a manner which is compatible with the environment. When the product becomes completely unserviceable and requires disposal, drain any fluids (if applicable) into approved containers and dispose of the product and fluids according to local regulations.



REGISTER YOUR
PURCHASE HERE

Note: It is our policy to continually improve products and as such we reserve the right to alter data, specifications and component parts without prior notice.

Important: No Liability is accepted for incorrect use of this product.

Warranty: Guarantee is 12 months from purchase date, proof of which is required for any claim.

Sealey Group, Kempson Way, Suffolk Business Park, Bury St Edmunds, Suffolk. IP32 7AR



01284 757500



sales@sealey.co.uk



www.sealey.co.uk