



# CREEPER WITH ADJUSTABLE HEADREST 40"

MODEL NO: **SCR74.V4**

Thank you for purchasing a Sealey product. Manufactured to a high standard, this product will, if used according to these instructions, and properly maintained, give you years of trouble free performance.

**IMPORTANT:** PLEASE READ THESE INSTRUCTIONS CAREFULLY. NOTE THE SAFE OPERATIONAL REQUIREMENTS, WARNINGS & CAUTIONS. USE THE PRODUCT CORRECTLY AND WITH CARE FOR THE PURPOSE FOR WHICH IT IS INTENDED. FAILURE TO DO SO MAY CAUSE DAMAGE AND/OR PERSONAL INJURY AND WILL INVALIDATE THE WARRANTY. KEEP THESE INSTRUCTIONS SAFE FOR FUTURE USE.



Refer to  
instructions



Wear protective  
gloves

## 1. SAFETY

- WARNING!** Ensure Health & Safety, local authority, and general workshop practice regulations are adhered to when using this creeper.
- Locate creeper in a suitable working area.
- WARNING!** Use creeper on level and solid ground, preferably concrete.
- Keep the creeper clean and tidy in accordance with good workshop practice.
- DO NOT** use the creeper for any purpose other than that for which it is designed.
- DO NOT** stand on the creeper.
- DO NOT** get the creeper wet or use in damp or wet locations or areas where there is condensation.
- DO NOT** clean the creeper with any solvents which may damage the paint surface or padded areas.

## 2. INTRODUCTION

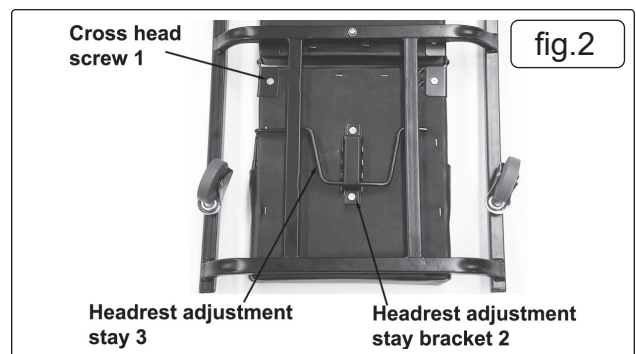
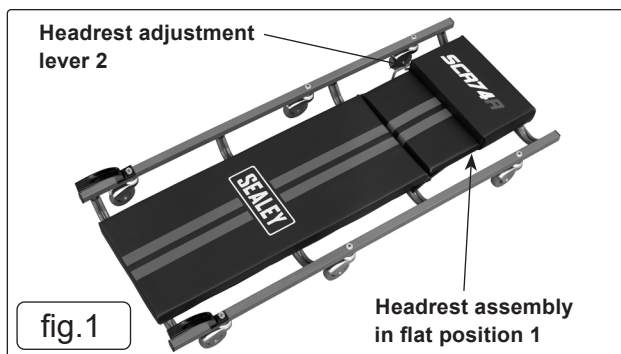
Heavy-duty steel framework with powder coat paint finish. Easy-rolling Ø63mm composite castors with ball-bearing swivels. Vinyl covered back and headrest. Headrest is adjustable for comfort. Stand handles/feet for upright storage.

## 3. SPECIFICATION

Model No:	SCR74.V4
Capacity:	180kg
Nett Weight:	6.8kg
Size(s):	1020 x 425 x 195mm

## 4. ASSEMBLY

- 4.1. Screw on headrest assembly using two cross head screws (fig 2 - 1) to fix hinges to headrest.
- 4.2. Move headrest adjustment stay to position shown (fig 2 - 3). Screw bracket (fig 2 - 2) onto adjuster assembly.



## 5. OPERATION

- WARNING!** If you raise the vehicle to work under it, set the vehicle on jack stands.
  - DO NOT** work under a vehicle raised on a jack(s).
  - If the vehicle is on the ground, block the tyres, apply the handbrake and put it into gear or Park mode.
- 5.1. Adjust the headrest (fig 1 - 1) using the adjustment lever (fig 1 - 2) so the headrest is laying flat.
  - 5.2. Keep your head flat on the headrest as you slide under the vehicle, and then adjust the headrest to a comfortable angle, using the adjustment lever (fig 1 - 2).
  - 5.3. Lower the headrest to the flat position (fig 1 - 1) prior to sliding out from under the vehicle.

## 6. MAINTENANCE

Before each use inspect the overall condition of the creeper for broken, cracked or bent parts that may effect the proper operation.



#### ENVIRONMENT PROTECTION

Recycle unwanted materials instead of disposing of them as waste. All tools, accessories and packaging should be sorted, taken to a recycling centre and disposed of in a manner which is compatible with the environment. When the product becomes completely unserviceable and requires disposal, drain any fluids (if applicable) into approved containers and dispose of the product and fluids according to local regulations.

**Note:** It is our policy to continually improve products and as such we reserve the right to alter data, specifications and component parts without prior notice. Please note that other versions of this product are available. If you require documentation for alternative versions, please email or call our technical team on [technical@sealey.co.uk](mailto:technical@sealey.co.uk) or 01284 757505.

**Important:** No Liability is accepted for incorrect use of this product.

**Warranty:** Guarantee is 12 months from purchase date, proof of which is required for any claim.



REGISTER YOUR  
PURCHASE HERE

Sealey Group, Kempson Way, Suffolk Business Park, Bury St Edmunds, Suffolk. IP32 7AR



01284 757500



[sales@sealey.co.uk](mailto:sales@sealey.co.uk)



[www.sealey.co.uk](http://www.sealey.co.uk)