

Thank you for purchasing a Sealey Product. Manufactured to a high standard this product will, if used according to these instructions and properly maintained, give you years of trouble-free performance.



**IMPORTANT: PLEASE READ THESE INSTRUCTIONS CAREFULLY. NOTE THE SAFE OPERATIONAL REQUIREMENTS, WARNINGS AND CAUTIONS. USE THIS PRODUCT CORRECTLY AND WITH CARE FOR THE PURPOSE FOR WHICH IT IS INTENDED. FAILURE TO DO SO MAY CAUSE DAMAGE AND/OR PERSONAL INJURY AND WILL INVALIDATE THE WARRANTY. PLEASE KEEP INSTRUCTIONS SAFE FOR FUTURE USE.**

## 1. SAFETY INSTRUCTIONS

### 1.1 GENERAL SAFETY

- ❑ **WARNING!** Ensure Health & Safety, local authority, and general workshop practice regulations are adhered to when using this stool.
- ✓ Locate stool in a suitable working area.
- ❑ **WARNING!** Use stool on level and solid ground, preferably concrete.
- ✓ Keep the stool clean and tidy in accordance with good workshop practice.
- ✗ **DO NOT** use the stool for any purpose other than that for which it is designed.
- ✗ **DO NOT** stand on the stool.
- ✗ **DO NOT** use the stool outdoors.
- ✗ **DO NOT** get the stool wet or use in damp or wet locations or areas where there is condensation.
- ✗ **DO NOT** clean the stool with any solvents which may damage the plated surface or the protective coating on the padded seat base.

## 2. SPECIFICATIONS & CONTENTS

Four legged heavy-duty steel construction with a polished Chrome plate finish for anti-corrosion resistance. Two strengthening rings for stability, lower one also acts as a foot rest. Features pneumatic height adjustment, Ø350mm padded swivel seat and padded back rest for comfort and ease when turning to and from point of work.

**Specifications:** Height: . . . 730 - 860mm  
 Capacity: . . . . .136kg  
 Weight: . . . . .5kg

Ref.	Description	Quantity
A	Backrest	1
B	Seat	1
C	Pneumatic piston	1
D	Hub	1
E	Hub Plate	1
F	Leg	4
G	Seat Frame	2
H	Upper Ring	1
I	Footrest Ring	1
J	Bolt and nut (Phillips head)	8
K	Bolt and nut (Hex head)	4
L	Hand Screw	2

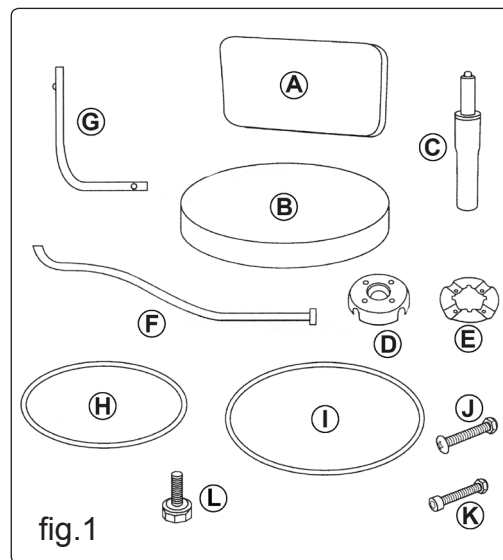


fig.1

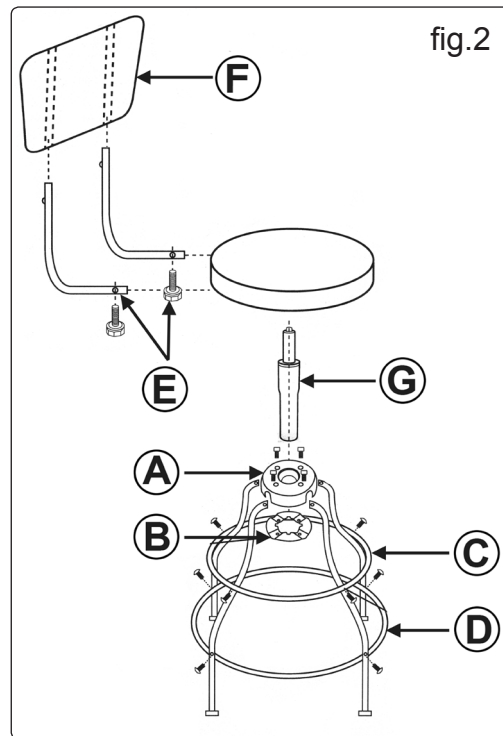


fig.2

## 3. ASSEMBLY

- 3.1 Take the four legs and slot them into the central hub, encase the legs into the hub with the hub plate (fig.2B) and use four hex head bolts and nuts to secure. See fig.2A / fig.2B.
- 3.2 Attach the upper ring with four phillips bolts and nuts. See fig.2C.
- 3.3 Attach the lower footrest ring with four phillips bolts and nuts, ensure the ring is attached on the inside of the frame. See fig.2D.
- 3.4 Slide the pre-drilled end of the seat frames into the hole in the seat base. Secure with the hand screws. See fig.2E.
- 3.5 Slide the backrest over the other end of the seat frame until the spring loaded tabs are seated and a 'click' is heard. See fig.2F.
- 3.6 Insert the larger end of the pneumatic cylinder into the centre hub, it is an interference fit so ensure it is pushed in with reasonable force. See fig.2G.
- 3.7 Take the seat assembly and push it onto the pneumatic cylinder.

**NOTE:** It is our policy to continually improve products and as such we reserve the right to alter data, specifications and component parts without prior notice.

**IMPORTANT:** No liability is accepted for incorrect use of this product.

**WARRANTY:** Guarantee is 12 months from purchase date, proof of which will be required for any claim.

**INFORMATION:** For a copy of our latest catalogue and promotions call us on 01284 757525 and leave your full name and address, including postcode.

