



# CRANE 1 TONNE LONG REACH EXTENDABLE LEGS

MODEL NO: **SC10LR.V2**

Thank you for purchasing a Sealey product. Manufactured to a high standard, this product will, if used according to these instructions, and properly maintained, give you years of trouble free performance.

**IMPORTANT:** PLEASE READ THESE INSTRUCTIONS CAREFULLY. NOTE THE SAFE OPERATIONAL REQUIREMENTS, WARNINGS & CAUTIONS. USE THE PRODUCT CORRECTLY AND WITH CARE FOR THE PURPOSE FOR WHICH IT IS INTENDED. FAILURE TO DO SO MAY CAUSE DAMAGE AND/OR PERSONAL INJURY AND WILL INVALIDATE THE WARRANTY. KEEP THESE INSTRUCTIONS SAFE FOR FUTURE USE.



Refer to instructions



Wear protective gloves



Wear safety footwear

## 1. SAFETY

- ✓ Keep crane, lifting slings, support and beams in good working order and condition. Follow the inspection requirements as described in Section 6 Maintenance. Take immediate action to repair or replace damaged parts by contacting your supplier. Ensure that all accessory lifting devices are suitably certified. If crane is damaged, remove from service immediately.
- ✓ **Ensure the surface on which the crane is used is level, firm and capable of supporting the weight of the crane with maximum load - we recommend concrete. Never use the crane on tarmacadam or other soft surfaces.**
- ✓ Ensure the crane legs and arms are locked before use.
- ✓ Keep children and unauthorised persons away from the working area.
- ✓ Keep working area clean and tidy, free from unrelated materials and ensure that there is adequate lighting.
- ✓ Ensure that load does not exceed the maximum lifting capacity of the crane. Overloading the crane is dangerous. Where appropriate, use only the lifting points recommended by the manufacturer of the item to be lifted, e.g. vehicle engine.
- ✓ Before lifting the load ensure that the crane jib is in the lowest practical position, that there are no obstacles which may snag the load whilst it is being lifted and that the area above the jib is clear.
- ✓ To avoid injury, be fully aware of your own and other persons locations in relation to the lifting, and lowering, of the load.
- ✓ Keep a sound footing and balance, and ensure the floor is not slippery.
- ✓ Ensure jib extension locking bolt and nut are in position before lifting.
- ✓ Ensure the centre of gravity always remains inside the crane base.
- \* **DO NOT** harness the load at an angle or use any attachments not verified as fit for purpose.
- \* **DO NOT** allow the load to swing during lifting.
- \* **DO NOT** allow the load to drop suddenly. Lower load with care, ensuring that you are fully aware of the condition of the surface onto which the load is to be placed.
- \* **DO NOT** load crane beyond its rated capacity for each specified jib extension position as indicated in Section 3. The capacity of the crane reduces as the jib is extended.
- \* **DO NOT** position any part of your body beneath the load.
- \* **DO NOT** use the crane to move or transport a load other than for repositioning. The crane is a lifting device only.
- \* **DO NOT** apply any sideways pressure to any part of the crane during lifting or when a load is suspended.
- \* **DO NOT** attempt to adjust the safety valve, which has been set and sealed by the manufacturer.
- \* **DO NOT** use this product to perform a task for which it is not designed.
- \* **DO NOT** use whilst under the influence of drugs, alcohol or intoxicating medication.
- \* **DO NOT** climb on the crane.
- ✓ **When** not in use fold the crane down and store in a safe, dry, childproof area.
- ✓ **This crane is designed for lifting within a garage or workshop environment.**
- ☐ **WARNING! Failure to heed safety and warning instructions may result in damage and/or personal injury and will invalidate the warranty.**

## 2. INTRODUCTION

Delivered in knock-down form for reduced freight cost. Heavy-duty front and rear castors are on extendable legs to give improved stability, particularly when operating at maximum jib extension of 1500mm. Side pump access with removable handle.



## 2.1. IDENTIFICATION:

Supplier: Sealey Power Products,  
Kempson Way,  
Suffolk Business Park,  
Bury St Edmunds,  
Suffolk,  
IP32 7AR.

Model No: SC10LR.V2

## 3. SPECIFICATION

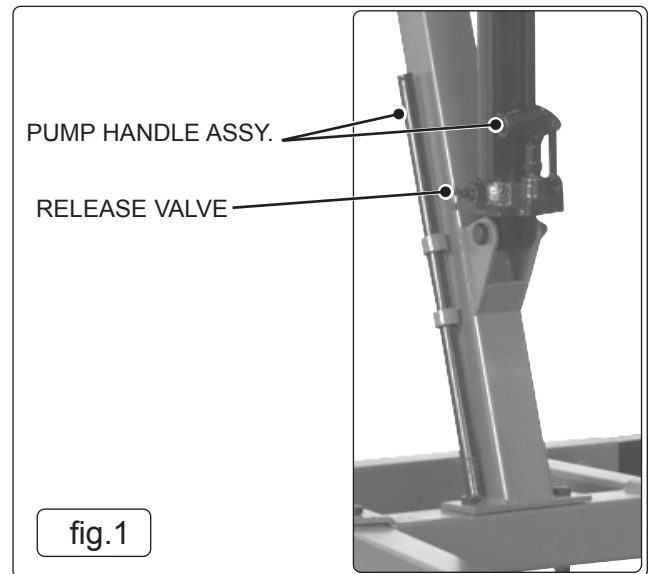
### TECHNICAL DATA

#### Rated Capacity

Safe Working Load (SWL) 1t (tested to 50% overload).

Lifting Capacity in Position 1: .....	1000kg
Lifting Capacity in Position 2: .....	750kg
Lifting Capacity in Position 3: .....	500kg
Lifting Capacity in Position 4: .....	250kg

- 3.1.1. For a description of in-service and out-of-service conditions see Section 1 Safety, Section 6 Maintenance.
- 3.1.2. The crane is fitted with a bypass valve that will prevent the ram from over extending.
- 3.1.3. For applications see Section 1 Safety.
- 3.1.4. For control system, see fig.1 for release valve, pump assembly and handle. Operation is explained in Section 5.
- 3.1.5. For ground condition requirements, see Section 1 Safety.
- 3.1.6. For information on parts and materials requiring specialised repair techniques see Section 6 Maintenance.



## 4. ASSEMBLY

### 4.1. ASSEMBLY Numbers refer to Parts Diagram

Leave fixings loose until the crane is fully assembled then tighten securely.

It is recommended two people assemble the crane as follows:

- a) Lay out all the parts in the appropriate positions ready for assembly.
- b) When assembling, fit a plain washer, then a locking washer before fitting nuts onto bolts.
- c) Bolt legs (3) to frame base (9).
- d) Insert leg extensions (1) (26), secure by winding in retention bolts.
- e) Fit wheels. **NOTE:** Chock or secure crane to stop it moving around during the rest of the assembly process.
- f) Fit main post brace (4), main support post (25) and struts (24). Make sure to secure the struts (24) the inside of frame (9).
- g) Fit hydraulic ram (23).
- h) Fit hook and chain (10).
- i) Check all nuts and bolts are tight.
- j) Push the assembled crane into the working position ensure that all four wheels are in contact with the floor.
- k) Before using crane place the pumping handle (22) onto the release valve and turn to the left. With the handle inserted in the pump socket, pump 10-15 times through the full stroke, thus bleeding any air which may have entered during transit.

### 4.2. STORAGE.

- a) Always store the crane fully closed so that the jib is in lowest position and the ram is closed.

## 5. OPERATION

### 5.1. OPERATION. (Refer to Section 6.2 (a) regarding inspection before each and every use).

- a) Use the pump handle recess to tighten the release valve, turning firmly clockwise.
- b) Place handle into pump socket and pump, the jib will raise. Continue to pump until the jib reaches the height at which the load can be secured.
- c) Connect the crane hook to the load using a suitable sling or support beam. Be aware of the load weight, and check that it is within the capacity of the crane (at the jib extension you are using) and the sling or support beam. When removing engines ensure you know the weight. Use only the lifting points recommended by the vehicle manufacturer.
- d) Lift only from directly above the load. **WARNING! DO NOT LIFT THE LOAD AT AN ANGLE!**
- e) To lower load, position handle on release valve at base of ram and turn VERY SLOWLY anti-clockwise avoiding any sudden movement.
  - WARNING! DO NOT** allow the load to drop suddenly.
- f) The crane is not a transportation device but may be used to reposition the load being worked on. To do so, lower load and jib with care, to the lowest possible point before attempting to move. **DO NOT** try to move crane in a sideways direction. The crane is not designed to support the load indefinitely. When you have repositioned the load, lower the load onto a secure and appropriate working base, being fully aware of your own and other persons locations in relation to the lowering load.
- g) When load has been secured, remove lifting sling, support beam etc. and place crane in a safe location with lifting beam fully lowered.

## 6. MAINTENANCE

**NOTE:** The crane **MUST** be kept clean and dry and must be maintained in accordance with these instructions.

### 6.1. LUBRICATION.

- a) Oil all working parts monthly.
- b) The ram is filled with oil and should only require occasional topping up. For the occasional top up **DO NOT** use brake fluid, as this will damage the hydraulic seals. Proceed as follows:

- 1) Use only good quality hydraulic jack oil available from your Sealey stockist.
- 2) **DO NOT OVERFILL** as this will cause failure.
- 3) After filling with hydraulic oil, pump the crane up to its full height and pour off any excess oil.

**6.2. INSPECTION AND EXAMINATION OF CRANE BEFORE USE.**

- a) Before each use of the crane, perform an inspection for leaks, damage, loose or missing parts.
- b) The workshop crane must be examined immediately if it has been subject to an abnormal load or shock. It is recommended that such an examination is made by an authorised service agent.
- c) The owner and/or operator must be aware that repair of this equipment will require specialised knowledge and facilities. It is recommended that an annual examination of the workshop crane is made by an authorised service agent.
- d) Unauthorised parts may be dangerous and will invalidate the warranty.

**6.3. DEFINITION OF 'INSPECTION' AND 'EXAMINATION' BELOW.**

**INSPECTION:**

Inspect the crane for defects and check the operation of controls, limiting and indicating devices without loading the crane. This check does not normally require any part of the crane to be dismantled other than removal or opening of covers or housings.

**EXAMINATION:**

Verification that the crane can safely continue in service including a functional test of all safety devices i.e. limiting, indicating equipment, brakes, clutches, safety valves etc. to verify that they operate within the required tolerances. An examination is more thorough than an inspection.

**6.4. DAMAGED CRANES.**

Any crane which appears to be damaged, badly worn, or operates abnormally **MUST BE REMOVED FROM SERVICE!** It is recommended that necessary repairs be made by an authorised service agent.



**ENVIRONMENT PROTECTION**

Recycle unwanted materials instead of disposing of them as waste. All tools, accessories and packaging should be sorted, taken to a recycling centre and disposed of in a manner which is compatible with the environment. When the product becomes completely unserviceable and requires disposal, drain any fluids (if applicable) into approved containers and dispose of the product and fluids according to local regulations.

**Note:** It is our policy to continually improve products and as such we reserve the right to alter data, specifications and component parts without prior notice.

**Important:** No Liability is accepted for incorrect use of this product.

**Warranty:** Guarantee is 12 months from purchase date, proof of which is required for any claim.

**Sealey Group, Kempson Way, Suffolk Business Park, Bury St Edmunds, Suffolk. IP32 7AR**



**01284 757500**



**01284 703534**



**sales@sealey.co.uk**



**www.sealey.co.uk**