

Thank you for purchasing a Sealey product. Manufactured to a high standard this product will, if used according to these instructions and properly maintained, give you years of trouble free performance.



**IMPORTANT: PLEASE READ THESE INSTRUCTIONS CAREFULLY. NOTE THE SAFE OPERATIONAL REQUIREMENTS, WARNINGS & CAUTIONS. USE THE PRODUCT CORRECTLY AND WITH CARE FOR THE PURPOSE FOR WHICH IT IS INTENDED. FAILURE TO DO SO MAY CAUSE DAMAGE AND/OR PERSONAL INJURY AND WILL INVALIDATE THE WARRANTY. PLEASE KEEP INSTRUCTIONS SAFE FOR FUTURE USE.**

## 1. SAFETY INSTRUCTIONS

### 1.1. ELECTRICAL SAFETY

#### REGARDING DIRECT MAINS POWER USE WITH THE TRANSFORMER PLUG.

**WARNING!** It is the user's responsibility to read, understand and comply with the following electrical instructions:

You must ensure the risk of electric shock is minimised by the installation of appropriate safety devices. An RCCB (Residual Current Circuit Breaker) should be incorporated in the main distribution board. We also recommend that an RCD (Residual Current Device) is used with all electrical products, particularly portable equipment which is plugged into an electrical supply not protected by an RCCB.

**You must** also read and understand the following instructions concerning electrical safety.

1.1.1. **The Electricity At Work Act 1989** requires all portable electrical appliances, if used on business premises, to be tested by a qualified electrician, using a Portable Appliance Tester (PAT), at least once a year.

1.1.2. **The Health & Safety at Work Act 1974** makes owners of electrical appliances responsible for the safe condition of the appliance and the safety of the appliance operator. **If in any doubt about electrical safety, contact a qualified electrician.**

1.1.3. **You must ensure that you:**

- ✓ Inspect the transformer plug, cable, and plug for wear and damage to ensure items are safe before connecting to the mains power supply. If worn or damaged **DO NOT** use and immediately replace, or contact a qualified electrician.
- ✓ Check cables are always protected against short circuit and overload.
- ✓ Important: Check that the voltage marked on the transformer plug is the same as the power supply to be used.
- ✓ Uncoil the lead from the transformer before use.
- ✓ **DO NOT** attempt to pull the transformer plug from the mains socket by the lead.
- ✓ **DO NOT** use any other type of transformer with the cabinet.
- ✓ **DO NOT** try to open or dis-assemble the transformer plug or charging base.
- ✓ **DO NOT** use the transformer plug to power any other electrical item.
- ✓ **DO NOT** get the transformer wet, or use in wet, damp conditions (for indoor use only).
- WARNING! NEVER** substitute a standard 13 amp 3 pin plug, or any other type of plug, for the transformer plug .

### 1.2 GENERAL SAFETY

**WARNING!** Ensure Health & Safety, government and local authority regulations relating to the the use of shot blasting are adhered to when using this equipment. Familiarise yourself with the applications, limitations and potential hazards peculiar to the cabinet.

**WARNING!** Disconnect the cabinet from the mains power and the air supply before attempting to change accessories or carry out any servicing or maintenance.

✓ Maintain the cabinet in good condition Replace or repair damaged parts. *Use genuine parts only. Unauthorised parts may be dangerous and will invalidate the warranty.*

✓ Locate cabinet in a suitable work area and keep area clean, tidy and free from unrelated materials. Ensure there is adequate lighting.

✓ Use only dry abrasives such as proprietary brands of glass beads, silicon carbide, aluminium oxide and silica sand. We recommend Sealey item B5KG. Never use fluids or mix fluids with another media in the unit.

**WARNING!** Always wear approved eye or face and ear protection when operating the cabinet.

✓ Keep the unit lid closed and secured when in use.

**WARNING!** Ensure correct air pressure is maintained and not exceeded. (Max 90psi).

✓ Always keep the blast nozzle directed at the workpiece. Never use outside the unit and always use with the lid closed.

✓ Regularly check that the exhaust vent at the back of the cabinet is clear and not blocked and that there is space between it and any wall.

✓ Maintain correct balance and footing. Ensure the floor is clean and free from blasting media spillage. Wear non-slip shoes.

✓ Remove ill fitting clothing. Remove ties, watches, rings, and other loose jewellery and contain and/or tie back long hair.

✓ Keep children and non-essential persons away from the work area.

✓ **DO NOT** use the cabinet for a task it is not designed to perform.

✓ **DO NOT** operate the cabinet if any parts are damaged or missing as this may cause failure and/or personal injury.

✓ **DO NOT** operate the cabinet with the lid open.

✓ **DO NOT** stand on the cabinet.

✓ **DO NOT** get the cabinet wet or use in damp or wet locations or areas where there is condensation.

✓ **DO NOT** operate the cabinet when you are tired or under the influence of alcohol, drugs or intoxicating medication.

✓ **DO NOT** leave the cabinet operating unattended.

✓ When not in use disconnect from the electrical mains and the air supply.

**NOTE! We strongly recommend that a suitable dust extraction system is used with this unit.**

**If dust extraction is not used, media may be forced out of the joints as pressure builds up. You can alleviate this to some extent by removing the white blanking plug (Fig.1) situated on the upper left corner at the rear of the tank when viewed from the front. This however will not substitute a suitable dust extraction system.**

## 2. DESCRIPTION & SPECIFICATION

Steel cabinet with replaceable viewing screen and internal illumination. Fitted with shot blasting gun and suitable for proprietary brands of glass beads, silicon carbide, aluminium oxide and silica sand only. Excellent for a wide variety of workshop and body shop cleaning applications. Requires a standard, dry workshop air supply. Supplied assembled and ready for use.

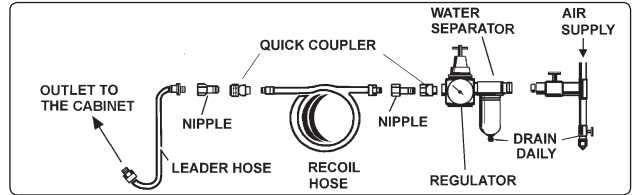
Capacity . . . . . 0.09m<sup>3</sup>  
 Operating Air Pressure . . . . . 60-90psi  
 Max Air Flow @ 80psi . . . . . 12cfm  
 Air Inlet Size . . . . . 1/4" BSP

Width/Depth/Height . . . . . 640 x 490 x 490mm  
 Door Size (One) . . . . . 530 x 440mm  
 Viewing Area . . . . . 490 x 395mm

## 3. AIR SUPPLY & ASSEMBLY

### 3.1. Air supply

- 3.1.1. You will require an air pressure of 60-90psi, and an air volume of 12cfm to operate the unit efficiently.
- 3.1.2.  **WARNING! Ensure air supply is clean, dry and does not exceed 90psi. Too high an air pressure and/or unclean or damp air will shorten the product life due to excessive wear and may be dangerous, causing possible damage and/or personal injury.**
- 3.1.3. Drain the air supply tank daily. Clean compressor air inlet filter weekly. For recommended hook-up see diagram below.
- 3.1.4. Line pressure should be increased to compensate for unusually long air hoses (over 8 metres).  
 The *minimum* hose and fittings bore should be 10mm.
- 3.1.5. Keep hoses away from heat, oil and sharp edges.  
 Check hoses for wear and poor connections.
- 3.1.6. Cabinet input connection is 1/4" BSP.



### 3.2. Assembly

**Note: Numbers in brackets refer to item numbers shown in the Parts List.**

- 3.2.1. Unpack the product and check contents. Should there be any damaged or missing parts contact your supplier immediately.
- 3.2.2. Push plastic suction hose (14) onto small diameter end of steel suction tube (15). Fit suction tube (15) under clips in base of cabinet.
- 3.2.3. Remove fitting (18) and one steel washer (17) from air hose connector (16), leaving on one steel washer (17) and rubber washer.  
 Put connector (16) through hole in side of cabinet and secure with washer (17) and fitting (18).
- 3.2.4. Remove blanking plug from rear panel Fig.1.
- 3.2.5. Fit screen (23) into cabinet with angled corner to rear right hand side, to allow suction hose (14) through.

## 4. OPERATING INSTRUCTIONS

- WARNING! Ensure you read, understand and apply safety instructions in Section 1 before using the unit.**

**NOTE! We strongly recommend that a suitable dust extraction system is used with this unit.**

**If dust extraction is not used, media may be forced out of the joints as pressure builds up. You can alleviate this to some extent by removing the white blanking plug (Fig.1) situated on the upper left corner at the rear of the tank when viewed from the front. This however will not substitute a suitable dust extraction system.**

- 4.1. Connect the air supply to the inlet on the side of the cabinet. Ensure the gun valve is in the "off" position before connecting the air supply.
- 4.2. Check all fittings to ensure there are no air leaks.
- 4.3. Pour the abrasive media into the centre of the cabinet. **DO NOT** use more than 10lbs (4.5kg). Excessive amounts of abrasive will impair visibility, create poor blasting performance and could block the air exhaust.
- 4.4. The unit is supplied with four ceramic nozzles being 4, 5, 6, & 7mm hole diameter respectively. The choice of nozzle depends on the size of the blasting media. Coarse media should be used with the larger nozzles, fine media should be used with the smaller nozzles. To fit a new nozzle, unscrew the nozzle retaining ring, remove the existing nozzle and replace with the new one.
- 4.5. Plug the transformer into mains socket and transformer lead plug into light switch box and the unit is ready for use.
- 4.6. Place the workpiece in the cabinet and close and latch the lid securely.
- WARNING! Failure to securely close the lid could result in damage and/or personal injury.**
- 4.7. Turn on light and air supply and insert hands into cabinet gloves. Grasp gun and depress the trigger to start the blasting process.
- 4.8. Move the blast media (which looks like steam) continuously over the workpiece in an even and circular motion. To avoid undesirable peening the flow should not be too hard or concentrated. The surface finish may vary from coarse to fine depending on the size of the abrasive media. On delicate workpieces, to avoid unnecessary peening or excessive abrasion, begin the blasting with a low airflow.



## 5. MAINTENANCE

- ❑ **WARNING! Ensure the cabinet is disconnected from the electrical mains and the air supply before attempting any maintenance.**
- 5.1. Ensure the blasting media does not become damp. Keep the air supply dry at all times. Dispose of any damp media.
  - 5.2. Replace media when it has become excessively dusty, loses its granular or spherical appearance, or is significantly contaminated with debris from workpieces. This is usually noticed when media from the nozzle looks like a smoke cloud rather than steam.
  - 5.3. Regularly check that the exhaust vents at the side and rear of the cabinet are clear.
  - 5.4. Regularly check gun blast nozzle to ensure it does not become blocked with media. Immediately replace worn or damaged nozzle.
  - 5.5. If abrasive pick-up hose becomes blocked, cover the gun tip to force air back through the hose. Ensure the lid is correctly closed.
  - 5.6. Replace the transparent protective sheet on the underside of the Perspex window when visibility becomes reduced.

## 6. TROUBLESHOOTING

PROBLEM	POSSIBLE CAUSE	REMEDY
Excessive dust in the cabinet.	<ol style="list-style-type: none"> <li>1. Exhaust vent or air flow is blocked.</li> <li>2. Abrasive is worn.</li> <li>3. Too much abrasive in the cabinet</li> <li>4. Loose air line or fittings.</li> </ol>	<ol style="list-style-type: none"> <li>1. Clean vent and keep vent away from any wall. Connect to a suitable dust extraction system.</li> <li>2. Replace.</li> <li>3. Remove excess.</li> <li>4. Check and tighten all air fittings.</li> </ol>
Uneven blasting.	<ol style="list-style-type: none"> <li>1. Too much abrasive in cabinet.</li> <li>2. Moisture inside cabinet.</li> </ol>	<ol style="list-style-type: none"> <li>1. Remove excess.</li> <li>2. Check air line for moisture.</li> </ol>
Inadequate speed or efficiency of blast.	<ol style="list-style-type: none"> <li>1. Abrasive is worn.</li> <li>2. Pressure is too low.</li> </ol>	<ol style="list-style-type: none"> <li>1. Replace.</li> <li>2. Check that there are no supply blockages or leaks. Increase pressure. Max:90psi</li> </ol>
Static electricity.	<ol style="list-style-type: none"> <li>1. Dry weather conditions.</li> </ol>	<ol style="list-style-type: none"> <li>1. Leave the workpiece to stand for a while.</li> </ol>
Blast pattern too wide or ineffective.	<ol style="list-style-type: none"> <li>1. Nozzle blocked or worn.</li> </ol>	<ol style="list-style-type: none"> <li>1. Unblock or replace nozzle</li> </ol>

**NOTE:** It is our policy to continually improve products and as such we reserve the right to alter data, specifications and component parts without prior notice.

**IMPORTANT:** No liability is accepted for incorrect use of this product.

**WARRANTY:** Guarantee is 12 months from purchase date, proof of which will be required for any claim.

**INFORMATION:** For a copy of our latest catalogue and promotions call us on 01284 757525 and leave your full name and address, including postcode.



Sole UK Distributor, Sealey Group,  
Kempson Way, Suffolk Business Park,  
Bury St. Edmunds, Suffolk,  
IP32 7AR



01284 757500



www.sealey.co.uk



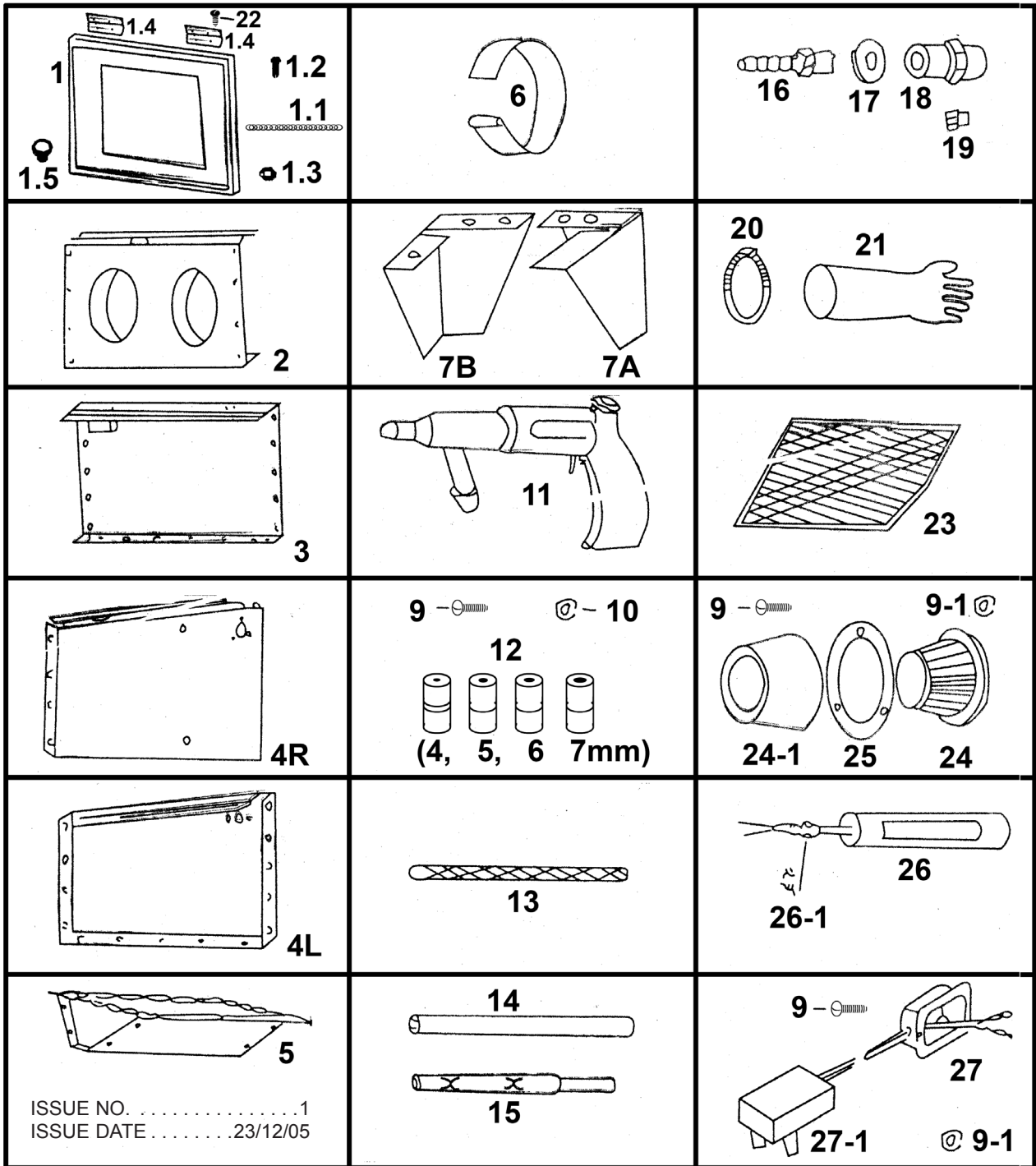
01284 703534



sales@sealey.co.uk

# SEALEY POWER PRODUCTS

PARTS INFORMATION FOR:  
**SHOT BLASTING CABINET**  
 MODEL: **SB951.V4**



ISSUE NO. ....1  
 ISSUE DATE .....23/12/05

ITEM	PART NO.	DESCRIPTION	ITEM	PART NO.	DESCRIPTION	ITEM	PART NO.	DESCRIPTION
1	SB951.V4-01	LID, TOP, TRANSPARENT	7B	SB951.V4-07B	FRONT LEG (RIGHT)	19	SB951.V4-19	HOSE CLAMP 1/4"
1-1	SB951.V4-1.1	CHAIN, TOP LID	8	SB951.V4-08	SCREW 1/4" x 3/8"	20	SB951.V4-20	GLOVE CLAMP
1-2	SB951.V4-1.2	SCREW	9	SB951.V4-09	SCREW 5/32" x 3/8"	21	SB951.V4-21	GLOVE
1-3	SB951.V4-1.3	NUT	9-1	SB951.V4-9.1	NUT 5/32"	22	SB951.V4-22	SCREW
1-4	SB951.V4-1.4	HINGE	10	SB951.V4-10	NUT	23	SB951.V4-23	SCREEN
1-5	SB951.V4-1.5	KNOB	11	SB951.V4-11	GUN	24	SB951.V4-24	AIR CLEANER
2	SB951.V4-02	FRONT PANEL	12	SB951.V4-12	CERAMIC NOZZ. (4,5,6&7mm)	24-1	SB951.V4-24.1	FILTER
3	SB951.V4-03	REAR PANEL	13	SB951.V4-13	AIR HOSE	25	SB951.V4-25	ANCHOR PLATE
4L	SB951.V4-04L	LEFT PANEL	14	SB951.V4-14	SUCTION HOSE, PLASTIC	26	SB951.V4-26	WORKLIGHT
4R	SB951.V4-04R	RIGHT PANEL	15	SB951.V4-15	SUCTION HOSE, STEEL	26-1	SB951.V4-26.1	CABLE GRIP
5	SB951.V4-05	BASE	16	SB951.V4-16	CONNECTOR, AIR HOSE	27	SB951.V4-27	SWITCH BOX
6	SB951.V4-06	LAMP CLAMP	17	SB951.V4-17	WASHER	27-1	SB951.V4-27.1	MAINS TRANSFORMER
7A	SB951.V4-07A	FRONT LEG (LEFT)	18	SB951.V4-18	AIR SUPPLY FITTING			



Sole UK Distributor  
 Sealey Group,  
 Bury St. Edmunds, Suffolk.

01284 757500  
 01284 703534

www.sealey.co.uk  
 sales@sealey.co.uk