

SEALEY

WINDOW SEALING KIT FOR AIR CONDITIONER DUCTING

MODEL NO: **SACWK1**

Thank you for purchasing a Sealey product. Manufactured to a high standard, this product will, if used according to these instructions, and properly maintained, give you years of trouble free performance.

IMPORTANT: PLEASE READ THESE INSTRUCTIONS CAREFULLY. NOTE THE SAFE OPERATIONAL REQUIREMENTS, WARNINGS & CAUTIONS. USE THE PRODUCT CORRECTLY AND WITH CARE FOR THE PURPOSE FOR WHICH IT IS INTENDED. FAILURE TO DO SO MAY CAUSE DAMAGE AND/OR PERSONAL INJURY AND WILL INVALIDATE THE WARRANTY. KEEP THESE INSTRUCTIONS SAFE FOR FUTURE USE.



Refer to instruction manual

1. SAFETY

- × **DO NOT** cover the unit with this material, and do not obstruct the air inlet and outlet grilles of the machine with items such as clothing, soft furnishings, furniture, bedding etc.
 - × **DO NOT** use the material for any purpose other than that for which it is designed.
 - × **DO NOT** use in bathroom or shower room.
 - × **DO NOT** allow children to use, when not in use, store in a safe, cool, dry, childproof area.
- NOTE:** This material is not intended for use by persons (including children) with reduced physical, sensory or mental capabilities or lack of experience and knowledge, unless they have been given supervision or instruction concerning the use of the appliance by a person responsible for their safety. Children should be supervised to ensure that they do not play with this material.

2. INTRODUCTION

Suitable for all types of hinged windows including skylights up to 300cm total perimeter. Easy to install using the supplied roll of self-adhesive hook & loop tape. Double zip makes positioning the ducting at any height easy. Saves energy by making the air conditioner or dryer more effective.

3. CONTENTS

Window seal
Velcro tape



4. INSTRUCTIONS

- 4.1. **CLEANING**
Clean the window and window frame, making them free from grease and dust.
 - 4.2. **CUTTING THE VELCRO TAPE TO SIZE**
Cut the Velcro tape to size, using a pair of scissors. Mark the middle (M) of the window seal (Fig. 1). Mark the middle of the window frame and the casement (Fig. 2-4) (Figure 2 shows an open window, Figure 3 a tilted window and Figure 4 an open skylight).
 - 4.3. **VELCRO TAPE TO THE WINDOW FRAME**
Adhere the Velcro tape to the window frame around the window. Then adhere the Velcro tape fully around the window. Stick the Velcro tape to the front side (in most cases 1 cm wide) of the casement or to the inner surface of the casement (where the window handle is attached).
- CAUTION: DO NOT** adhere the Velcro tape on the window.

4.4. SEALING WINDOW TO WINDOW FRAME

Adhere the narrow side of the window seal to the Velcro tape on the window frame. Work from the centre and fully adhere the narrow side all the way around. First fasten side A, then side B, starting in the middle and working all the way to the left and right. **IMPORTANT!** When fastening, point A must be exactly opposite point B.

4.5. SEALING THE WINDOW

Leave the window ajar and adhere the wide side of the window seal to the Velcro tape of the window.

CAUTION: Leave sufficient space, so that the window seal will not get jammed

4.6. OPENING THE WINDOW SEAL

Open the zip of the window seal approximately 50 cm. Open the zip preferably at the positions marked with "S" and attach the exhaust air hose.

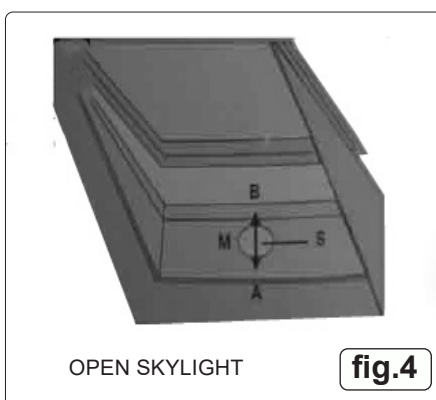
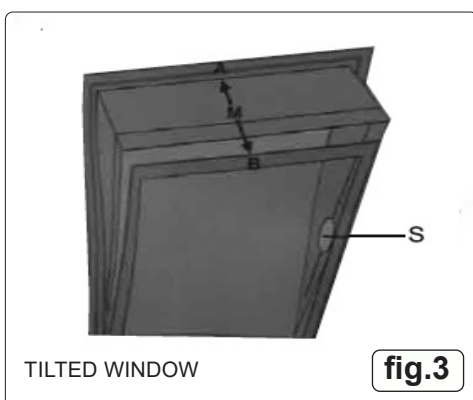
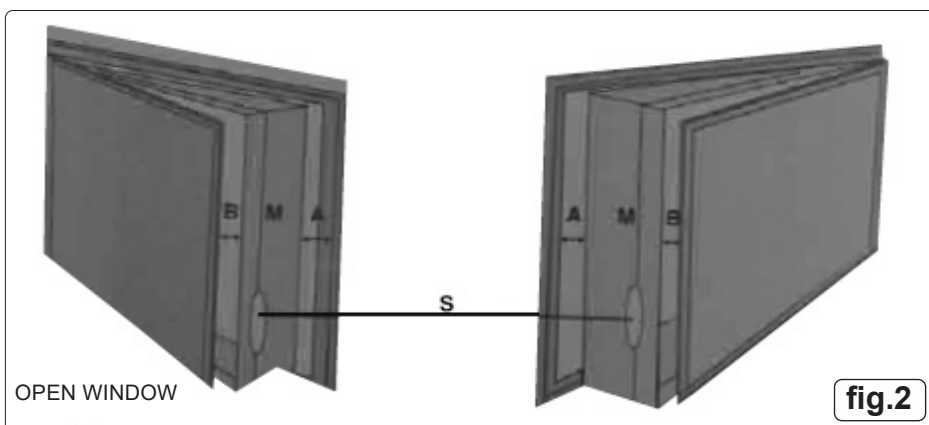
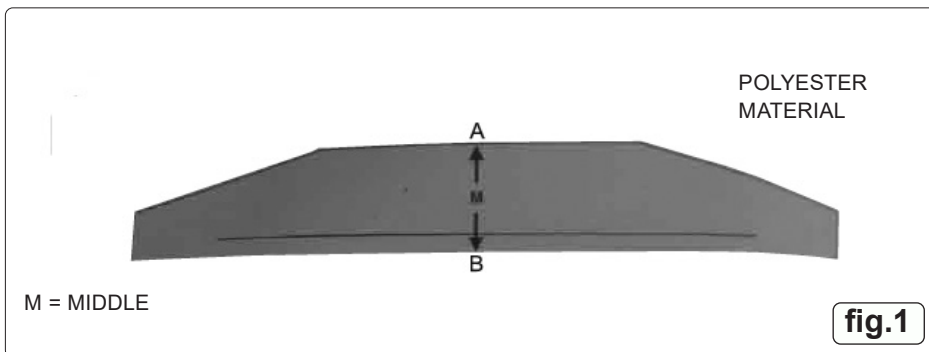
4.7. ATTACHING THE AIR DISCHARGE

Insert the air discharge hose of the air conditioning system through the hole in the window seal and close the zip until the air discharge hose is properly secured

4.8. CLOSING THE WINDOW

If you want to close your window, simply detach the cloth from the Velcro tape. When closing the window take care that the seal is not jammed between the casement and window frame.

NOTE: This window seal ensures that the room remains cool for a longer period of time and keeps insects and mosquitoes out.





4.9. The installed item will resemble fig.5 and fig.6.



ENVIRONMENT PROTECTION

Recycle unwanted materials instead of disposing of them as waste. All tools, accessories and packaging should be sorted, taken to a recycling centre and disposed of in a manner which is compatible with the environment. When the product becomes completely unserviceable and requires disposal, drain any fluids (if applicable) into approved containers and dispose of the product and fluids according to local regulations.



REGISTER YOUR PURCHASE HERE

Note: It is our policy to continually improve products and as such we reserve the right to alter data, specifications and component parts without prior notice.

Important: No Liability is accepted for incorrect use of this product.

Warranty: Guarantee is 12 months from purchase date, proof of which is required for any claim.

Sealey Group, Kempson Way, Suffolk Business Park, Bury St Edmunds, Suffolk. IP32 7AR

 01284 757500

 sales@sealey.co.uk

 www.sealey.co.uk