



3-IN-1 PORTABLE AIR CONDITIONING UNIT WITH WINDOW SEALING KIT 5,000BTU/HR.

MODEL NO: **SAC5000, SACWK1**

Thank you for purchasing a Sealey product. Manufactured to a high standard, this product will, if used according to these instructions, and properly maintained, give you years of trouble free performance.

IMPORTANT: PLEASE READ THESE INSTRUCTIONS CAREFULLY. NOTE THE SAFE OPERATIONAL REQUIREMENTS, WARNINGS & CAUTIONS. USE THE PRODUCT CORRECTLY AND WITH CARE FOR THE PURPOSE FOR WHICH IT IS INTENDED. FAILURE TO DO SO MAY CAUSE DAMAGE AND/OR PERSONAL INJURY AND WILL INVALIDATE THE WARRANTY. KEEP THESE INSTRUCTIONS SAFE FOR FUTURE USE.



Refer to instructions



Do not cover



Indoor use only



Caution: risk of fire

1. SAFETY

1.1. ELECTRICAL SAFETY

- WARNING!** It is the user's responsibility to check the following:
 - ✓ Check all electrical equipment and appliances to ensure that they are safe before using. Inspect power supply leads, plugs and all electrical connections for wear and damage. Sealey recommend that an RCD (Residual Current Device) is used with all electrical products.
 - Electrical safety information.** It is important that the following information is read and understood:
 - ✓ Ensure that the insulation on all cables and on the appliance is safe before connecting it to the power supply.
 - ✓ Regularly inspect power supply cables and plugs for wear or damage and check all connections to ensure that they are secure.
 - IMPORTANT:** Ensure that the voltage rating on the appliance suits the power supply to be used and that the plug is fitted with the correct fuse.
 - ✗ **DO NOT** pull or carry the appliance by the power cable.
 - ✓ The unit shall be installed in accordance with national wiring regulations.
 - ✗ **DO NOT** pull the plug from the socket by the cable.
 - ✗ **DO NOT** use worn or damaged cables, plugs or connectors. Ensure that any faulty item is repaired or is replaced immediately by a qualified electrician.
- If the cable or plug is damaged during use, switch off the electricity supply and remove from use.
Ensure that repairs are carried out by a qualified electrician.

1.2. POWER CORDS

- 1.2.1. If the supply cord is damaged, it must be replaced by the manufacturer, its service agent or similarly qualified persons in order to avoid a hazard.

1.3. GENERAL SAFETY

- 1.3.1. Read the user manual carefully before operation.
- WARNING!** Children shall NOT play with the appliance.
- ✓ Check that the unit is in sound condition and good working order. Take immediate action to repair or replace damaged parts. Use recommended parts only. Unauthorised parts may be dangerous and will invalidate the warranty.
- ✓ The appliance shall be stored in a well-ventilated area where the room size corresponds to the room area as specified for operation.
NOTE: Only install or operate in a room with a floor area exceeding 7m².
- ✗ **DO NOT** stand or place any object closer than 500mm (20 inches) from the unit.
- ✗ **DO NOT** obstruct the air intakes or outlets of the unit.
- ✗ **DO NOT** cover with items of clothing. **DO NOT** sit or climb onto the unit.
- ✗ **DO NOT** place any object onto the unit, or into the outlets.s

1.4. REFRIGERANT

- The appliance is designed for use with propane gas R290 only as it's designated refrigerant, and is flammable.
- WARNING!** No open flames, cigarettes or other possible sources of ignition should be used inside or in the vicinity of the unit.
 - WARNING!** Component parts are designed for propane and non-incentive and non-sparking. Component parts shall only be replaced with identical repair parts.
 - FAILURE TO ABIDE BY THIS WARNING COULD RESULT IN AN EXPLOSION, DEATH, INJURY AND, OR PROPERTY DAMAGE.**
 - WARNING!** This unit uses flammable refrigerant.
 - WARNING!** The propane gas used in this unit has no odour. The lack of smell does not indicate a lack of escaped gas.
 - WARNING!** If propane gas is present or even suspected, **DO NOT** allow untrained personnel to attempt to find the cause.
 - WARNING:** The refrigerant loop is sealed. Servicing should only be carried out by a qualified technician.
 - WARNING!** If a leak is detected, immediately evacuate all persons from the room, ventilate the room and contact the local fire department to advise them that the propane leak has occurred.
 - ✗ **DO NOT** let any persons back into the room until a qualified service technician has arrived and assessed if it is safe to return to the room.
 - ✗ **DO NOT** discharge the refrigerant into the atmosphere.
 - WARNING!** If refrigerant leaks and comes in contact with fire or heating, it will create harmful gas and there is a risk of fire.
 - ✓ Pipe-work shall be protected from physical damage and shall not be installed in an unventilated space, if that space is smaller than 7m².
 - WARNING!** Any person who is involved with working on or breaking into a refrigerant circuit should hold a current valid certificate from an industry-accredited assessment authority, which authorizes their competence to handle refrigerants safely in accordance with an industry, recognized assessment specification.

- ❑ **WARNING!** Servicing shall only be performed as recommended by the equipment manufacturer. Maintenance and repair requiring the assistance of other skilled personnel shall be carried out under the supervision of the person competent in the use of flammable refrigerants.
 - ✓ Compliance with national gas regulations shall be observed.
 - ✓ Keep any required ventilation openings clear of obstruction.
 - ✓ Children from age 8 years and above, persons with reduced physical, sensory, or mental capabilities those with lack of experience and knowledge can use the appliance, if they have been given supervision or instruction concerning use of the appliance in a safe way to understand the hazards involved.
- 1.5. RESTRICTED USE**
- ✗ **DO NOT** attempt any repairs or maintenance unless suitably qualified.
 - ✗ **DO NOT** operate the unit when you are tired or under the influence of alcohol, drugs or intoxicating medication.
 - ✗ **DO NOT** switch the unit off by disconnecting it from the mains. **ALWAYS** switch it off using the Power button.
 - ✗ **DO NOT** remove the float lever from the water collection tank.
 - ✗ **DO NOT** connect or disconnect the plug from the mains or use the unit with wet hands. Keep the unit dry.
- 1.6. MISUSE**
- ✗ **DO NOT** use the unit outside.
 - ✗ **DO NOT** install or operate this air conditioner in a bathroom or other wet environments.
 - ✓ To prevent water from freezing, **DO NOT** use the unit at ambient temperatures below 0°C.
 - ✓ Always discard the water from the collection tank, **DO NOT** use it for any other purpose.
 - ✓ Place the unit on a level and stable surface.
 - ✓ If the appliance is tipped at an angle greater than 45°, leave it to stand for at least 24 hours before use.
 - ✓ Ensure that heating appliances are not exposed to the flow of air from the unit.
 - ✓ Ensure the unit is far away from fire, inflammable, or explosive objects.
- 1.7. TRAINING**
- ❑ **WARNING!** Cleaning and user maintenance on the appliance shall not be made by children without supervision.
- 1.8. CONTROL & SAFETY**
- 1.8.1. The appliance shall be disconnected from its power source during service.
- 1.8.2. Always operate the unit from a power source of equal voltage, frequency and rating as indicated on the product identification plate.
- 1.8.3. Always use a power outlet that is grounded.
- 1.8.4. Unplug the power cord when cleaning or when not in use.
- ✗ **DO NOT** operate with wet hands. Prevent water from spilling onto the unit.
 - ✗ **DO NOT** insert fingers or other objects into the air outlet.
 - ✗ **DO NOT** touch the air inlet or the aluminium fins of the unit.
 - ✗ **DO NOT** immerse or expose the unit to rain, moisture or any other liquid.
 - ✗ **DO NOT** operate the unit if it is dropped, damaged or showing signs of product malfunction.
 - ✗ **DO NOT** leave the unit running unattended. **DO NOT** tilt or turn over the unit.
 - ✗ **DO NOT** unplug while the unit is operating.
 - ✗ **DO NOT** unplug by pulling on the power cord.
 - ✗ **DO NOT** use an extension cord or an adapter plug.
 - ✗ **DO NOT** clean the appliance with any chemicals.
 - ✗ **DO NOT** use means to accelerate the defrosting process or to clean, other than those recommended by the manufacture.
 - ✓ The appliance shall be stored in a room without continuously operation sources (for example: open flames, an operating gas appliance or an operating electric heater).
 - ✓ The appliance shall be stored so as to prevent mechanical damage from occurring.
 - ✗ **DO NOT** piece or burn, even after use.
- 1.9. TRANSPORTATION**
- ✓ Before attempting to move the unit, empty the contents of the water tank. Use carrying handle (fig1.3) when moving unit.
 - ✓ The air conditioner is self contained system that does not require any permanent installation.
- 1.10. SAFETY PRECAUTIONS ON SERVICING**
- Please follow these warnings when to undertake the following when servicing an appliance with R290.**
- 1.11. CHECKS TO THE AREA**
- Prior to beginning work on systems containing flammable refrigerants, safety checks are necessary to ensure that the risk of ignition is minimized. For repair to the refrigerating system, the following precautions shall be complied with prior to conducting work on the system.
- 1.12. WORK PROCEDURE**
- Work shall be undertaken under a controlled procedure so as to minimize the risk of a flammable gas or vapour being present while the work is being performed.
- 1.13. GENERAL WORK AREA**
- All maintenance staff and others working in the local area shall be instructed on the nature of work being carried out. Work in confined spaces shall be avoided. The area around the work space shall be sectioned off. Ensure that the conditions within the area have been made safe by control of flammable material.
- 1.14. CHECKING FOR PRESENCE OF REFRIGERANT**
- The area shall be checked with an appropriate refrigerant detector prior to and during work, to ensure the technician is aware of potentially flammable atmospheres. Ensure that the leak detection equipment being used is suitable for use with flammable refrigerants, i.e. no sparking, adequately sealed or intrinsically safe.
- 1.15. PRESENCE OF FIRE EXTINGUISHER**
- If any hot work is to be conducted on the refrigeration equipment or any associated parts, appropriate fire extinguishing equipment shall be available to hand. Have a dry powder or CO₂ fire extinguisher adjacent to the charging area.
- 1.16. NO IGNITION SOURCES**
- No person carrying out work in relation to a refrigeration system which involves exposing any pipe work that contains or has contained flammable refrigerant shall use any sources of ignition in such a manner that it may lead to the risk of fire or explosion. All possible ignition sources, including cigarette smoking, should be kept sufficiently far away from the site of installation, repairing, removing and disposal, during which flammable refrigerant can possibly be released to the surrounding space. Prior to work taking place, the area around the equipment is to be surveyed to make sure that there are no flammable hazards or ignition risks.
- "No Smoking" signs shall be displayed.

1.17. VENTILATED AREA

Ensure that the area is in the open or that it is adequately ventilated before breaking into the system or conducting any hot work. A degree of ventilation shall continue during the period that the work is carried out. The ventilation should safely disperse any released refrigerant and preferably expel it externally into the atmosphere.

1.18. CHECKS TO THE REFRIGERATION EQUIPMENT

Where electrical components are being changed, they shall be fit for the purpose and to the correct specification. At all times the manufacturer's maintenance and service guidelines shall be followed. If in doubt consult the manufacturer's technical department for assistance.

The following checks shall be applied to installations using flammable refrigerants:

- If an indirect refrigerating circuit is being used, the secondary circuit shall be checked for the presence of refrigerant;
- Marking to the equipment continues to be visible and legible. Markings and signs that are illegible shall be corrected;
- Refrigeration pipe or components are installed in a position where they are unlikely to be exposed to any substance which may corrode refrigerant containing components, unless the components are constructed of materials which are inherently resistant to being corroded or are suitably protected against being so corroded.

1.19. CLEANING UP OF REFRIGERANT

1.19.1. PROTECTIVE MEASURES

1.19.2. Gas/vapour heavier than air. May accumulate in confined spaces, particularly at or below ground level.

1.19.3. Eliminate every possible source of ignition.

1.19.4. Use appropriate personal protection equipment (PPE).

1.19.5. Evacuate unnecessary personnel, isolate, and ventilate area.

× **DO NOT** get in eyes, on skin, or on clothing. Do not breathe vapours or gas.

× **DO NOT** dispose of in drains or public waters.

1.19.6. Stop the source of the leak, if safe to do so, use a water spray to disperse the vapours.

1.20. Isolate the area until gas has dispersed. Ventilate and gas test area before entering. Contact competent authorities after a spill.

1.21. CHECKS TO ELECTRICAL DEVICES

Repair and maintenance to electrical components shall include initial safety checks and component inspection procedures. If a fault exists that could compromise safety, then no electrical supply shall be connected to the circuit until it is satisfactorily dealt with. If the fault cannot be corrected immediately but it is necessary to continue operation, an adequate temporary solution shall be used. This shall be reported to the owner of the equipment so all parties are advised.

Initial safety checks shall include:

- Those capacitors are discharged: this shall be done in a safe manner to avoid possibility of sparking;
- That there no live electrical components and wiring are exposed while charging, recovering or purging the system;
- That there is continuity of earth bonding.

2. INTRODUCTION

3-in-1 High capacity, compact, portable air conditioner, air cooling with ventilation and dehumidifying functions. Thermostatically controlled with built-in 24hr timer and sleep mode. Soft-touch control panel with LED digital display and remote control. Self-evaporating system reuses the moisture it collects from the air to help with the cooling process allows better efficiency, low maintenance and powerful cooling. Water-full indicator with auto-shut-off. Supplied with extendible exhaust ducting with window kit for ventilation. Dehumidifying function capable of removing up to 8.2L/day and includes continuous drain hose. Eco-Friendly R290 refrigerant. Air conditioning temperature range 16-32°C. Includes washable filter. Auto-defrost function at low ambient temperature. Mounted on castor wheels for manoeuvrability.

3. SPECIFICATION

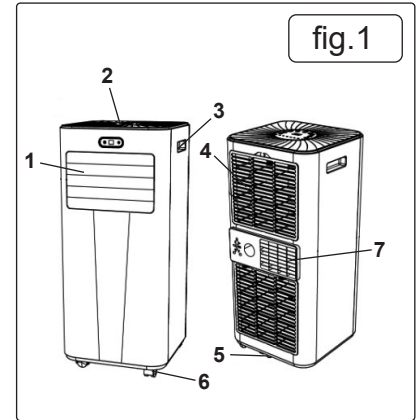
Model No:	SAC5000
Cooling Capacity:	5000Btu/hr
Discharge Side Pressure:	3.2MPa
Energy Rating:	A (EER: 2.6)
Fuse Rating:	13A
IP Rating:	IPX1
Mass of Refrigerant:	115g
Maximum Airflow:	290m ³ /hr
Maximum Exhaust Hose Length:	1.5m
Maximum Input Current:	4.5A
Maximum Water Extraction Rate:	8.2L/day
Nett Weight:	18.5kg
Noise Level:	53dB(A)
Plug Type:	3-Pin
Power Supply Cable Length:	1.8m
Power:	560W
Rated Capacity:	1460W
Refrigerant:	R290
Suction Side Pressure:	0.7MPa
Supply:	230V - 50Hz

Rated Capacity for cooling P rated kW:	1.46
Room size:	10-15m ²
Power input for cooling PEER kW:	0.560
Rated Energy efficiency ratio EERd:	2.63
Power consumption in standby mode PSB W:	0.5
Electricity consumption of single duct appliances QSD kWh/h Cooling:	0.559
Sound power level LWA dB:	65

4. CONTENTS

ITEM	DESCRIPTION
1	Air outlet with adjustable louvre
2	Control Panel
3	Handle
4	Upper Filter Frame
5	Drainage Hole
6	Wheel, swivel Caster
7	Air Exhaust

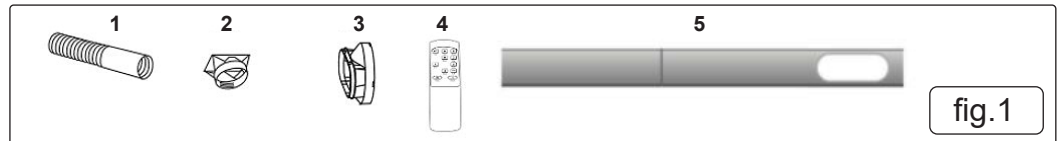
NOTE: The illustration is only for reference. Please see the real product for detailed information.



5. INSTALLATION

5.1. Unpack the product and check contents. Should there be any damaged or missing parts contact your supplier immediately.

1. Exhaust hose.
2. Hose connector.
3. Window kit adapter.
4. Remote control.
5. Window kit.



5.2. LOCATION

WARNING! If tipped more than 45°, allow the unit to set upright for at least 24 hours before start up.

5.2.1. Place the appliance on a firm, level surface.

5.2.2. Ensure that there is a clear area of at least 500mm around the appliance (fig.3) to allow for adequate air circulation.

✗ **DO NOT** operate the appliance in close proximity to walls, curtains or other objects that may block the air inlet or outlet. Keep the air inlet and outlet free of obstacles.

WARNING! DO NOT locate the appliance where it is subject to:

- Heat sources such as radiators, ovens or similar.
- Direct sunlight.
- Mechanical vibration or shock.
- Excessive dust.
- Lack of ventilation i.e., inside a cabinet or bookcase.
- Uneven surfaces.

WARNING! Install the unit in room which exceed 7m² floor area.

✗ **DO NOT** install the unit in a place where inflammable gas may leak.

5.3. ASSEMBLE THE EXHAUST HOSE

WARNING! The air conditioning unit must be vented to outside. This ensures that any heat and moisture is removed from the designated room space.

✗ **DO NOT** replace or extend exhaust hose which will result in decreased efficiency, even worse shut down the unit due to low back pressure.

5.3.1. Screw fit the hose connector to one end of the exhaust hose (fig.4).

5.3.2. Screw fit the window kit adapter to the other end of the exhaust hose (fig.5).

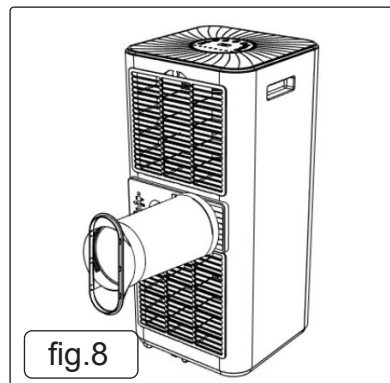
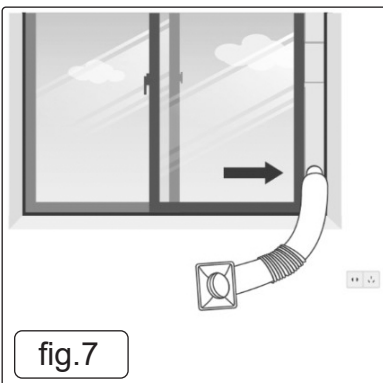
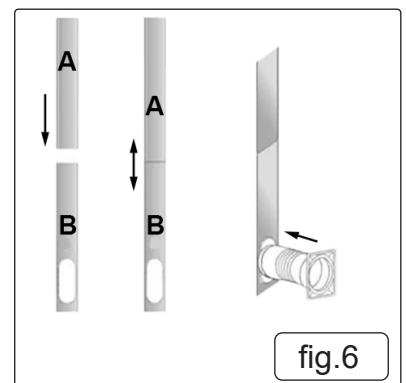
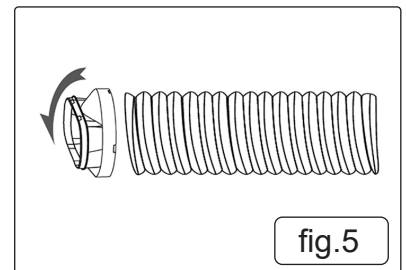
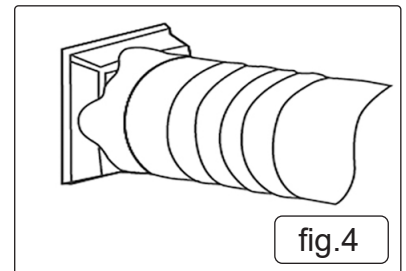
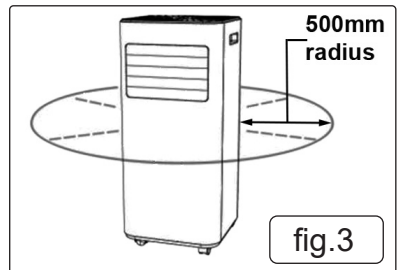
5.3.3. Extend the adjustable window kit the length of your window. Connect the exhaust hose to the window kit (fig.6).

5.3.4. Close your window to secure the kit in place. **NOTE:** The window needs to hold the windows kit firmly in place, secure the window kit with duct tape if required. It is recommended that the gap between the adapter and the sides of the window should be sealed off for maximum efficiency (fig.7).

5.3.5. Attach the hose connector to the exhaust air outlet of unit. (fig.8).

5.3.6. Adjusting the length of the flexible exhaust hose, and avoid bends in the hose. Then place AC near an electrical outlet (fig.7).

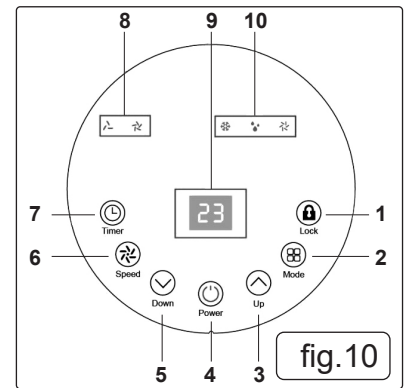
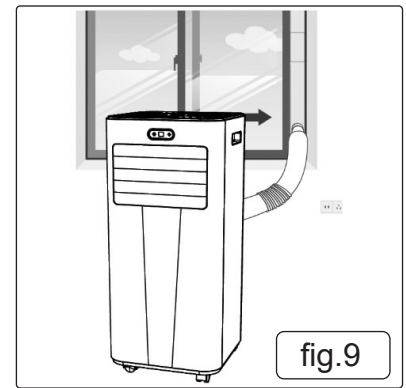
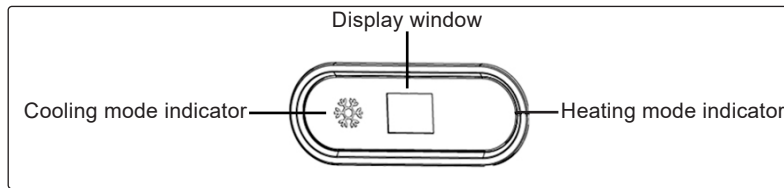
5.3.7. Adjust the louvre at the air outlet, and then switch on the unit (fig.9).



6. OPERATION

6.1. CONTROL PANEL AND DISPLAY

1	LOCK	Press to turn ON or OFF the child lock function.
2	MODE	Press to switch operation mode between cooling, dehumidifier and fan.
3	UP	Increase temperature (16°C-32°C) or timer setting.
4	POWER	Press to turn the unit ON or OFF.
5	DOWN	Decreasing the temperature or timer setting.
6	SPEED	Press to switch the fan speed between HIGH or LOW.
7	TIMER	Sets a time for the unit to automatically START or STOP.
8	FAN SPEED INDICATOR	Displays HIGH or LOW fan speed.
9	DIGITAL DISPLAY	Displays timer setting and room temperature.
10	MODE INDICATOR	Mode display between Cooling, Dehumidifying and Fan.



6.1.1. The display on the front face of the unit will only light when the unit is in cooling mode.

6.2. SETTINGS

6.2.1. START UP AND SHUTDOWN

- 6.2.1.1. Press POWER to turn the unit ON (fig.10 #4).
- 6.2.1.2. Press MODE button to select the desired operation mode (fig.10 #2).
- 6.2.1.3. Press POWER again to turn the unit OFF (fig.10 #4).

6.2.2. OPERATION MODE

The unit has four operation modes: Cool, dehumidifier, fan and sleep.

6.2.3. COOLING A ROOM

- 6.2.3.1. Select the COOL mode to lower the temperature in a room.
- 6.2.3.2. Press MODE button (fig.10 #2) until the COOL indicator illuminates (fig.10 #10).
- 6.2.3.3. Press the UP or DOWN button (fig.10 #3 #5) to adjust the temperature to the desired level. The temperature will be displayed on the screen (fig.10 #9). The temperature can be set between 16°C to 32°C.
- 6.2.3.4. Press the Speed button (fig.10 #6) Until the desired fan speed indicator illuminates (fig.10 #8).

NOTE: The horizontal air flow direction is controlled by adjusting the air outlet louvres (fig.1 #1).

❑ **WARNING!** The air conditioner function will stop if the room temperature is lower than the selected temperature.

6.2.4. VENTILATE THE ROOM

- 6.2.4.1. Press the MODE button (fig.10 #2) until the FAN indicator illuminates (fig.10 #10).
- NOTE:** In ventilation mode the room air is circulated NOT cooled.
- 6.2.4.2. Press the Speed button (fig.10 #6) Until the desired fan speed indicator illuminates (fig.10 #10).

6.2.5. DRYING THE ROOM

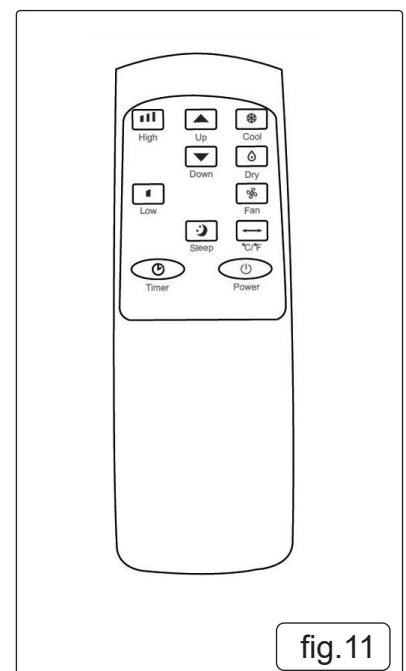
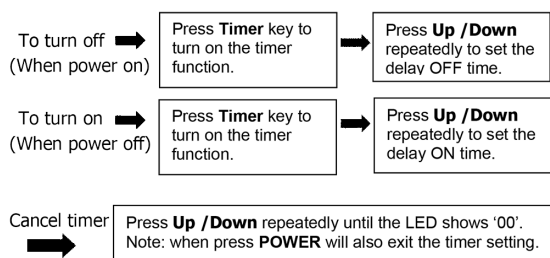
- 6.2.5.1. Press the MODE button on the control panel (fig.10 #2) until the DRY indicator illuminates (fig.10 #10), or press the DRY button on the remote control (fig.11).
 - 6.2.5.2. Connect the drain hose (not shown) To the drain outlet at the bottom of the unit (fig.1 #5).
- NOTE:** In this mode the fan speed is set to low level and cannot be changed.

6.2.6. SLEEP MODE

- ❑ **WARNING!** This function can only be activated by using the SLEEP button on the remote control (fig.11).
- To activate the sleep mode the unit must be in the COOL mode.
- NOTE:** After 1 hour the pre-set temperature is increased by 1°C and increased again by 1°C the following hour.

6.2.7. TIMER SETTING (1 to 24 hours)

- 6.2.7.1. The TIMER has two ways of operation and can be activated by either the button on the control panel (fig.10 #7) or by the TIMER button on the remote control (fig.11).



6.3. AUTOMATIC DEFROST

During use if operating at low room temperatures frost may build up at the evaporator. The POWER indicator will start to blink and the unit will automatically begin to defrost.

The defrost control sequence is as follows:

A. If operating the unit in either the cooling or drying mode, the ambient temperature sensor senses that the evaporator coil temperature is below -1°C the compressor will stop. It will restart again, in the COOL mode, after 10 minutes or when the coil reaches the temperature of 7°C .

B. If operating the unit in the drying mode, the coil temperature sensor senses that the temperature of the evaporator is below 40°C and the differential temperature between the coil temperature and the ambient room temperature is below 19°C and the compressor has been in operation for twenty minutes the unit will start defrosting for five minutes and the POWER indicator will begin to blink.

6.4. OVERLOAD PROTECTION

If there is a loss of power, to protect the compressor, there is a three minute delay until the compressor will restart.

6.5. MANUAL DRAINAGE

NOTE: When the unit is full of water it will automatically shut off.

6.5.1. Switch off the unit and remove the electrical plug from its power source.

6.5.2. With care move the unit to suitable location to enable a container to be located below the bottom drainage hole (fig.1 #5).

6.5.3. With the container in place remove the drain plug (fig.12).

❑ **WARNING!** The water will flow out instantly from the drainage hole.

6.5.4. When the unit has completely drained replace the drain plug back fully into the drainage hole.

NOTE: To assist with drainage the unit can be slightly tilted backwards to allow the drain plug to be re-inserted if the container becomes full.

6.5.5. Replace the electric plug into the power source and re-start the appliance in the desired mode.

❑ **WARNING!** Ensure that the drain plug is fully inserted, otherwise the condensate water will flow out onto the floor.

6.6. CONTINUOUS DRAINAGE

To provide a more efficient performance the self-evaporating system uses the collected water to cool the condenser coils.

It is recommended not to use the continuous drain method in the cooling mode.

The condensate water evaporates at the condenser and is expelled through the exhaust hose.

6.6.1. Switch off the unit and remove the electrical plug from its power source.

6.6.2. Release the cover from the water outlet opening (fig.13).

6.6.3. With care push fit one end of the drain hose onto the water outlet (fig.13).

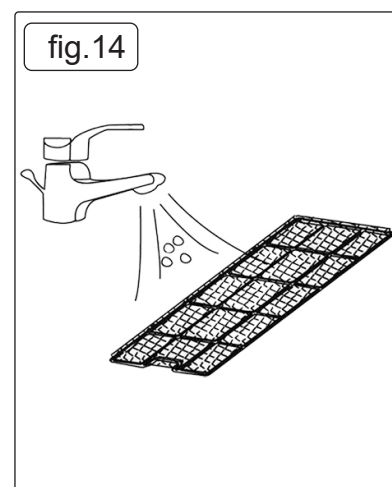
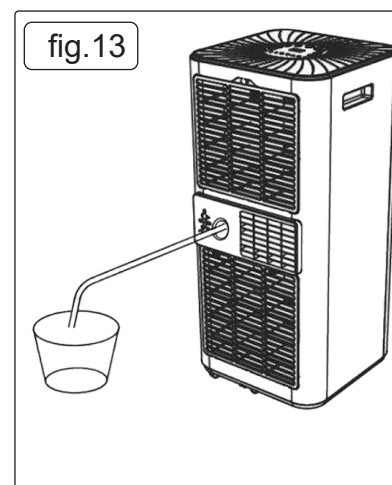
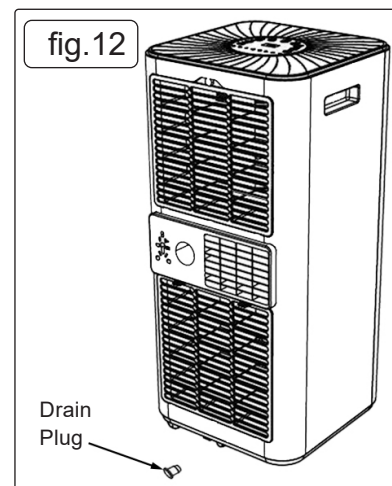
6.6.4. Securely place the other end of the drain hose over a suitably sized container or drain.

6.7. TO AVOID WATER SPILLAGE:

❑ **WARNING!** Ensure that the drain hose is straight and free from any kinks and at an inclination angle downwards of not more than 20° .

* **DO NOT** allow the open end of the drain hose to be submerged into the water. This may cause an air lock in the hose.

NOTE: The condensate water will automatically flow into the container or drain.



7. MAINTENANCE

❑ **WARNING!** Switch off the unit and remove the electrical plug from its mains supply.

NOTE: Maintenance, service and repair must be carried out by qualified person. Contact your Sealey stockist for details.

✓ The removal of the plug has to be such that an operator can check from any of the points to which they have access that the plug remains removed.

✓ Switch off and disconnect unit from the mains before attempting any cleaning or other maintenance work.

✓ Ensure that the unit is turned off correctly when not in use, and stored in a safe, dry area, out of reach of children.

7.1. CLEANING

7.1.1. Clean the unit with soft damp cloth.

* **DO NOT** use solvents.

7.2. CLEANING THE AIR FILTER

The air filter requires regular cleaning. A restricted airflow will reduce the efficiency of the system.

It is recommended that air filter is cleaned every two weeks.

* **DO NOT** operate the unit without an air filter.

7.2.1. Switch off the unit and remove the electrical plug from its power source.

7.2.2. Remove the filter mesh from the unit (fig.1 #4).

7.2.3. Use a household vacuum to remove any dust from the filter.

7.2.4. Turn the filter over and rinse the filter under running water (fig.14).

7.2.5. Allow the filter to dry before reinstalling.

❑ **WARNING! DO NOT** touch the evaporator surface with bare-hand, or could cause injury of your fingers.

8. STORAGE

8.1. DISMANTLING THE PRODUCT WHEN OUT OF SERVICE

- 8.2. Switch off the unit and remove the electrical plug from its power source.
8.3. Remove the window kit, exhaust hose and drain hose.

8.4. LONG TERM STORAGE

- 8.5. If you will not be using the unit for an extended period of time (more than a few weeks) it is best to clean the unit and dry it out completely. Please store the unit per the following steps:
8.6. Drain the remaining water from the unit. See section 6.5.
8.7. Clean the filter and let the filter dry completely. See section 7.2.
8.8. Once the filter is dry re-install.
8.9. Store the unit and accessories in its original packaging, upright in a safe dry childproof location.
8.10. Replace any drainage plugs.
8.11. Remove the batteries from the remote control.

NOTE: The evaporator inside the machine has to be dried out before the unit is packed to avoid component damage and molds. Unplug the unit and place it in a dry open area for days to dry it out. Another way to dry the unit is turn on the machine, adjust it to low-wind ventilation mode, and maintain this state until the drainage pipe becomes dry, so as to keep the inside of the body in a dry state and prevent it from mildewing.

8.12. SPARE PARTS

- 8.12.1. Refer to the attached spare parts list.

8.13. DISPOSAL

- 8.13.1. Through years of normal wear, the unit will eventually become unserviceable. When this happens ensure that it is disposed of in accordance with local authority regulations.

9. TROUBLESHOOTING

SYMPTOM		POSSIBLE CAUSE	REMEDY
The unit is not working.		No power.	Connect to power source and turn the unit ON.
		Full water indicator is illuminated.	Drain the water.
		Low room temperature.	Change the set temperature.
The unit works with reduced capacity.		Dirty air filter.	Clean the air filter as required.
		Air ducts are blocked.	Clear obstacles. Re-position unit into clear space.
		Doors or windows open.	Close the doors and windows.
		Incorrect mode and temperature selected.	Select correct mode and temperature to suit desired application.
		Detached exhaust hose.	Securely reattach exhaust hose.
Water leakage.		Spillage when moving the unit.	Empty the water tank before moving the unit.
		The drain hose is kinked or bent.	Straighten the drain hose.
Excessive noise.		The unit is on an uneven surface.	Place the unit onto a flat horizontal surface.
		Loose, vibrating parts.	Check for loose parts and re-tighten.
		Water flowing sound.	Normal sound of refrigerant flowing.
Error codes.	E0	Communication faults between main PCB and display PCB.	Contact Sealey service centre.
	E1	Ambient temperature sensor fail.	Contact Sealey service centre.
	E2	Coil temperate sensor failures.	Contact Sealey service centre.
	Ft	Condensate water high level alarm.	Drain the water.

WINDOW SEALING KIT FOR AIR CONDITIONER DUCTING

MODEL NO: **SACWK1**

10. SAFETY

- ✓ To be used with Sealey SAC air conditioning units see sealey website for more details.
 - ✗ **DO NOT** cover the unit with this material, and do not obstruct the air inlet and outlet grilles of the machine with items such as clothing, soft furnishings, furniture, bedding etc.
 - ✗ **DO NOT** use the material for any purpose other than that for which it is designed.
 - ✗ **DO NOT** use in bathroom or shower room.
 - ✗ **DO NOT** allow children to use, when not in use, store in a safe, cool, dry, childproof area.
- NOTE:** This material is not intended for use by persons (including children) with reduced physical, sensory or mental capabilities or lack of experience and knowledge, unless they have been given supervision or instruction concerning the use of the appliance by a person responsible for their safety. Children should be supervised to ensure that they do not play with this material.

11. INTRODUCTION

Suitable for all types of hinged windows including skylights up to 300cm total perimeter. Easy to install using the supplied roll of self-adhesive hook-and-loop tape. Double zip makes positioning the ducting at any height easy. Saves energy by making the air conditioner or dryer more effective.

12. CONTENTS

Model No:	SACWK1
Window seal	1
Velcro tape	1
Nett Weight:	0.200kg

13. INSTRUCTIONS

13.1. CLEANING

Clean the window and window frame, making them free from grease and dust.

13.2. CUTTING THE VELCRO TAPE TO SIZE

Cut the Velcro tape to size, using a pair of scissors. Mark the middle (M) of the window seal (fig.1). Mark the middle of the window frame and the casement (fig. 2-4) (fig. 2 shows an open window, fig.3 a tilted window and fig.4 an open skylight).

13.3. VELCRO TAPE TO THE WINDOW FRAME

Adhere the Velcro tape to the window frame around the window. Then adhere the Velcro tape fully around the window. Stick the Velcro tape to the front side (in most cases 1 cm wide) of the casement or to the inner surface of the casement (where the window handle is attached).

CAUTION: DO NOT adhere the Velcro tape on the window.

13.4. SEALING WINDOW TO WINDOW FRAME

Adhere the narrow side of the window seal to the Velcro tape on the window frame. Work from the centre and fully adhere the narrow side all the way around. First fasten side A, then side B, starting in the middle and working all the way to the left and right.

IMPORTANT! When fastening, point A must be exactly opposite point B.

13.5. SEALING THE WINDOW

Leave the window ajar and adhere the wide side of the window seal to the Velcro tape of the window.

CAUTION: Leave sufficient space, so that the window seal will not get jammed.

13.6. OPENING THE WINDOW SEAL

Open the zip of the window seal approximately 50cm. Open the zip preferably at the positions marked with "S" and attach the exhaust air hose.

13.7. ATTACHING THE AIR DISCHARGE

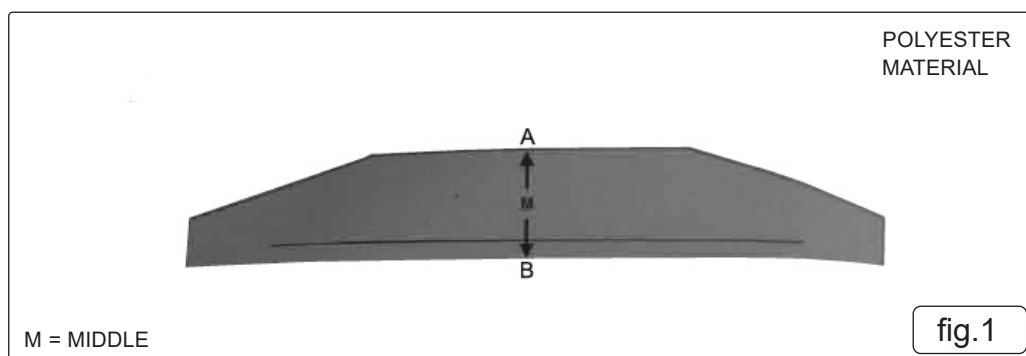
Insert the air discharge hose of the air conditioning system through the hole in the window seal and close the zip until the air discharge hose is properly secured.

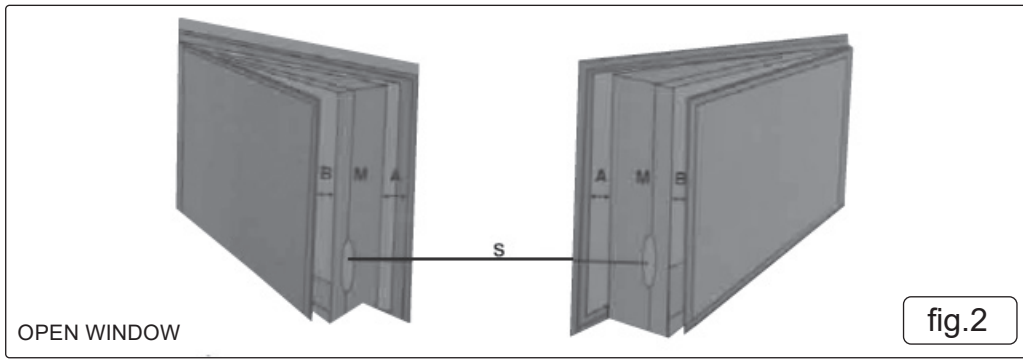
13.8. CLOSING THE WINDOW

If you want to close your window, simply detach the cloth from the Velcro tape. When closing the window take care that the seal is not jammed between the casement and window frame.

NOTE: This window seal ensures that the room remains cool for a longer period of time and keeps insects and mosquitoes out.

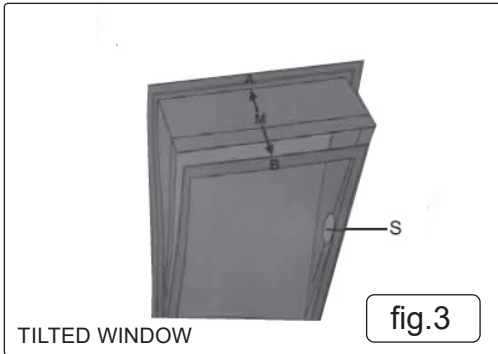
13.9. The installed item will resemble fig.5 and fig.6.





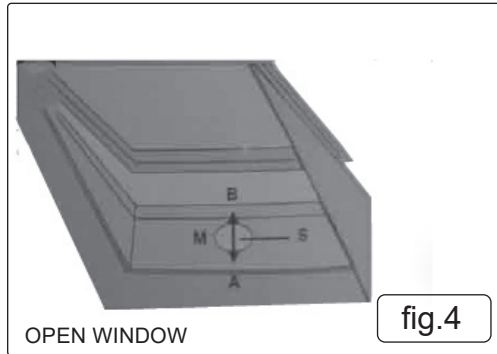
OPEN WINDOW

fig.2



TILTED WINDOW

fig.3



OPEN WINDOW

fig.4



fig.5



fig.6



ENVIRONMENT PROTECTION

Recycle unwanted materials instead of disposing of them as waste. All tools, accessories and packaging should be sorted, taken to a recycling centre and disposed of in a manner which is compatible with the environment. When the product becomes completely unserviceable and requires disposal, drain any fluids (if applicable) into approved containers and dispose of the product and fluids according to local regulations.



REGISTER YOUR PURCHASE HERE



WEEE REGULATIONS

Dispose of this product at the end of its working life in compliance with the EU Directive on Waste Electrical and Electronic Equipment (WEEE). When the product is no longer required, it must be disposed of in an environmentally protective way. Contact your local solid waste authority for recycling information.



BATTERY REMOVAL: REMOVE BATTERY FROM REMOTE

Under the Waste Batteries and Accumulators Regulations 2009, Jack Sealey Ltd are required to inform potential purchasers of products containing batteries (as defined within these regulations), that they are registered with Valpak's registered compliance scheme. Jack Sealey Ltd Batteries Producer Registration Number (BPRN) is BPRN00705.

Note: It is our policy to continually improve products and as such we reserve the right to alter data, specifications and component parts without prior notice. Please note that other versions of this product are available. If you require documentation for alternative versions, please email or call our technical team on technical@sealey.co.uk or 01284 757505.

Important: No Liability is accepted for incorrect use of this product.

Warranty: Guarantee is 12 months from purchase date, proof of which is required for any claim.

Sealey Group, Kempson Way, Suffolk Business Park, Bury St Edmunds, Suffolk. IP32 7AR



01284 757500



sales@sealey.co.uk



www.sealey.co.uk