



# WALL MOUNTED OIL FREE 1.5HP AIR COMPRESSOR WITH 7M RETRACTABLE HOSE REEL

MODEL NO: **SAC15WM**

Thank you for purchasing a Sealey product. Manufactured to a high standard, this product will, if used according to these instructions, and properly maintained, give you years of trouble free performance.

**IMPORTANT:** PLEASE READ THESE INSTRUCTIONS CAREFULLY. NOTE THE SAFE OPERATIONAL REQUIREMENTS, WARNINGS & CAUTIONS. USE THE PRODUCT CORRECTLY AND WITH CARE FOR THE PURPOSE FOR WHICH IT IS INTENDED. FAILURE TO DO SO MAY CAUSE DAMAGE AND/OR PERSONAL INJURY AND WILL INVALIDATE THE WARRANTY. KEEP THESE INSTRUCTIONS SAFE FOR FUTURE USE.



Refer to instructions



Wear ear protection



**WARNING!**  
Hot surfaces



**WARNING!**  
Electricity



**WARNING!**  
Automatic Start-up

## 1. SAFETY

### 1.1. GENERAL POWER TOOL WARNING

**WARNING!** Read all safety warnings, instructions, illustrations and specifications provided with this power tool. Failure to follow all instructions listed below may result in electric shock, fire and/or serious injury. Save all warning and instructions for future reference.

### 1.2. WORK AREA SAFETY

- ✓ Keep work area clean and well lit. Cluttered or dark area invites accidents.
- ✗ **DO NOT** operate power tools in explosive atmospheres, such as in the presence of flammable liquids, gases or dust. Power tools create sparks which may ignite the dust or fumes.
- ✓ Keep children and bystanders away whilst operating a power tool. Distractions can cause you to lose control.

### 1.3. ELECTRICAL SAFETY

- ✓ Power tool plugs must match the outlet. Never modify the plug in any way. **DO NOT** use any adaptor plugs with earthed (grounded) power tools. Unmodified plugs and matching outlets will reduce risk of electric shock.
- ✓ Avoid body contact with earthed or grounded surfaces, such as pipes, radiators, ranges and refrigerators. There is an increased risk of electric shock if your body is earthed or grounded.
- ✗ **DO NOT** expose power tools to rain or wet conditions. Water entering a power tool will increase the risk of electric shock.
- ✗ **DO NOT** abuse the cord. Never use the cord for carrying, pulling, or unplugging the power tool. Keep cord away from the heat, oil, sharp edges or moving parts. Damaged or entangled cords increase the risk of electric shock.
- ✓ When operating a power tool outdoors, use an extension cord suitable for outdoor use. Use of a cord suitable for outdoor use reduces the risk of electric shock.
- ✓ If operating a power tool in a damp location is unavoidable, use a residual current device (RCD) protected supply. Use of an RCD reduces the risk of electric shock.
- ✓ The compressor is equipped with double insulation and does not require an earth connection. Any repairs must be carried out by a qualified electrician.

### 1.4. PERSONAL SAFETY

- WARNING!** Avoid electric shock hazards. Never use this compressor with a damaged or frayed electrical cord or extension cord. Inspect the plug and electrical cord before each use. Never use in or near water or in any environment where electric shocks are possible.
- WARNING!** Always wear ear defenders before turning on the compressor. Ensure they are fitted correctly and inspected for serviceability. Replace immediately if damaged.
- ✓ Stay alert, watch what you are doing and use common sense when operating a power tool.
- ✗ **DO NOT** use a power tool whilst you are tired or under the influence of drugs, alcohol, or medication. A moment inattention whilst operating power tools may result in serious injury.
- ✓ Use personal protective equipment. Always wear eye protection. Protective equipment such as dust mask, non-skid safety shoes, hard hat or hearing protection use for appropriate conditions will reduce personal injuries.
- ✓ Prevent unintentional starting. Ensure the switch is in the off position before connecting to power source and/or battery pack, picking up or carrying the tool. Carrying power tools with your fingers on the switch or energising power tools that have the switch on invites accidents.
- ✗ **DO NOT** let familiarity gained from frequent use of tools allow you to become complacent and ignore tool safety principles. A careless action can cause severe injury within a fraction of a second.
- ✓ Perform a risk assessment to identify safety measures to protect the operator. These must be based on an estimation of exposure in the actual condition of use.

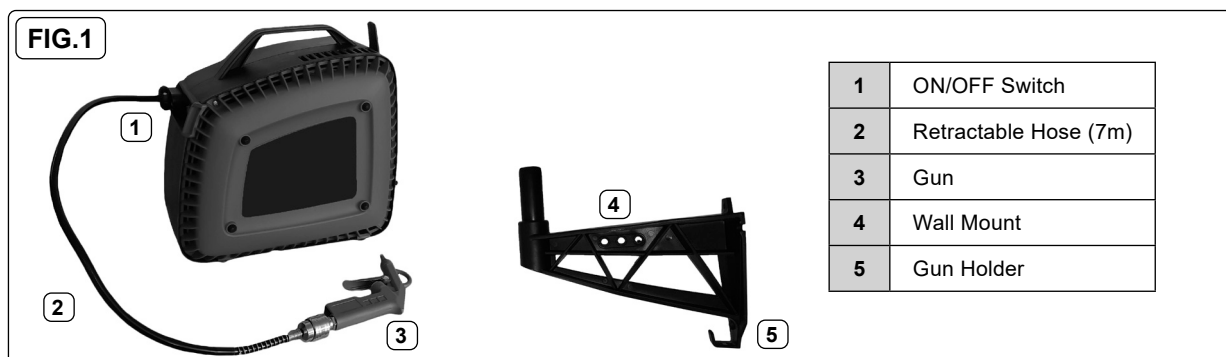
### 1.5. POWER TOOL USE AND CARE

- ✗ **DO NOT** use the power tool if the switch does not turn it on and off. Any power tool that cannot be controlled with the switch is dangerous and must be repaired.
- ✓ Disconnect the plug from the power source and/or remove the battery pack, if detachable, from the power tool before making any adjustments, changing accessories, or storing power tools. Such preventive safety measures reduce the risk of starting the power tool accidentally.
- ✓ Store idle power tools out of the reach of children and do not allow persons unfamiliar with these power tools or these instructions to operate the power tool. Power tools are dangerous in the hands of untrained users.
- ✓ Maintain power tools and accessories. Check for misalignment or binding of the moving parts, breakage of parts and any other condition that may affect the power tool's operation. If damages, have the power tool repaired before use. Many accidents are caused by poorly maintained power tools.

- ✓ Use the power tool, accessories and tool bits etc, in accordance with these instructions, taking into account the working conditions and the work to be performed. Use of the power tool for operations different from those intended could result in a hazardous situation.
  - ✓ Keep handles and grasping surfaces dry, clean and free from oil and grease. Slippery handles and grasping surfaces do not allow for safe handling and control of the tool in unexpected situations.
  - ✓ **INSPECT BEFORE USE**  
Check the compressor for damaged parts and air leaks before each use. Check all screws, bolts and plates are secured. Ensure the motor air vent is clean and free from obstruction. Clean when required as per these instructions. **DO NOT** use the compressor if it is defective or making strange noises. If the compressor is damaged or not running correctly, arrange for servicing by an authorised service centre. Use genuine parts only. Unauthorised parts may be unsafe and will invalidate your warranty.
- 1.6. SPECIFIED APPLICATIONS**  
Only use the compressor for tasks it is designed for, in accordance with these instructions. **DO NOT** allow children or untrained individuals to use the product. Only use pipes and pneumatics tools which can withstand pressure greater than the maximum operating pressure of the compressor.
- 1.7. INTENDED USE**  
This product has been designed and manufactured for intermittent use with a maximum service factor of 15%, i.e. 1.5mins of work, 8.5mins of rest, in optimal environmental conditions (max. temp. 35°C). **DO NOT** expose the compressor to high or low ambient temperatures **DO NOT** modify the compressor. Ensure the compressor is operated at the rated voltage specified on the rating plates.

## 2. INTRODUCTION

Compact air compressor unit with integral 7m hose reel. 180° swivel wall bracket for maximum flexibility. (Fixings included). Fitted with high flow quick release coupling. Versatile and portable, the lightweight unit can be easily detached from the wall bracket and taken to the job in hand. Quick Start function with a simple on/off switch, and the unit is ready for action. Ideal for use where an oil free air delivery is required.



## 3. SPECIFICATION

**Model No:**..... **SAC15WM**  
**Air Displacement cfm(L/min):** ..... 5.65/160  
**Bore:** ..... Ø5mm  
**Electrical Class:** ..... 2  
**Fuse Rating:**..... 13A  
**Hose Length:**..... 7m  
**IP Rating:** ..... IP40  
**Maximum Free Air Delivery cfm(L/min):** ..... 2.12/60  
**Maximum Pressure:** ..... 116psi(8Bar)

**Motor Output:** ..... 1.5hp  
**Noise Level:** ..... 99.8dB (A)  
**Outlet:** ..... Quick Release Coupling  
**Phase:**..... 1PH  
**Size (W x D x H):** ..... 215 x 295 x 290mm  
**Supply:**..... 230V  
**Sound Pressure Level:**..... 77.6dB (A)  
**Peak Emission Sound Pressure:**..... 97.7dB(A)

### Pressure Relief Device

**Pressure and Flow Rate:** 8 bar +/-0.5bar, flow, 75l/min (@8bar +/-0.3bar)  
**Noise Test Code:** EN ISO 2151:2008

## 4. OPERATION

**NOTE:** This compressor can be operated as a standalone unit, or attached to a wall using the mount provided.

- ✓ Ensure the operation is with covers in place.
  - ✓ Ensure the concentration of processed gases that can displace breathing air shall be kept within acceptable levels.”
- 4.1. INSTALLATION TO A WALL**  
Remove the compressor from the packaging. Ensure there is no damage or missing parts. Fasten using an electric drill, a 10mm drill bit and a screwdriver. Use a spirit level to ensure the support is positioned correctly. To install to brick or cement, use the screws and plugs supplied. To fasten to any other surface, purchase the appropriate screws and plugs. If attaching to a wall, the wall must be strong enough to support the weight of the unit and deploying the hose.
- 4.2. FASTENING THE SUPPORT ON THE WALL**  
Position the compressor at least 50cm from wall/obstacle for ventilation. Choose the position so there is room to rotate the compressor 180° and you can easily reach the air hose. Use the support as a template, drill four 10mm holes. Insert plugs and fasten the support to the wall using the screws supplied. Place the compressor onto the support.
- 4.3. TURNING ON/OFF**  
Insert the plug into the supply and turn on at the main supply. Turn on the compressor using the ON/OFF switch. Always turn off after use.
- 4.4. HOSE WINDER**  
The winder includes an automatic locking mechanism that allows the user to lock the length. Pull the hose out to the desired length, then reduce the tension until you hear a click. Always handle the hose with care. Rewind the hose after use.
- 4.5. MOTOR PROTECTION DEVICE**

The compressor is fitted with an internal automatically rearming thermal protection switch to prevent overheating. If the compressor trips, switch the compressor off using the ON/OFF switch. Remove from the electrical power supply and wait a few minutes. Once cooled, plug the power cord back in and restart work. If the compressor trips out again, switch off, detach from the electrical power supply and contact an authorised service centre. Note: the duty cycle for the compressor is 1.5 minutes work, 8.5 minutes rest.

## 5. MAINTENANCE

### ❑ **WARNING! DISCONNECT BEFORE SERVICING**

Disconnect the compressor before carrying out any service, maintenance or cleaning. If the replacement of the supply cord is necessary, this has to be done by the manufacturer or his agent in order to avoid a safety hazard. Transport in original packaging.

### 5.1. **CLEANING**

Clean the compressor with a soft cloth. **DO NOT** use solvents as this may damage the plastic housing and/or air line.

### 5.2. **STORAGE**

Store in a clean, dry place at a temperature between 5°C and 45°C. Avoid direct sunlight. If storing for prolonged periods, cover with dust sheets or use the original packaging.

## 6. TROUBLESHOOTING

### 6.1. **AIR LEAKAGES**

Check that the tube is not damaged.

### 6.2. **COMPRESSOR TURNS BUT DOES NOT CHARGE**

It may be due to failure of the valves or a seal. Contact an authorised service centre.

### 6.3. **COMPRESSOR HAS TROUBLE STARTING**

Check that the mains power matches that of the rating plate. Check the extension cables are of suitable diameter and length. Check the working environment is not too cold (min. working temperature is 5°C). Check the motor thermal cut-out has not tripped (see 4.6).



### **WEEE REGULATIONS**

Dispose of this product at the end of its working life in compliance with the EU Directive on Waste Electrical and Electronic Equipment (WEEE). When the product is no longer required, it must be disposed of in an environmentally protective way. Contact your local solid waste authority for recycling information.



### **ENVIRONMENT PROTECTION**

Recycle unwanted materials instead of disposing of them as waste. All tools, accessories and packaging should be sorted, taken to a recycling centre and disposed of in a manner which is compatible with the environment. When the product becomes completely unserviceable and requires disposal, drain any fluids (if applicable) into approved containers and dispose of the product and fluids according to local regulations.



REGISTER YOUR PURCHASE HERE

**Note:** It is our policy to continually improve products and as such we reserve the right to alter data, specifications and component parts without prior notice.

**Important:** No Liability is accepted for incorrect use of this product.

**Warranty:** Guarantee is 12 months from purchase date, proof of which is required for any claim.

**Sealey Group, Kempson Way, Suffolk Business Park, Bury St Edmunds, Suffolk. IP32 7AR**



**01284 757500**



**sales@sealey.co.uk**



**www.sealey.co.uk**