



PORTABLE AIR COOLER

MODEL NO: **SAC100**

Thank you for purchasing a Sealey product. Manufactured to a high standard, this product will, if used according to these instructions, and properly maintained, give you years of trouble free performance.

IMPORTANT: PLEASE READ THESE INSTRUCTIONS CAREFULLY. NOTE THE SAFE OPERATIONAL REQUIREMENTS, WARNINGS & CAUTIONS. USE THE PRODUCT CORRECTLY AND WITH CARE FOR THE PURPOSE FOR WHICH IT IS INTENDED. FAILURE TO DO SO MAY CAUSE DAMAGE AND/OR PERSONAL INJURY AND WILL INVALIDATE THE WARRANTY. KEEP THESE INSTRUCTIONS SAFE FOR FUTURE USE.



Refer to
instructions

1. SAFETY

ELECTRICAL SAFETY

- ❑ **WARNING!** It is the user's responsibility to check the following:
 - ✓ Check all electrical equipment and appliances to ensure that they are safe before using. Inspect power supply leads, plugs and all electrical connections for wear and damage. Sealey recommend that an RCD (Residual Current Device) is used with all electrical products.
 - ✓ **Electrical safety information.** It is important that the following information is read and understood:
 - ✓ Ensure that the insulation on all cables and on the appliance is safe before connecting it to the power supply.
 - ✓ Regularly inspect power supply cables and plugs for wear or damage and check all connections to ensure that they are secure.
 - ✓ **Important:** Ensure that the voltage rating on the appliance suits the power supply to be used and that the plug is fitted with the correct fuse.
 - ✗ **DO NOT** pull or carry the appliance by the power cable.
 - ✗ **DO NOT** pull the plug from the socket by the cable.
 - ✗ **DO NOT** use worn or damaged cables, plugs or connectors. Ensure that any faulty item is repaired or is replaced immediately by a qualified electrician.
- If the cable or plug is damaged during use, switch off the electricity supply and remove from use.
- Ensure that repairs are carried out by a qualified electrician.**

1.1. GENERAL SAFETY

- ✓ Only use as described in this manual.
- ✗ **DO NOT** immerse the unit, plug or cord in water or spray with liquids. **DO NOT** place vases or similar objects filled with liquids near the unit.
- ✗ **DO NOT** use the unit within the immediate vicinity of water, such as bathtubs, wash bowls, swimming pools etc. where the likelihood of immersion or splashing could occur.
- ✓ Children should be supervised to ensure that they do not play with the appliance.
- ✓ Turn the unit off and unplug it from the mains when: not in use; when moving the unit from one location to another and before Maintenance or Cleaning.
- ✗ **DO NOT** operate in the presence of explosive and/or flammable liquids or plugs.
- ✗ **DO NOT** use the unit near an open flame, cooking or other heating appliance.
- ✗ **DO NOT** operate the unit with a damaged cord or plug, or if the product malfunctions or is damaged in any way.
- ✓ Avoid contact with moving parts. **DO NOT** insert anything through the grill when the unit is operating.
- ✓ The use of attachments is not recommended and may be hazardous.
- ✓ Place the unit on a dry level surface to avoid overturning.
- ✗ **DO NOT** operate if the housing is damaged.
- ✗ **DO NOT** cover the grill, or operate in close proximity to curtains etc. Ensure there is adequate ventilation around the unit.
- ✗ **DO NOT** use any substances that may damage the outer surface
- ✓ If the mains lead needs to be replaced, ensure it is carried out by a suitably qualified person.
- ✓ If the unit is not working properly contact a qualified technician for repair. Never attempt to dismantle the unit.
- ✓ Never install or store the unit where it could be subject to:
 - A. Heat sources such as radiators, heat registers, stoves or other products that produce heat
 - B. Direct sunlight.
 - C. Mechanical vibration or shock.
 - D. Excessive dust.
 - E. Lack of ventilation, such as a cabinet or bookcase.
 - F. Uneven surfaces.
- ✗ **DO NOT** leave the product running unattended.
- ✓ The castor wheels must be attached before use.
- ✓ **NOTE:** This appliance can be used by children aged from 8 years and above and persons with reduced physical, sensory or mental capabilities or lack of experience and knowledge if they have been given supervision or instruction concerning use of the appliance in a safe way and understand the hazards involved. Children shall not play with the appliance. Cleaning and user maintenance shall not be made by children without supervision.
- ✓ Children shall **NOT** play with the appliance.

- ✓ That the appliance shall be disconnected from its power source during service and when replacing parts and, if that the removal of the plug is foreseen, it shall be clearly indicated that the removal of the plug has to be such that an operator can check from any of the points to which he has access that the plug remains removed.
- ✓ Care should be taken when using the appliance due to the emission of hot water vapour.
- ✓ Unplug the appliance during filling and cleaning.

2. INTRODUCTION

Portable air-cooling unit with a modern and robust design. The cooler uses water evaporation technology with air movement to provide more economical cooling without refrigerants. Three easy touch wind speeds for desired airflow. Features two modes of swing alongside the cooling function allowing you to oscillate the fan and initiate the evaporation technology. 60L water tank with inlet float valve and shortage alarm. Electronic ambient temperature display with timing function from 1-12hours. Fitted with castor wheels for easy transportation. Supplied with remote control (batteries not included).

3. SPECIFICATION

Model No:	SAC100
Cooling Capacity:	Will cool an area 400-500m ³
Fuse Rating:	3Ah
Maximum Airflow:	6000m ³ /hr
Plug Type:	3-Pin BS
Power Supply Cable Length:	1.8m
Power:	250W
Supply:	230V 50Hz

4. ASSEMBLY

Take out unit carefully from packaging, check the product to see if any part is damaged, if so contact your Sealey stockist immediately. The product needs to have the caster wheels installed before use.

5. COMPONENTS

1	Air outlet	8	Buttons	15	Cooling pad
2	Wind blade	9	Button panel	16	Rear shell
3	Display panel	10	Cooling pad cover	17	Water gate
4	Front shell	11	Side shell	18	Water pipe joint
5	Water tank	12	Top cover	19	Water plug
6	Water gauge	13	Remote control	20	Power cord
7	Casters	14	Rear window		

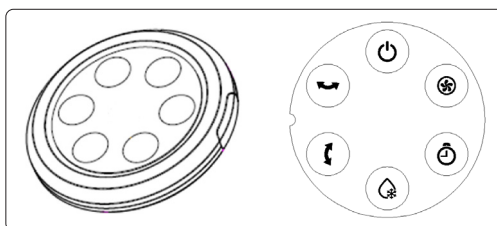
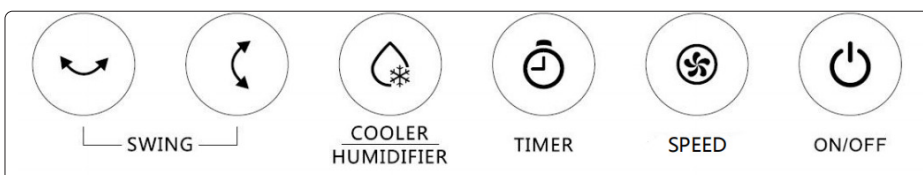
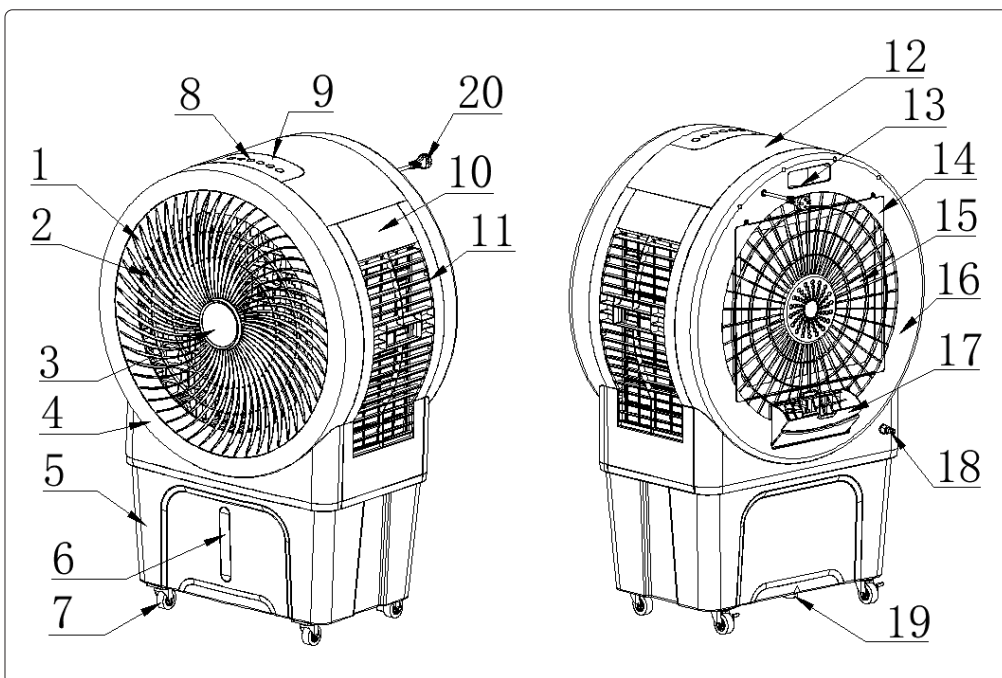


Diagram for operation panel of remote control.



The figure illustrated to the left shows the operation panel.

5.1. FILL WATER TANK

❑ **WARNING!** disconnect from mains supply before filling the water tank.

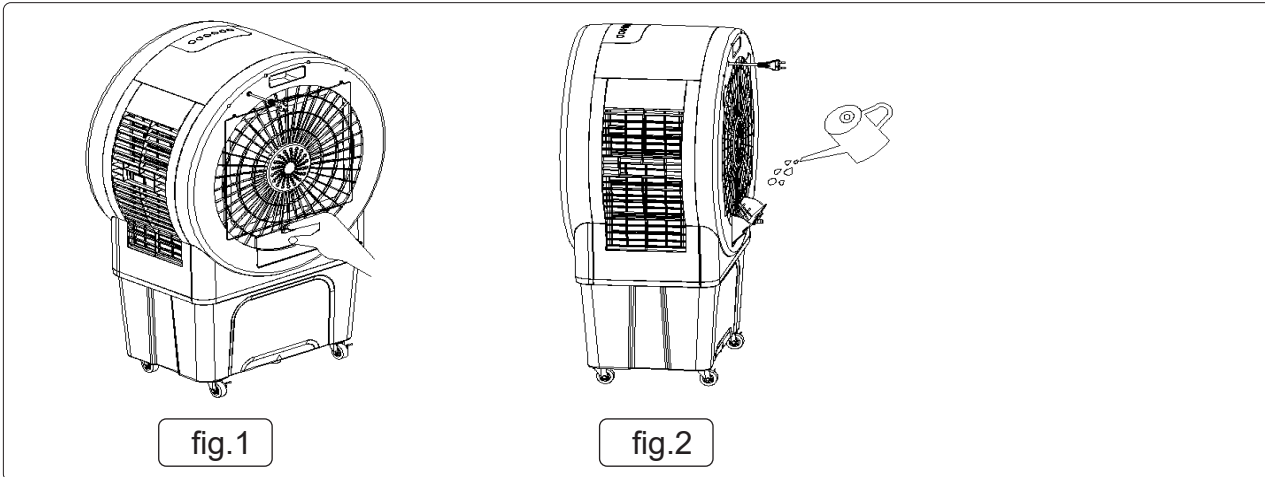
IMPORTANT! DO NOT use water with any chemical additives added. Water must be cold or lukewarm. **DO NOT** use water above 40°C.

If you need to turn on the cooling and humidification function, please add water to the water tank. Manual filling and automatic filling are available.

Please be sure to use clean tap water and that the caster brakes are applied.

MANUAL FILLING

Before filling water, first open the water gate and slowly inject the water into the tank (fig.1,2,3): After filling the water, close the water gate.



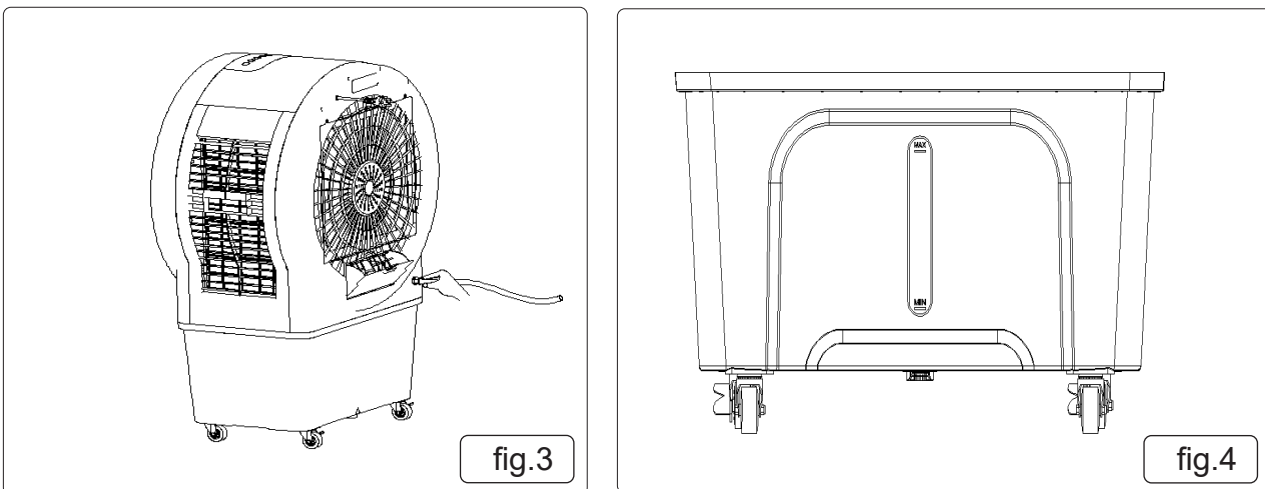
Open the water gate (fig.1)

Manually fill water (fig.2)

NOTE: Make sure that the water level in the tank does not go above the 'MAX' level indicated on the sight window located in the front bottom tank near filling point.

AUTOMATIC FILLING

Connect the machine to the tap with a hose and turn on the water source.



Automatic filling (fig.3)

Water level indicator (fig.4)

5.1.1. Once water is filled, take extra care to ensure that you don't tilt the cooler. Push the unit gently if you wish to move it to a new position.

5.1.2. Keep the unit on a flat, stable ground without any obstacles near it.

6. OPERATION

6.1. Connect to the mains supply.

6.2. After turning on the power, the machine beeps twice and the system enters a standby state.

6.3. ON/OFF BUTTON

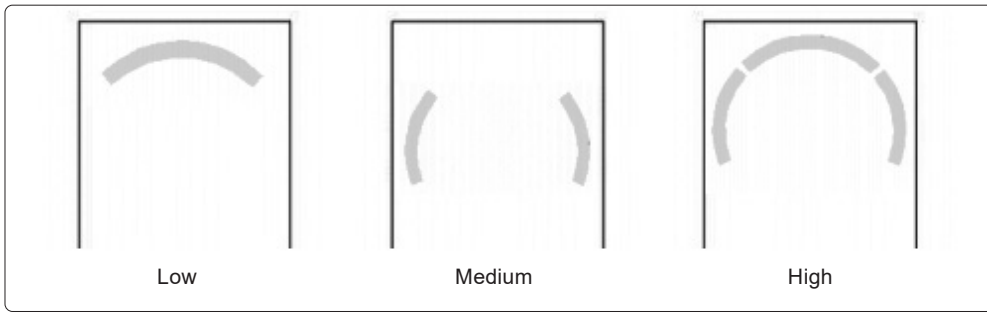
6.3.1. In standby state, press the ON/OFF button, the low speed indicator turns on, and the system enters working mode.

6.3.2. In working mode, press the ON/OFF button, the main motor turns off and enters standby state; when it is turned on again, it restores the working mode before shutdown. Only the power button and the timer button are available when the unit is turned off.

6.3.3. In the case of an unexpected power failure, the working mode at the time of power failure is restored when the power is turned on again.

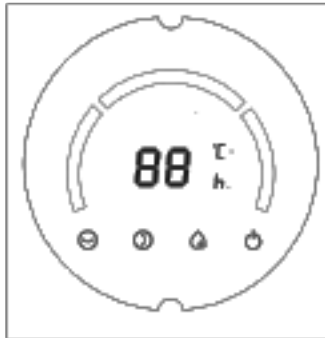
6.4. SPEED BUTTON

6.4.1. When the power is turned on the level indicator turns on the front display, represented as below.



TIMER BUTTON

6.4.2. In the working mode, this button allows the timer to be set from 0-12 hours; in standby state, this button is the power on button.



Display diagram of display panel (in working status).

TIMER FUNCTION

- 6.4.3. Press the 'TIMER' button to make the digital display indicate the status, Note the display will turn on and off within 0.5 seconds. At this moment, the TIMER button can be used to set the time to 0H → 1H → 2H → 3H → 4H → 5H → 6H → 7H → 8H → 9H → 10H → 11H → 12H → 0H → 1H → 2H → ...; the step size is 1 hour, and the prefix 0 is not displayed.
- 6.4.4. → 10H → 11H → 12H → 0H → 1H → 2H → ...; the step size is 1 hour, and the prefix 0 is not displayed.
- 6.4.5. After setting the timer, the digital display will show the ambient temperature and timer alternately if there is no operation within 5 seconds.
- 6.4.6. If the value 0 is selected, it means that the timer is not set. The digital display displays the ambient temperature immediately if there is no operation in 5 seconds or any other button is pressed within 5 seconds.
- 6.4.7. If the timer is not set, the digital display always displays the current ambient temperature, the unit °C/°F lights up, and the display range is (-9°C~40°C) (10°F~99 °F), (LO displays when the temperatures is below -9°C/10°F, and HI displays when the temperatures is above 40°C/99°F). If the timer is set, the ambient temperature is displayed for 5 seconds and then the remaining time is displayed for 5 seconds alternately.

6.5. COOLER/HUMIDIFIER BUTTON

In the working mode, press the COOLER/HUMIDIFIER button to control the on/off of the pump inside the machine.

6.6. UP-DOWN SWING BUTTON

6.6.1. In the working mode, press the up-down swing button to turn on the up-down swing.

6.7. LEFT-RIGHT SWING BUTTON

6.7.1. In the working mode, press the left-right swing button to turn on the left-right swing.

6.8. IN THE EVENT OF POWER FAILURE

6.8.1. When the power is restored, the device machine beeps 10 times (once per second), there will be no display or operation; it restores the last working state after 30 seconds (all functions are restored, including the water shortage protection.)

6.8.2. If you press the power button during the recovery time, the last state is restored immediately.

6.8.3. The power-off memory function isn't available when the power is turned on again after standard shutdown.

6.9. WATER SHORTAGE

6.9.1. When the cooling mode is turned on, the mode control unit starts to detect whether there is water in the water tank when the pump has been running for 5 seconds. If the software detects that there is a water shortage the water pump stops working and the machine will beep 10 times. If the power fails the water pump control unit, will start to detect whether there is water in the water tank when the power is restored.

6.9.2. Turn off the cooling/humidifying function and fill the tank with water. Once full the function can continue to be used.

6.9.3. POWER FAILURE MEMORY FUNCTION

6.9.4. In the event of a power failure, when the power is restored after the power is cut off, the machine beeps 10 times (once per second). There will be no display or operation, it will restore the last power on state after 30 seconds. All functions including the water shortage protection will be restored at this point.

6.9.5. If you press the power button during the recovery time, the last state is restored immediately.

6.9.6. The power-off memory function isn't available when the power is turned on again after normal shutdown.

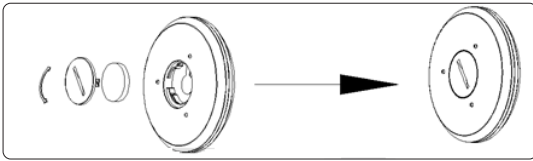
6.9.7. AUTOMATIC SHUTDOWN FUNCTION

6.9.8. When the machine has been working continuously for 15 hours without any operation (no button or remote control operation), it will automatically shut down. When it is turned on again, it enters the state before shutdown. If you want to cancel this function, press and hold the Cooling + Timer button for 3 seconds, and the automatic shutdown function is cancelled when the buzzer beeps; pressing the two buttons for 3 seconds again will resume the automatic shutdown.

7. MAINTENANCE

7.1. REMOTE BATTERY REPLACEMENT

- 7.1.1. First open the battery cover on the back of the remote control and install a 3V CR2032 battery (not included).
- 7.1.2. To open the battery cover: first rotate counter-clockwise to detach the battery cover buckle, and then directly remove it.
- 7.1.3. When using, please aim at the receiver position.
- 7.1.4. When the battery power is used up, rotate the battery cover in the arrow direction and replace with new battery (CR2032 3V). Please pay attention to the positive and negative terminals of the battery, and then restore the battery cover.



Refer to section 6.5.3 at end of these instructions regarding battery disposal.

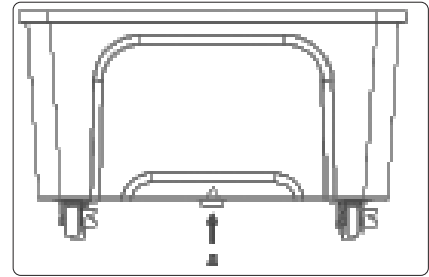


fig.5

8. CLEANING

- × **DO NOT** use chemical detergents when cleaning.
- 8.1. Before any maintenance please unplug the power cord, otherwise it may cause electric shock. If there is accumulation of dust on the surface, please wipe it with a soft or damp cloth.
 - 8.2. **CLEANING OF THE HONEYCOMB COOLING PADS**
 - 8.2.1. Unplug the power cord, remove the screws on the rear and side windows and remove the pads.
 - 8.2.2. Wash the cooling pad with gentle fresh running water, **DO NOT** use high pressure washer. **DO NOT** use acid or alkaline chemicals.
 - 8.2.3. Ensure the honeycomb cooling pads are completely dry before replacing them back into the unit.
 - 8.2.4. Use a soft cloth to remove any dust or debris from the rear and side windows before replacing.
 - 8.2.5. Once dry put the honeycomb pads back into the unit, re-attach the rear and side windows fixing the screws in place.
 - 8.2.6. **CLEANING OF THE BODY SURFACE.**
 - 8.2.7. To clean the surface of the machine use a damp cloth **DO NOT** spray directly with water.
 - 8.2.8. Do not use corrosive detergent or solvent for cleaning.
 - 8.3. **TO EMPTY THE TANK**
 - 8.3.1. When the unit is not used for a long time, unplug the power, pack the unit and prevent dust from entering. Before packaging, ensure that the cooling pad and dust-proof filter are totally dry, and there is no water left in the water tank.
 - 8.3.2. To empty the tank pull out the water plug at the bottom of the tank to drain, ensure all water has been drained out before re-tightening the water plug (fig.5).



ENVIRONMENT PROTECTION

Recycle unwanted materials instead of disposing of them as waste. All tools, accessories and packaging should be sorted, taken to a recycling centre and disposed of in a manner which is compatible with the environment. When the product becomes completely unserviceable and requires disposal, drain any fluids (if applicable) into approved containers and dispose of the product and fluids according to local regulations.



REGISTER YOUR PURCHASE HERE



WEEE REGULATIONS

Dispose of this product at the end of its working life in compliance with the EU Directive on Waste Electrical and Electronic Equipment (WEEE). When the product is no longer required, it must be disposed of in an environmentally protective way. Contact your local solid waste authority for recycling information.



BATTERY REMOVAL: SEE SECTION 6.5.3

Under the Waste Batteries and Accumulators Regulations 2009, Jack Sealey Ltd are required to inform potential purchasers of products containing batteries (as defined within these regulations), that they are registered with Valpak's registered compliance scheme. Jack Sealey Ltd Batteries Producer Registration Number (BPRN) is BPRN00705.

Note: It is our policy to continually improve products and as such we reserve the right to alter data, specifications and component parts without prior notice.

Important: No Liability is accepted for incorrect use of this product.

Warranty: Guarantee is 12 months from purchase date, proof of which is required for any claim.

Sealey Group, Kempson Way, Suffolk Business Park, Bury St Edmunds, Suffolk. IP32 7AR



01284 757500



sales@sealey.co.uk



www.sealey.co.uk