



AUTO-REWIND CONTROL AIR HOSE REELS

MODEL NO: SA93.V3/SA94.V3

Thank you for purchasing a Sealey product. Manufactured to a high standard, this product will, if used according to these instructions, and properly maintained, give you years of trouble free performance.

IMPORTANT: PLEASE READ THESE INSTRUCTIONS CAREFULLY. NOTE THE SAFE OPERATIONAL REQUIREMENTS, WARNINGS & CAUTIONS. USE THE PRODUCT CORRECTLY AND WITH CARE FOR THE PURPOSE FOR WHICH IT IS INTENDED. FAILURE TO DO SO MAY CAUSE DAMAGE AND/OR PERSONAL INJURY AND WILL INVALIDATE THE WARRANTY. KEEP THESE INSTRUCTIONS SAFE FOR FUTURE USE.



Refer to instruction manual



Wear eye protection

1. SAFETY

- ✓ Familiarise yourself with the application and limitations of the air hose reel, as well as the specific hazards.
- ❑ **WARNING!** Disconnect the air hose reel from the air supply before servicing or performing any maintenance.
- ✓ Maintain the air hose reel in good condition (use an authorised service agent).
- ✓ Replace or repair damaged parts. *Use recommended parts only. Unauthorised parts may be dangerous and will invalidate the warranty.*
- ✓ Locate and fix the air hose reel in a suitable working area, ensure that the correct fixings are used to secure the unit to the wall.
- ✗ **DO NOT** position the hose in direct sun light, or in areas of extreme heat or cold.
- ✗ **DO NOT** mount inside spray booth/oven.
- ✓ Ensure that there is adequate lighting.
- ❑ **WARNING!** Ensure maximum air pressure is not exceeded.
- ❑ **WARNING! DO NOT** over extend the hose as this will cause the mechanism to malfunction, preventing the hose from retracting.
- ✓ Keep extended air hose away from heat, oil and sharp edges.
- ✓ Check hose for wear before each use and ensure all connections are secure.
- ✓ Keep the unwound air hose away from wet, damp, oily surfaces.
- ❑ **WARNING!** Always wear approved eye protection when operating the air hose reel.
- ✓ Maintain correct balance and footing. Ensure the floor is not slippery and wear non-slip shoes.
- ✓ Remove ill fitting clothing. Remove ties, watches, rings, other loose jewellery and contain and/or tie back long hair.
- ✓ Keep children and unauthorised persons away from the working area.
- ✗ **DO NOT** operate the air hose reel if any parts are damaged or missing as this may cause failure and/or personal injury.
- ✗ **DO NOT** use the air hose reel for any purpose other than that for which it is designed.
- ✗ **DO NOT** operate the air hose reel when you are tired or under the influence of alcohol, drugs or intoxicating medication.
- ✗ **DO NOT** direct air from the air hose at yourself or others.
- ✓ When not in use, ensure the air supply is turned off and tools disconnected. Disconnect from the air supply and retract the hose into case.
- ❑ **WARNING! DO NOT** dismantle the hose reel casing. *To do so may result in damage to the appliance and/or personal injury and will invalidate the warranty. Internal maintenance, which will require the opening of the casing, must only be undertaken by an authorised service agent.*

2. INTRODUCTION

Tough, durable design suitable for professional workshops. Controlled, slow rewind mechanism returns the air hose at a safe speed. Length control allows hose to be extended and positioned at any length. Self layering system provides tangle-free operation. Solid brass internal spindle for added strength and durability. Fitted with reinforced PVC braided hose. Supplied with heavy-duty swivel mounted wall bracket and 2m inlet hose.

3. SPECIFICATION

Model No:	SA93.V3	SA94.V3
Hose Length:	20mtr	15mtr
Hose Size (ID/OD):	10/16mm	12.5/18.5mm
Maximum Pressure:	300psi	300psi
Hose Type:	Reinforced Braided PVC	Reinforced Braided PVC
Inlet/Outlet:	3/8"BSPT	1/2"BSPT

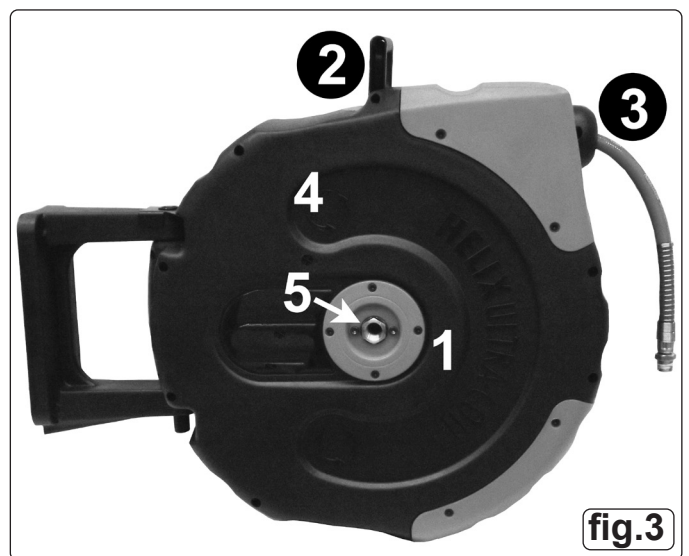
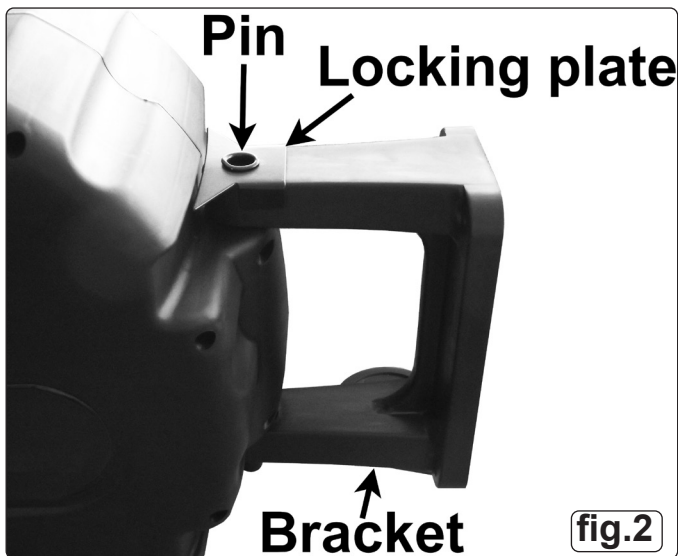
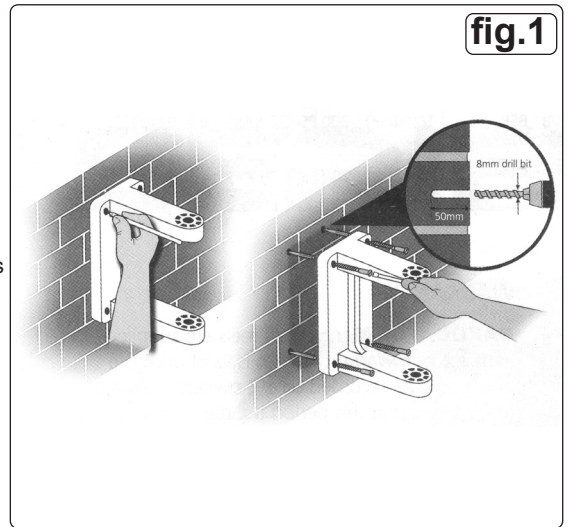
4. MOUNTING

- 4.1. The mounting bracket **MUST** be installed on a flat surface. It is recommended that the mounting bracket is installed a minimum of 0.8 metres above the floor level.
- 4.2. This reel can be mounted in a vertical or horizontal position. If mounting the reel over 1.8 metres it is advised that the reel is mounted vertically.
- 4.3. If mounting vertically, ensure there is adequate clearance underneath to prevent injury or damage.
- 4.4. The reel should be able to swing through 180° unless the locking plate has been installed, see fig.2.

4.5. MOUNTING THE BRACKET (REFER TO FIG.1)

- 4.5.1. Choose a location that is close to the compressed air source. For large areas place the reel in the centre of the work space.
- 4.5.2. Measure the position of the bracket 0.8 metres from the floor (minimum) and mark the bracket position through the screw holes, onto the wall.
- 4.5.3. Using a spirit level lined up with the top two markings, make sure the bracket will be level.
- 4.5.4. Drill four holes to match the holes located on the mounting bracket. Holes need to be 8mm wide and 50mm deep.
- 4.5.5. Insert the wall plugs and screw the bracket into place. You must use wall plugs and screws appropriate to the installation surface.
- 4.6. FITTING THE CONNECTING HOSE (REFER TO FIG.3)
- 4.6.1. Lay the reel on a soft surface with the inlet side facing up.
- 4.6.2. Attach the 90° brass elbow to the reel inlet and brass swivel female to the supply, see fig.3.5.
- 4.7. INSTALLING THE REEL
- 4.7.1. Lift the reel onto the bracket and line up the holes in the bracket with those on the reel.
- 4.7.2. Push the pivot pin through the top hole and down through the bottom hole in the bracket, which will secure the reel in place and allow it to move through 180°.

NOTE: If the reel is required to be static, place the locking plate onto the mounting bracket prior to inserting the pin, see fig.2.



- 1 - Solid brass internal spindle
2 - Carry handle
3 - Hose with adjustable stopper
4 - Fully enclosed case
5 - Inlet connector

5. OPERATION

- WARNING! DO NOT** attempt to open the inner drum assembly.
 - WARNING! DO NOT** let go of the hose while rewinding. Always walk the hose back to the reel holding the hose.
 - WARNING! DO NOT** place fingers or objects in the hose case at any time.
 - WARNING! DO NOT** attempt to fix the product if damaged, return to Sealey service agent.
 - WARNING!** If the hose becomes tangled and will not retract, slowly pull out the hose past the tangled section and then allow the hose to slowly retract while guiding the hose back into the hose reel. Always ensure the hose is clean and not twisted.
- 5.1. Slowly pull out the hose to the required length. A clicking noise will be heard every revolution of the inner drum. To lock the reel, allow the hose to retract slowly after hearing the second or third click.
- 5.2. To release the hose, pull out the hose until the clicking noise stops, Controlled, slow rewind will occur which returns the air hose at a safe speed. The self-layering mechanism will coil the hose back onto the inner drum.
- 5.3. To avoid injury and damage always hold the hose while it is retracting.
- 5.4. Always retract the hose when not in use

6. MAINTENANCE

- 6.1. Always keep the hose clean.
- 6.2. If the hose becomes dirty, clean it with a damp cloth whilst retracting the hose.
- × **DO NOT** twist the hose whilst in use.
 - × **DO NOT** allow the hose to contact any corrosive chemicals or fluids.

Parts support is available for this product. Please email sales@sealey.co.uk or telephone 01284 757500



ENVIRONMENT PROTECTION

Recycle unwanted materials instead of disposing of them as waste. All tools, accessories and packaging should be sorted, taken to a recycling centre and disposed of in a manner which is compatible with the environment. When the product becomes completely unserviceable and requires disposal, drain any fluids (if applicable) into approved containers and dispose of the product and fluids according to local regulations.



REGISTER YOUR
PURCHASE HERE

Note: It is our policy to continually improve products and as such we reserve the right to alter data, specifications and component parts without prior notice. Please note that other versions of this product are available. If you require documentation for alternative versions, please email or call our technical team on technical@sealey.co.uk or 01284 757505.

Important: No Liability is accepted for incorrect use of this product.

Warranty: Guarantee is 12 months from purchase date, proof of which is required for any claim.

Sealey Group, Kempson Way, Suffolk Business Park, Bury St Edmunds, Suffolk. IP32 7AR



01284 757500



sales@sealey.co.uk



www.sealey.co.uk