



AIR IMPACT WRENCH 3/8"SQ DRIVE

MODEL NO: SA91.V3

Thank you for purchasing a Sealey product. Manufactured to a high standard, this product will, if used according to these instructions, and properly maintained, give you years of trouble free performance.

IMPORTANT: PLEASE READ THESE INSTRUCTIONS CAREFULLY. NOTE THE SAFE OPERATIONAL REQUIREMENTS, WARNINGS & CAUTIONS. USE THE PRODUCT CORRECTLY AND WITH CARE FOR THE PURPOSE FOR WHICH IT IS INTENDED. FAILURE TO DO SO MAY CAUSE DAMAGE AND/OR PERSONAL INJURY AND WILL INVALIDATE THE WARRANTY. KEEP THESE INSTRUCTIONS SAFE FOR FUTURE USE.



Refer to instructions



Wear eye protection



Wear protective gloves



Wear ear protection



Wear a mask

1. SAFETY

- ✓ Follow all Health & Safety and general workshop rules, regulations and conditions when using the wrench.
- ❑ **WARNING!** Disconnect from air supply before changing accessories or servicing.
- ✓ Maintain the wrench in good condition and replace any damaged or worn parts. *Use genuine parts only. Unauthorised parts may be dangerous and will invalidate the warranty.*
- ❑ **WARNING!** Check correct air pressure is maintained and not exceeded. We recommend 90psi.
- ✓ Keep air hose away from heat, oil and sharp edges. Check air hose for wear before each use and ensure that all connections are secure.
- ✓ Only use impact sockets which are specifically designed for use with an impact wrench.
- ✓ Wear approved safety eye/face shield, ear defenders and hand protection.
- ❑ **WARNING!** Due to the possible presence of asbestos dust from brake linings, when working around vehicle brake systems we recommend you wear suitable respiratory protection.
- ✓ Maintain correct balance and footing. Ensure that the floor is not slippery and wear non-slip shoes.
- ✓ Keep children and non-essential persons away from the work area.
- ✗ **DO NOT** use the wrench for a task that it is not designed to perform.
- ❑ **WARNING! DO NOT** use the wrench if it is damaged or thought to be faulty.
- ✗ **DO NOT** use wrench unless you have been instructed in its use by a qualified person.
- ✗ **DO NOT** carry the wrench by the air hose, or yank the hose from the air supply.
- ✗ **DO NOT** operate the wrench if you are tired or under the influence of alcohol, drugs or intoxicating medication.
- ✓ To avoid unintentional starting **DO NOT** carry the wrench with your finger on the trigger.
- ✗ **DO NOT** direct air from the air hose at yourself or others.
- ✓ When not in use, disconnect from the air supply and store in a safe, dry, childproof location.

2. INTRODUCTION

Fingertip forward/reverse throttle control. Fitted with rocking-dog clutch, nine-position air/torque control and Z-swivel air inlet. One-handed operation and compact size make this tool especially suitable for engine bay work.

3. SPECIFICATION

Model No:SA91.V3
 Drive:3/8"sq
 Breakaway Torque: 130lb.ft (177Nm)
 Maximum Torque: 120lb.ft (162Nm)
 Free Speed: 10,000rpm
 Air Consumption: 3cfm
 Operating Pressure:90psi
 Air Inlet: 1/4"BSP
 Vibration:5.17m/s²
 Uncertainty: 1.5m/s²
 Noise Power: 102dB(A)
 Noise Pressure: 91dB(A)
 Nett Weight: 0.83kg



4. AIR SUPPLY

- 4.1. Recommended hook-up is shown in (fig.1).
- 4.1.1. Ensure that the wrench trigger is in the "Off" position before connecting the air supply.
- 4.1.2. You will require an air pressure of 90psi and an air flow of 4.5cfm.
- **WARNING!** Ensure that the air supply is clean and does not exceed 90 psi. Too high an air pressure and/or unclean air will cause excessive wear and may result in damage and/or personal injury.
- 4.1.3. Drain the compressor air tank daily. Water in the air line will damage the wrench.
- 4.1.4. Clean compressor air inlet filter weekly.
- 4.1.5. Line pressure should be increased to compensate for unusually long air hoses (over 8 metres). Hose internal diameter and the bore of fittings should be 1/4" minimum.
- 4.1.6. Keep hose away from heat, oil and sharp edges. Before each use check hose for wear and make certain that all connections are secure.
- 4.2. **COUPLINGS** Vibration may cause failure if a quick-connect coupling is fitted directly to the wrench. To overcome this, connect a leader hose to the wrench. A quick-connect coupling may then be used between the leader hose and the air line recoil hose. See (figs.1 & 2).

fig.1

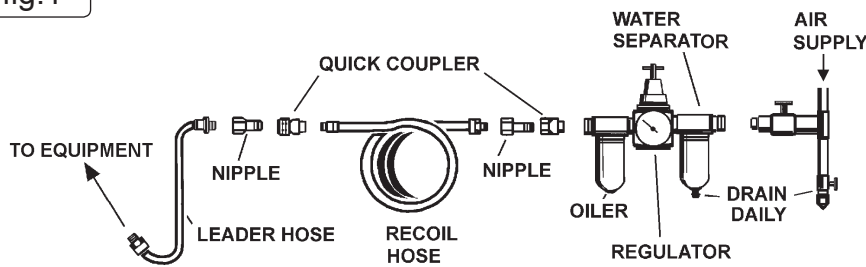
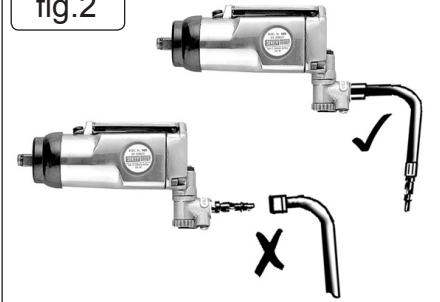


fig.2



5. OPERATION

- **WARNING! Ensure that you read, understand and apply safety instructions before use.**
- 5.1. Only use impact sockets which are specifically designed for use with an impact wrench.
- * **DO NOT** use worn or damaged sockets.
- 5.2. Connect the wrench to the air supply as described in Section 4.
- 5.3. Place the socket over the nut/bolt and depress the trigger to operate the wrench.
- 5.4. To change rotation, push the opposite side of the trigger. Press the side marked F for forward (clockwise) and the side marked R for reverse (anticlockwise).
- 5.5. The flow of air may be regulated by adjusting the flow valve at the base of the handle.
- * **DO NOT** use any additional force on the wrench in order to loosen/tighten a fixing.
- * **DO NOT** allow the wrench to free-run for an extended period as this may damage the bearings.

6. MAINTENANCE

- **WARNING!** Disconnect the wrench from the air supply before changing accessories, servicing or performing maintenance. Replace or repair damaged parts. *Use genuine parts only. Unauthorised parts may be dangerous and will invalidate the warranty.*
- 6.1. If the air supply system does not have an oiler, lubricate the wrench daily with a few drops of Sealey air tool oil dripped into the air inlet.
- 6.2. On a monthly basis lubricate the wrench mechanism with machine oil via the screw plug just in front of the throttle lever.
- 6.3. Clean the wrench after use.
- 6.4. Loss of power or erratic action may be due to the following:
- a) Excessive drain on the air line. Moisture or restriction in the air pipe. Incorrect size or type of hose connectors. To rectify, check the air supply and follow instructions in Section 4.
- b) Grit or gum deposits in the wrench will also reduce performance. If your model has an air strainer (located in the air inlet), remove the strainer and clean it. Flush the wrench out with gum solvent oil or an equal mixture of SAE 10 oil and paraffin. Allow to dry before use.
- 6.5. When not in use, disconnect from the air supply, clean and store in a safe, dry, childproof location.

WARNING! – Risk of Hand Arm Vibration Injury.

This tool may cause Hand Arm Vibration Syndrome if its use is not managed adequately.

This tool is subject to the vibration testing section of the Machinery Directive 2006/42/EC.

This tool is to be operated in accordance with these instructions.

Measured vibration emission value (a): **5.17 m/s²**

Uncertainty value (k): **1.5m/s²**

Please note that the application of the tool to a sole specialist task may produce a different average vibration emission. We recommend that a specific evaluation of the vibration emission is conducted prior to commencing with a specialist task.

A health and safety assessment by the user (or employer) will need to be carried out to determine the suitable duration of use for each tool.

NB: Stated Vibration Emission values are type-test values and are intended to be typical.

Whilst in use, the actual value will vary considerably from and depend on many factors.

Such factors include; the operator, the task and the inserted tool or consumable.

NB: ensure that the length of leader hoses is sufficient to allow unrestricted use, as this also helps to reduce vibration.

The state of maintenance of the tool itself is also an important factor, a poorly maintained tool will also increase the risk of Hand Arm Vibration Syndrome.

Health surveillance.

We recommend a programme of health surveillance to detect early symptoms of vibration injury so that management procedures can be modified accordingly.

Personal protective equipment.

We are not aware of any personal protective equipment (PPE) that provides protection against vibration injury that may result from the uncontrolled use of this tool. We recommend a sufficient supply of clothing (including gloves) to enable the operator to remain warm and dry and maintain good blood circulation in fingers etc. Please note that the most effective protection is prevention, please refer to the Correct Use and Maintenance section in these instructions. Guidance relating to the management of hand arm vibration can be found on the HSE website www.hse.gov.uk - Hand-Arm Vibration at Work.



ENVIRONMENT PROTECTION

Recycle unwanted materials instead of disposing of them as waste. All tools, accessories and packaging should be sorted, taken to a recycling centre and disposed of in a manner which is compatible with the environment. When the product becomes completely unserviceable and requires disposal, drain any fluids (if applicable) into approved containers and dispose of the product and fluids according to local regulations.



WEEE REGULATIONS

Dispose of this product at the end of its working life in compliance with the EU Directive on Waste Electrical and Electronic Equipment (WEEE). When the product is no longer required, it must be disposed of in an environmentally protective way. Contact your local solid waste authority for recycling information.

Note: It is our policy to continually improve products and as such we reserve the right to alter data, specifications and component parts without prior notice.

Important: No Liability is accepted for incorrect use of this product.

Warranty: Guarantee is 12 months from purchase date, proof of which is required for any claim.

Sealey Group, Kempson Way, Suffolk Business Park, Bury St Edmunds, Suffolk. IP32 7AR



01284 757500



01284 703534



sales@sealey.co.uk



www.sealey.co.uk