

### Models: SA86, SA89, SA892, SA893, SA894 & SA895

Thank you for purchasing a Sealey product. Manufactured to a high standard this product will, if used according to these instructions and properly maintained, give you years of trouble free performance.



**IMPORTANT: PLEASE READ THESE INSTRUCTIONS CAREFULLY. NOTE THE SAFE OPERATIONAL REQUIREMENTS, WARNINGS & CAUTIONS. USE THE PRODUCT CORRECTLY AND WITH CARE FOR THE PURPOSE FOR WHICH IT IS INTENDED. FAILURE TO DO SO MAY CAUSE DAMAGE AND/OR PERSONAL INJURY, AND WILL INVALIDATE THE WARRANTY. PLEASE KEEP INSTRUCTIONS SAFE FOR FUTURE USE.**

### 1. SAFETY INSTRUCTIONS

- 3 Familiarise yourself with the application and limitations of the air hose reel, as well as the specific hazards.
- p **WARNING!** Disconnect the air hose reel from the air supply before changing accessories, servicing or performing any maintenance.
- 3 Maintain the air hose reel in good condition (use an authorised service agent).
- 3 Replace or repair damaged parts. *Use recommended parts only. Unauthorised parts may be dangerous and will invalidate the warranty.*
- 3 Locate and fix the air hose reel in a suitable working area. Do not position the hose in direct sun light, or in areas of extreme heat or cold. Ensure there is adequate lighting.
- p **WARNING!** Ensure maximum air pressure is not exceeded.
- 3 Keep extended air hose away from heat, oil and sharp edges. Check hose for wear before each use, and ensure all connections are secure.
- 3 Keep the unwound air hose at a safe distance from the working area and free from wet, damp, oily surfaces.
- p **WARNING!** Always wear approved eye or face protection when operating the air hose reel.
- 3 Maintain correct balance and footing. Ensure the floor is not slippery and wear non-slip shoes.
- 3 Remove ill fitting clothing. Remove ties, watches, rings, and other loose jewellery and contain and/or tie back long hair.
- 3 Keep children and unauthorised persons away from the working area.
- 7 **DO NOT** operate the air hose reel if any parts are damaged or missing as this may cause failure and/or personal injury.
- 7 **DO NOT** exceed the rated capacity of the air hose reel.
- 7 **DO NOT** use the air hose reel for any purpose other than that for which it is designed.
- 7 **DO NOT** yank the hose from the air supply.
- 7 **DO NOT** operate the air hose reel when you are tired, under the influence of alcohol, drugs or intoxicating medication.
- 7 **DO NOT** direct air from the air hose at yourself or others.
- 3 When not in use ensure the air supply is turned off and tools disconnected. Disconnect from the air supply and retract the hose into case.
- p **WARNING! DO NOT** dismantle the hose reel casing, or attempt to remove the screws on the sides, or the lid above the hose clamping lever. *To do so may result in damage to the appliance and/or personal injury and will invalidate the warranty. Internal maintenance, which will require the opening of the casing, must only be undertaken by an authorised service agent.*

### 2. INTRODUCTION & SPECIFICATIONS

All models have a hard wearing composite casing with retracting air hose reel, ratchet and free-running operation enabling easy access to locations within the extended air hose range. All reels can be wall or ceiling mounted and come complete with attachment brackets.

MODEL NO.	SA86	SA89	SA892	SA893	SA894	SA895
Hose length	.6m	.12m	.10m	.8m	.15m	.10m
Hose bore	.6mm	.6mm	.6mm	.8mm	.8mm	.10mm
Maximum pressure	.10 bar	.10 bar	.10 bar	.10 bar	.10 bar	.10 bar
Hose type	Polyurethane	Polyurethane	Polyurethane	Polyurethane	Polyurethane	Polyurethane
Inlet - Outlet Ø	1/4" BSP	1/4" BSP	1/4" BSP	1/4" BSP	1/4" BSP	3/8" BSP

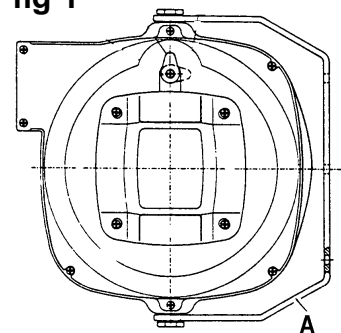
### 3. FITTING THE HOSE REEL

p **WARNING!** Ensure the hose is disconnected from the air supply. Do not position the hose in direct sun light or in areas of extreme heat or cold.

#### 3.1. Fitting to the wall.

- 3.1.1. Ensure the wall, or structure, to which the air hose is to be fixed is of sound construction and that the securing point will hold the working strain of the hose when in use.
- 3.1.2. Vertically align air hose supporting bracket (fig 1.A), with surface to which it will be mounted.
- 3.1.3. Drill and plug the wall and screw mount the support bracket.
- 3.1.4. Check to ensure that the main body will adequately turn to allow the hose to be extended without rubbing on either side of the air hose housing.
- 3.1.5. Before use, check that all fixings are safe and secure, and that the hose extends and retracts with ease.

fig 1



01284 757500

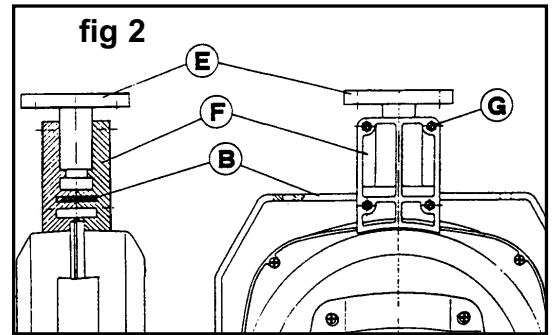


01284 703534

E-mail: [sales@sealey.co.uk](mailto:sales@sealey.co.uk)

### 3.2. Fitting to the ceiling.

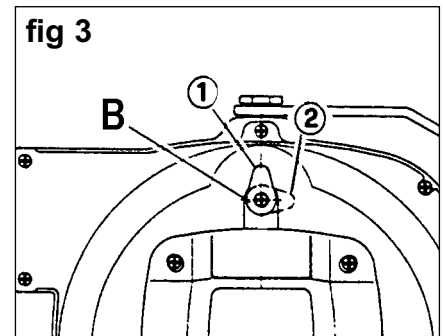
- 3.2.1. Ensure the ceiling to which the air hose is to be fixed is of sound construction, and that the securing point will hold the working strain of the hose when in use.
- 3.2.2. Fix pin and base plate (fig 2. E), where supplied, to ceiling by means of four anchor screws.
- 3.2.3. Mount the two halves of the rotating support (F), over support bracket (B), and the base plate pin.
- 3.2.4. Secure the two halves of the rotating support with the four screws provided.
- 3.2.5. Before use, check all fixtures and supports to ensure they are safe and secure, and that the hose will extend and retract with ease.



## 4. HOSE CLAMPING SYSTEM

- p **WARNING!** Ensure the air supply is disconnected.
- 4.1. Locate the hose clamp lever on the side of the main housing (fig 3. B).
  - 4.2. To clamp the hose whilst in an extended position, place the clamp lever in position (1), locate the hose ball grip and pull the hose outward. An intermittent fast clicking noise will be noticed as the hose passes through the clamping mechanism. When you stop pulling the hose it will remain clamped at that length.
  - 4.3. To extend the hose further, take the ball grip and continue to pull accordingly.
  - 4.4. To release and allow the hose to automatically rewind, extend the hose a little further and release during a quiet stage between the clicking noises. Practice a few times, so that you will be familiar with the feel of the hose, thus eliminating the reliance upon sounds.
  - 4.5. To release the cable so that it will remain in constant tension, pull the clamp lever outward and turn 90° (see fig 3 position 2.).

Note: Model SA86 does not have a hose clamp lever as described above. On this model raise the hinged cover (to rear of air inlet hose) to reveal a coil spring attached to the clamp lever. Move the spring from the upper to the lower anchorage point to give constant tension.



## 5. MAINTENANCE & STORAGE

- p **WARNING!** Before attempting maintenance or inspection vent any pressure remaining in the hose. To ensure reliable operation, clean the hose and casing regularly. **DO NOT** spray or wet the product, but clean with a cloth and warm water. **DO NOT** use solvents or detergents, as these may permanently damage the item. The hose reel does not require special maintenance as it is lubricated for life. If the product needs to be opened, consult your nearest authorised service agent.

**WARNING: DO NOT attempt to loosen, or remove, any casing screws yourself.**

Replacement of the supply hose should be carried out by skilled personnel only, consult your nearest authorised service agent.

### STORAGE:

Should you wish to store the air hose, ensure it is clean and dry. Place the item in a dark, safe, dry, childproof location, where the temperature will remain reasonably stable. **DO NOT** store in a nylon, or plastic, bag as this will encourage condensation.

**NOTE:** It is our policy to continually improve products and as such we reserve the right to alter data, specifications and component parts without prior notice.

**IMPORTANT:** No liability is accepted for incorrect use of this equipment.

**WARRANTY:** Guarantee is 12 months from purchase date, proof of which will be required for any claim.

**INFORMATION:** For a copy of our latest catalogue and promotions call us on 01284 757525 and leave your full name and address, including postcode.

**SEALEY POWER TOOLS**

Sole UK Distributor,  
Sealey Group,  
Bury St. Edmunds, Suffolk.



01284 757500



01284 703534

E-mail: [sales@sealey.co.uk](mailto:sales@sealey.co.uk)