

# INSTRUCTIONS FOR: RETRACTABLE AIR HOSE REEL

## Models: SA84 & SA85

Thank you for purchasing a Sealey product. Manufactured to a high standard this product will, if used according to these instructions and properly maintained, give you years of trouble free performance.

**IMPORTANT: PLEASE READ THESE INSTRUCTIONS CAREFULLY. NOTE THE SAFE OPERATIONAL REQUIREMENTS, WARNINGS AND CAUTIONS. USE THE PRODUCT CORRECTLY AND WITH CARE FOR THE PURPOSE FOR WHICH IT IS INTENDED. FAILURE TO DO SO MAY CAUSE DAMAGE AND/OR PERSONAL INJURY AND WILL INVALIDATE THE WARRANTY. PLEASE KEEP INSTRUCTIONS SAFE FOR FUTURE USE.**

### 1. SAFETY INSTRUCTIONS

- ✓ Familiarise yourself with the applications, limitations and specific hazards of the air hose reel.
- ❑ **WARNING!** Disconnect the air hose reel from the air supply before changing accessories, servicing or performing any maintenance.
- ✓ Maintain the air hose reel in good condition (use an authorised service agent).
- ✓ Replace or repair damaged parts. *Use recommended parts only. Unauthorised parts may be dangerous and will invalidate the warranty.*
- ✓ Mount the air hose reel in a suitable work area. Do not position the hose in direct sunlight, or in areas of extreme heat or cold. Ensure that there is adequate lighting.
- ❑ **WARNING!** Ensure that the maximum air pressure is not exceeded.
- ✓ Keep extended air hose away from heat, oil and sharp edges. Check hose for wear before each use and ensure that all connections are secure.
- ✓ Unreel only sufficient hose for the task. DO NOT have excess hose coiled on the floor.
- ❑ **WARNING!** Always wear approved eye or face protection when operating with compressed air.
- ✓ Maintain correct balance and footing. Ensure the floor is not slippery and wear non-slip shoes.
- ✓ Remove ill fitting clothing. Remove ties, watches, rings and other loose jewellery and contain and/or tie back long hair.
- ✓ Keep children and unauthorised persons away from the work area.
- x **DO NOT** operate the air hose reel if any parts are damaged or missing as this may cause failure and/or personal injury.
- x **DO NOT** use the air hose reel for any purpose other than that for which it is designed.
- x **DO NOT** yank the hose from the air supply.
- x **DO NOT** operate the air hose reel when you are tired or under the influence of alcohol, drugs or intoxicating medication.
- x **DO NOT** direct air from the air hose at yourself or others.
- ✓ When not in use ensure that the air supply is turned off and tools disconnected. Disconnect from the air supply and retract the hose onto the reel.
- ❑ **WARNING! DO NOT** dismantle the hose reel, or attempt to remove any nuts or bolts, except as described in these Instructions. To do so may result in damage to the reel and/or personal injury and will invalidate the warranty. Internal maintenance must only be undertaken by an authorised service agent.

### 2. INTRODUCTION & SPECIFICATIONS

#### 2.1. Introduction

The SA84 and SA85 are of heavy duty steel construction with a corrosion resistant powder coat finish. The multiposition guide arms allow the units to be tailored for wall, floor or ceiling mounting.

#### 2.2. Specifications

	SA84	SA85
Hose Length . . . . .	8mtr	15mtr
Hose Size (ID/OD) . . . . .	10/17mm	10/17mm
Max. Pressure . . . . .	300psi (20.7 bar)	300psi (20.7 bar)
Hose Type . . . . .	Rubber	Rubber
Inlet/Outlet . . . . .	3/8"/1/4"BSP	3/8"/1/4"BSP



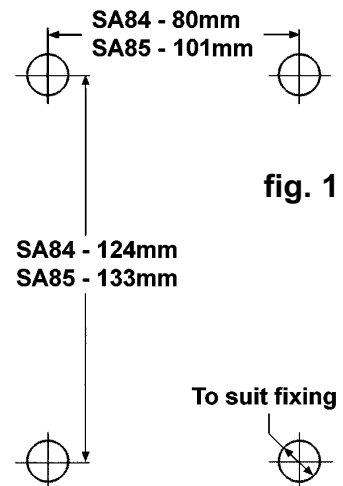
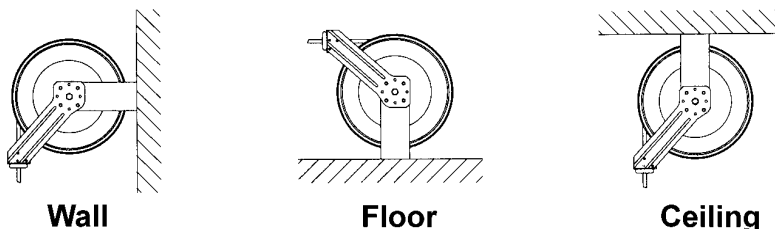
### 3. MOUNTING THE HOSE REEL

❑ **WARNING!** Ensure that the hose is disconnected from the air supply. Do not position the reel in direct sunlight, in areas of extreme heat or cold or where it will be a hazard.

#### 3. Mounting

- 3.1. Ensure that the wall, floor, ceiling or other structure to which the air hose reel is to be fixed is of sound construction and will hold the working strain of the hose when in use.
- 3.2. Screw or bolt the reel to the mounting surface (see fig. 1 for mounting hole dimensions).
- 3.3. Adjust the guide arm (7) to suit the installation. Remove the four clamping nuts (42), washers (41) and bolts (40), reposition the arm and then replace the bolts, washers and screws. Typical examples are shown in fig. 2.
- 3.4. Fit the inlet hose (provided) to the inlet fitting (24) using thread sealer or PTFE tape. The free end of the inlet hose should be connected to the air supply.
- 3.5. Before use, check that all fixings are safe and secure, and that the hose extends and retracts with ease.

fig. 2



## 4. OPERATION

- 4.1. Pull the hose outward. An intermittent clicking noise will be noticed as the hose extends. If you stop pulling the hose whilst the clicking noise can be heard it will remain locked at that length.
- 4.2. To extend the hose further, pull and again stop whilst the clicking noise can be heard to lock the hose.
- 4.3. To unlock the hose and allow it to automatically rewind, extend the hose a little further and release during a quiet stage between the periods of clicking. **DO NOT** allow the reel to rewind in an uncontrolled manner, always feed the hose to the reel.
- 4.4. If it is necessary to alter the reel tension proceed as follows.
  - **WARNING!** Ensure that the air supply is disconnected.
  - 4.4.1. Pull approximately 2mtr of hose from the drum and allow the drum to lock.
  - 4.4.2. Remove the hose bumper blocks (55) and draw the 2mtr of hose back through the hose guide.
  - 4.4.3. Wrap the hose one turn around the drum to increase the tension or unwrap one turn to decrease the tension.
  - 4.4.4. Feed the end of the hose back through the hose guide and refit the bumper blocks.
  - 4.4.5. Check the tension and adjust further, as above, if necessary.

## 5. MAINTENANCE & STORAGE

□ **WARNING!** Before attempting maintenance or inspection, vent any pressure remaining in the hose.

To ensure reliable operation, clean the hose and casing regularly. **DO NOT** spray or wet the product, but clean with a damp cloth. **DO NOT** use solvents or detergents, as these may cause permanent damage.

The hose reel does not require special maintenance as it is lubricated for life. If the product needs attention, consult your nearest authorised service agent.

**WARNING: DO NOT attempt to loosen, or remove, any casing nuts or bolts yourself, other than to reposition the hose guide (see 3.3.).**

Replacement of the supply hose should be carried out by skilled personnel only, consult your nearest authorised service agent.

Should you wish to store the air hose reel, ensure that it is clean and dry. Place in a dark, safe, dry, childproof location, where the temperature will remain reasonably stable. **DO NOT** store in a nylon, or plastic, bag as this will encourage condensation.



**NOTE:** It is our policy to continually improve products and as such we reserve the right to alter data, specifications and component parts without prior notice.

**IMPORTANT:** No liability is accepted for incorrect use of this equipment.

**WARRANTY:** Guarantee is 12 months from purchase date, proof of which will be required for any claim.

**INFORMATION:** For a copy of our latest catalogue and promotions call us on 01284 757525 and leave your full name and address, including postcode.

**SEALEY** **POWER PRODUCTS**

Sole UK Distributor,  
Sealey Group,  
Bury St. Edmunds, Suffolk.



01284 757500



01284 703534

E-mail: [sales@sealey.co.uk](mailto:sales@sealey.co.uk)

Web: [www.sealey.co.uk](http://www.sealey.co.uk)