



PARTS LIST FOR:  
**AIR HOSE REELS**

Models: **SA810, SA812 & SA813**

Thank you for purchasing a Sealey product. Manufactured to a high standard this product will, if used according to these instructions and properly maintained, give you years of trouble free performance.



**IMPORTANT: PLEASE READ THESE INSTRUCTIONS CAREFULLY. NOTE THE SAFE OPERATIONAL REQUIREMENTS, WARNINGS AND CAUTIONS. USE THE PRODUCT CORRECTLY AND WITH CARE FOR THE PURPOSE FOR WHICH IT IS INTENDED. FAILURE TO DO SO MAY CAUSE DAMAGE AND/OR PERSONAL INJURY AND WILL INVALIDATE THE WARRANTY. PLEASE KEEP INSTRUCTIONS SAFE FOR FUTURE USE.**

## 1. SAFETY INSTRUCTIONS

- ✓ Familiarise yourself with the application, limitations and hazards of the air hose reel.
- WARNING!** Disconnect the air hose reel from the air supply before changing accessories, servicing or performing any maintenance.
- ✓ Maintain the air hose reel in good condition (use an authorised service agent).
- ✓ Replace or repair damaged parts. *Use recommended parts only. Unauthorised parts may be dangerous and will invalidate the warranty.*
- ✓ Locate and fix the air hose reel in a suitable work area. Do not position the hose in direct sun light, or in areas of extreme heat or cold. Ensure that there is adequate lighting.
- WARNING!** Ensure that the maximum air pressure is not exceeded.
- ✓ Keep extended air hose away from heat, oil and sharp edges. Check hose for wear before each use, and ensure that all connections are secure.
- x **DO NOT** allow the unwound air hose to become a hazard.
- ✓ Keep the hose off wet, damp or oily surfaces.
- WARNING!** Always wear approved eye or face protection when operating the air hose reel.
- ✓ Maintain correct balance and footing. Ensure that the floor is not slippery and wear non-slip shoes.
- ✓ Remove ill fitting clothing. Remove ties, watches, rings and other loose jewellery and contain and/or tie back long hair.
- ✓ Keep children and unauthorised persons away from the work area.
- x **DO NOT** operate the air hose reel if any parts are damaged or missing as this may cause failure and/or personal injury.
- x **DO NOT** exceed the rated capacity of the air hose reel.
- x **DO NOT** use the air hose reel for any purpose other than that for which it is designed.
- x **DO NOT** yank the hose from the air supply.
- x **DO NOT** operate the air hose reel when you are tired or under the influence of alcohol, drugs or intoxicating medication.
- x **DO NOT** direct air from the air hose at yourself or others.
- ✓ When not in use ensure that the air supply is turned off and tools disconnected. Disconnect from the air supply and retract the hose into case.
- WARNING! DO NOT** dismantle the hose reel casing or attempt to remove the screws on the sides or the lid. To do so may result in damage to the appliance and/or personal injury and will invalidate the warranty.  
*Internal maintenance, which will require the opening of the casing, must only be undertaken by an authorised service agent.*

## 2. INTRODUCTION & SPECIFICATIONS

These air hose reels have a hard wearing composite casing with retracting air hose reel and ratchet and free-running operation, enabling easy access to locations within the extended air hose range. The reels come complete with an attachment bracket for wall, floor or ceiling mounting.

	SA810	SA812	SA813
Hose Length	.6mtr	10mtr	.8mtr
Hose BoreØ	.6mm	.6mm	.8mm
Maximum Pressure	.10 bar/150psi	.10 bar/150psi	.10 bar/150psi
Hose Type	Polyurethane	Polyurethane	Polyurethane
Inlet - Outlet	1/4" BSP	1/4" BSP	1/4" BSP

## 3. INSTALLATION

- ❑ **WARNING! Ensure that the hose is disconnected from the air supply during installation. Do not position the hose in direct sunlight or in areas of extreme heat or cold.**
- Ensure that the structure to which the air hose is to be fixed is of sound construction and that the securing point will hold the working strain of the hose when in use.
  - Position the supporting bracket on the surface and mark out the positions of the mounting holes, having checked that the main body will turn sufficiently to allow the hose to be extended without rubbing on either side of the air hose housing.
  - Drill and plug the structure and screw mount the support bracket.
  - Before use, check that all fixings are safe and secure, and that the hose extends and retracts with ease.
  - The hose reel is supplied set for ratchet operation. To disengage the ratchet, remove the side panel covering the air inlet and unhook the spring. Refit the side panel.
- Note:** Keep the spring safe so that ratchet operation can be restored if required.

## 4. MAINTENANCE & STORAGE

- 4.1. Maintenance**
- ❑ **WARNING! Before attempting maintenance or inspection vent any pressure remaining in the hose.**
- To ensure reliable operation, clean the hose and casing regularly. **DO NOT** spray or wet the unit, but clean with a cloth and warm water. **DO NOT** use solvents or detergents, as these may cause permanent damage.
  - The hose reel is lubricated for life and does not require special maintenance. If the casing needs to be opened, consult your nearest authorised service agent.
- ❑ **WARNING! DO NOT attempt to loosen, or remove, any casing screws yourself.**
- Replacement of the supply hose should be carried out by skilled personnel only, consult your nearest authorised service agent.
- 4.2. Storage**
- Ensure that the hose reel is clean and dry. Place it in a dark, dry, childproof location, where the temperature will remain reasonably stable. **DO NOT** store in a nylon, or plastic, bag as this will encourage condensation.

**NOTE:** It is our policy to continually improve products and as such we reserve the right to alter data, specifications and component parts without prior notice.

**IMPORTANT:** No liability is accepted for incorrect use of this equipment.

**WARRANTY:** Guarantee is 12 months from purchase date, proof of which will be required for any claim.

**INFORMATION:** For a copy of our latest catalogue and promotions call us on 01284 757525 and leave your full name and address, including postcode.

**SEALEY POWER PRODUCTS** Sole UK Distributor,  
Sealey Group, Bury St. Edmunds, Suffolk.

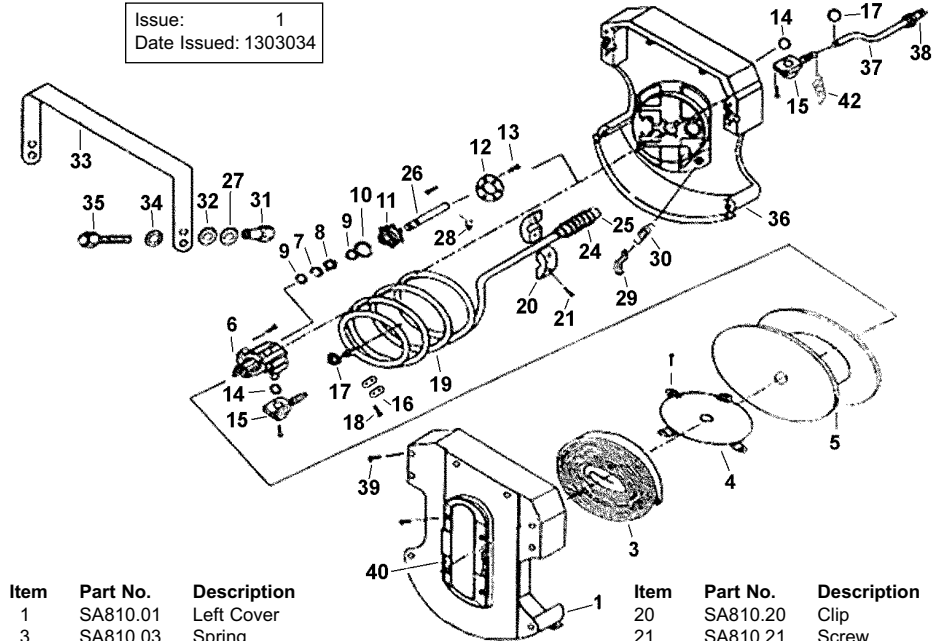
01284 757500 01284 703534 sales@sealey.co.uk www.sealey.co.uk

**SEALEY POWER PRODUCTS**

PARTS LIST FOR:  
**AIR HOSE REELS**

Models: **SA810, SA812 & SA813**

Issue: 1  
Date Issued: 1303034



Item	Part No.	Description	Item	Part No.	Description
1	SA810.01	Left Cover	20	SA810.20	Clip
3	SA810.03	Spring	21	SA810.21	Screw
4	SA810.04	Spring Cover	24	SA810.24	Rubber Sleeve
5	SA810.05	Seat	25	SA810.25	Connector
6	SA810.06	Axle	26	SA810.26	Axle
7	SA810.07	Spacer	27	SA810.27	Spacer
8	SA810.08	Collar	28	SA810.28	Collar
9	SA810.09	O-ring	29	SA810.29	Pawl
10	SA810.10	O-ring	30	SA810.30	Spring
11	SA810.11	Cover	31	SA810.31	Screw
12	SA810.12	Spacer	32	SA810.32	Spacer
13	SA810.13	Screw	33	SA810.33	Shelf
14	SA810.14	O-ring	34	SA810.34	Spacer
15	SA810.15	Connector	35	SA810.35	Screw
16	SA810.16	Clip	36	SA810.36	Right Cover
17	SA810.17	Nut	37	SA810.37	Inlet Pipe
18	SA810.18	Screw	38	SA810.38	Connector
19	SA810.19	Air Pipe - SA810	39	SA810.39	Screw
19	SA812.19	Air Pipe - SA812	40	SA810.40	Cover
19	SA813.19	Air Pipe - SA813	42	SA810.42	Spring

**All items, except item 19, are common to all three models.**

**SEALEY POWER PRODUCTS** Sole UK Distributor,  
Sealey Group, Bury St. Edmunds, Suffolk.

01284 757500 01284 703534 sales@sealey.co.uk www.sealey.co.uk