



INSTRUCTIONS FOR:

# AIR OPERATED NAIL/STAPLE GUN

MODEL No: **SA792**

Thank you for purchasing a Sealey Product. Manufactured to a high standard this product will, if used according to these instructions and properly maintained, give you years of trouble free performance.



**IMPORTANT:** PLEASE READ THESE INSTRUCTIONS CAREFULLY. NOTE THE SAFE OPERATIONAL REQUIREMENTS, WARNINGS AND CAUTIONS. USE THIS PRODUCT CORRECTLY AND WITH CARE FOR THE PURPOSE FOR WHICH IT IS INTENDED. FAILURE TO DO SO MAY CAUSE DAMAGE AND/OR PERSONAL INJURY AND WILL INVALIDATE THE WARRANTY. PLEASE KEEP INSTRUCTIONS SAFE FOR FUTURE USE.

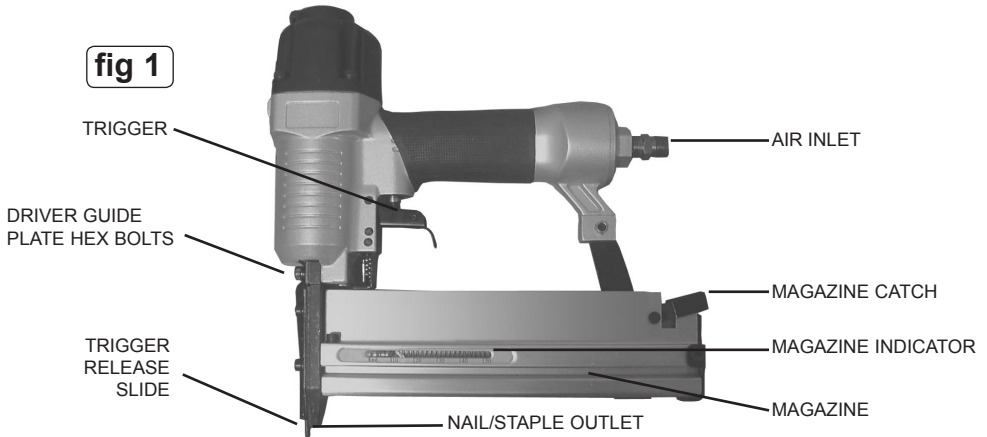
## 1. SAFETY INSTRUCTIONS

- WARNING!** Ensure Health & Safety, local authority, and general workshop practice regulations are adhered to when using this equipment.
- WARNING!** Disconnect from air supply before refilling with nails/staples, servicing or performing maintenance.
- ✓ Maintain the nail/staple gun in good condition (use an authorised service agent).
- ✓ Replace or repair damaged parts. Use genuine parts only. Unauthorised parts may be dangerous and will invalidate the warranty.
- ✓ Use in suitable clean and tidy work area, free from unrelated materials. Ensure there is adequate lighting.
- WARNING!** Always wear approved eye and/or face and hand protection when operating the nail/staple gun.
- ✓ Remove ill fitting clothing. Remove ties, loose jewellery, and contain and/or tie back long hair.
- ✓ Keep hands and body clear of working parts.
- ✓ Maintain correct balance and footing. Ensure the floor is not slippery and wear non-slip shoes.
- ✓ Keep children and unauthorised persons away from the working area.
- ✓ Check moving parts alignment on a regular basis.
- ✓ Ensure workpiece is secure before operating the nail/staple gun. Never hold a workpiece by hand.
- ✓ When the nail/staple gun is put down during pauses in operation ensure that the trigger catch slide is not depressed by the weight of the nail/staple gun or by placing the nail/staple gun in a restricted position that could put pressure on the trigger catch slide.
- ✓ During extended breaks in operation disconnect the nail/staple gun from the air supply.
- WARNING!** Ensure correct air pressure is maintained and not exceeded. Recommended pressure 60-100psi.
- ✓ Keep air hose away from heat, oil and sharp edges. Check air hose for wear before each use and ensure that all connections are secure.
- ✓ Prolonged exposure to vibration from this nail/staple gun may pose a health risk. It is the owner's responsibility to correctly assess the potential hazard and issue guidelines for safe periods of use and offer suitable protective equipment.
- x DO NOT use any power source except an air compressor.
- x DO NOT operate the nail/staple gun near any flammable substance or on any container that once contained a flammable substance.
- x DO NOT use the nail/staple gun for a task it is not designed to perform.
- x DO NOT operate nail/staple gun if any parts are damaged or missing as this may cause failure and/or personal injury.
- x DO NOT carry the nail/staple gun by the hose, or yank the hose from the air supply.
- x DO NOT place the nail/staple gun close to your face and do not point at other persons or animals.
- x DO NOT operate nail/staple gun when you are tired or under the influence of alcohol, drugs or intoxicating medication.
- x DO NOT carry the nail/staple gun with your finger on the trigger.
- x DO NOT direct air from the air hose at yourself or others.
- ✓ When not in use, disconnect from air supply and store in a safe, dry, childproof location.

## 2. INTRODUCTION & SPECIFICATION

Professional dual air nailer/stapler with lightweight aluminium body and rubber grip handle. Safety trigger device to prevent accidental firing of nails and staples. Supplied in blow-moulded case with oil and starter pack of nails and staples.

**Model No:** ..... **SA792**  
**Capacity (staples):** ..... (Crown 5.7mm 18Ga) 10-40mm  
**Capacity (nails):** ..... (18Ga) 10-50mm  
**Operating Pressure:** ..... 60-100psi  
**Air Inlet:** ..... 1/4" BSP  
**Weight:** ..... 2.5kg



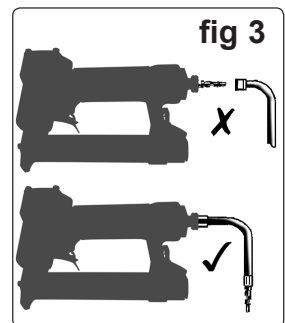
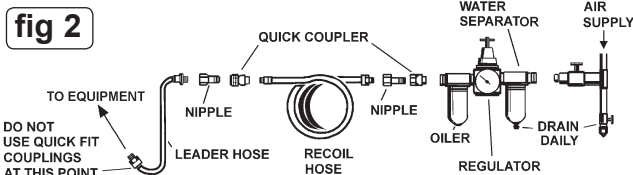
## 3. PREPARING GUN FOR USE

### 3.1. Air Supply

- 3.1.1. Before connecting to an air supply ensure that the trigger release slide is not depressed (see fig.1).
- 3.1.2. You will require an air pressure between 60-100psi.
- 3.1.3.  **WARNING!** Ensure the air supply is clean and does not exceed 100psi while operating the nail/staple gun. Too high an air pressure and unclean air will shorten the product life due to excessive wear, and may be dangerous causing damage and/or personal injury.
- 3.1.4. Drain the air tank daily. Water in the air line will damage the nail/staple gun **and will invalidate your warranty.**
- 3.1.5. Clean air inlet filter weekly. Recommended hook-up is shown in fig 2.
- 3.1.6. Line pressure should be increased to compensate for unusually long air hoses (over 8 metres). The minimum hose diameter should be 1/4" I.D. and fittings must have the same bore.
- 3.1.7. Keep hose away from heat, oil and sharp edges. Check hoses for wear, and make certain that all connections are secure.

### 3.2. Couplings

Vibration may cause failure if a quick change coupling is connected directly to the air nail/staple gun. To overcome this, connect a leader hose to the nail/staple gun. A quick change coupling may then be used to connect the leader hose to the air line recoil hose. See fig 2 & 3.



## 4. OPERATING INSTRUCTIONS

- ❑ **WARNING! Ensure you read, understand and apply safety instructions before use.**
- 4.1. Load the magazine before connecting the airline. To open the magazine, hold the nail/staple gun vertically with one hand, then with the thumb of your other hand, press the magazine catch upwards and slide the magazine backwards and open with the forefinger of the same hand. Place a "stick" of nails/staples into the open magazine chamber, ensuring that all have their points resting on the bottom of the chamber.
- 4.2. Slide the magazine cover shut until it clicks into place behind the catch.
- 4.3. Before connecting to an air supply ensure that the trigger release slide is not depressed. Connect the air line to the nail/staple gun as described in Section 3.
- 4.4. The operating trigger is normally locked and cannot be used until the trigger release slide is depressed. This happens automatically as you position the nail/staple gun.
- 4.5. The trigger release slide can be seen protruding downwards just in front of the nail/staple outlet. (see fig.1) Place the tip of the slide onto the material to be nailed and press downwards to bring the nail outlet into contact with the surface. As the slide retracts the trigger will become free.
- 4.6. Depress the trigger to fire one nail. To fire another nail, release the trigger, reposition the nail/staple gun at the next required nailing point and depress the trigger again. Repeat as necessary.
- 4.7. If you need to put the nail/staple gun down during the course of working ensure that the trigger slide catch is not depressed against any object.
- 4.8. When the work is complete or when you have paused for any length of time, disconnect the nail/staple gun from the air line.
- ❑ **WARNING! Should a blockage occur, disconnect nail/staple gun from the air supply immediately.**
- 4.9. Access the blockage by opening the magazine.
- 4.10. Remove the nail/staple and any foreign matter found blocking the mechanism.
- 4.11. Close the magazine.
- 4.12. Ensure that all parts of the nail/staple gun are secure and correctly positioned, then reconnect the air supply.

## 5. MAINTENANCE

- ❑ **WARNING! Disconnect nail/staple gun from air supply before refilling with nails/staples, servicing or performing maintenance. Replace or repair damaged parts.**  
*Use genuine parts only. Unauthorised parts may be dangerous and will invalidate the warranty.*
- 5.1. If an air system oiler is not available, lubricate the air nail/staple gun daily with a few drops of the air tool oil supplied, dripped into the air inlet before use. To re-order air tool oil use Sealey part Nos. ATO500S or ATO1000S.
- 5.2. Clean the nail/staple gun after use.
- 5.3. Loss of power or erratic action may be due to the following:
  - a) Excessive drain on the air line. Moisture or restriction in the air pipe. Incorrect size or type of hose connectors. To remedy check the air supply and follow instructions in chapter 3.
  - b) Grit or gum deposits in the nail/staple gun may also reduce performance. Flush the nail/staple gun out with gum solvent oil or an equal mixture of SAE No 10 oil and kerosene. Allow to dry before use. If you continue to experience problems, contact your local Sealey service agent.
- 5.4. On a weekly basis check the security of the hex bolts holding the driver guide plate in place and tighten if necessary. (see fig.1)
- 5.6. For a full service contact your local Sealey Service Agent.
- 5.5. When not in use, disconnect from air supply, clean nail/staple gun and store in a safe, dry, childproof location.

**NOTE:** It is our policy to continually improve products and as such we reserve the right to alter data, specifications and component parts without prior notice.

**IMPORTANT:** No liability is accepted for incorrect use of this product.

**WARRANTY:** Guarantee is 12 months from purchase date, proof of which will be required for any claim.

**INFORMATION:** For a copy of our latest catalogue and promotions call us on 01284 757525 and leave your full name and address, including postcode.



Sole UK Distributor, Sealey Group,  
Kempson Way, Suffolk Business Park,  
Bury St. Edmunds, Suffolk,  
IP32 7AR

01284 757500



[www.sealey.co.uk](http://www.sealey.co.uk)



01284 703534



[sales@sealey.co.uk](mailto:sales@sealey.co.uk)