



# 13-32MM AIR STAPLE GUN

MODEL NO: SA789.V2

Thank you for purchasing a Sealey product. Manufactured to a high standard, this product will, if used according to these instructions, and properly maintained, give you years of trouble free performance.

**IMPORTANT:** PLEASE READ THESE INSTRUCTIONS CAREFULLY. NOTE THE SAFE OPERATIONAL REQUIREMENTS, WARNINGS & CAUTIONS. USE THE PRODUCT CORRECTLY AND WITH CARE FOR THE PURPOSE FOR WHICH IT IS INTENDED. FAILURE TO DO SO MAY CAUSE DAMAGE AND/OR PERSONAL INJURY AND WILL INVALIDATE THE WARRANTY. KEEP THESE INSTRUCTIONS SAFE FOR FUTURE USE.



Refer to instructions



Wear eye protection



Wear protective gloves



Wear ear protection



Wear a mask



## 1. SAFETY

- WARNING! DO NOT rest your finger on the trigger when picking up the tool, moving between operating areas and positions or walking, as resting finger on trigger can lead to inadvertent operation. For tools with selective actuation, always check the tool before use to ascertain the correct mode is selected.**
- WARNING! This tool has either selective actuation for contact actuation or continuous contact actuation by actuation mode selectors or is a contact actuation or continuous actuation contact tool and has been marked with the symbol above (\*). Its intended uses are for production applications such as pallets, furniture, manufactured housing, upholstery and sheathing. If using this tool in selective actuation mode, always ensure it is in the correct actuation setting.**
- \* **DO NOT use this tool in contact actuation mode for applications such as closing boxes or crates and fitting transportation safety systems on trailers and lorries.**
- ✓ **Be careful when changing from one driving location to another.**
- WARNING! DO NOT use the nail gun if damaged, has missing parts or is thought to be faulty. Contact your Service Agent.**
- WARNING! Never engage in horseplay with the tool.**
- WARNING! Always wear approved eye, face and hand protection when operating the nail gun. Wear a full face shield if stapling produces metal filings or wood chips.**
- WARNING! Check correct air pressure is maintained and not exceeded. We recommend 60 to 100psi.**
- WARNING! Keep hands, face, feet and all parts of the body away from the firing head at all times.**
- \* **DO NOT use the nail gun for a task it is not designed to perform.**
- \* **DO NOT operate the nail gun near flammable substances or flammable containers.**
- \* **DO NOT use the nail gun unless you have been instructed in its use by a qualified person.**
- \* **DO NOT carry the nail gun by the air hose, or pull the hose from the air supply.**
- \* **DO NOT operate the nail gun if you are tired or under the influence of alcohol, drugs or intoxicating medication.**
- \* **DO NOT carry the nail gun with your hand on the power trigger in order to avoid unintentional firing.**
- \* **DO NOT direct the nail gun or the air from the air hose at yourself or others.**
- \* **DO NOT load bent or damaged staples into the magazine.**
- \* **DO NOT overreach. Keep proper footing and balance at all times. Ensure the floor is not slippery and wear non-slip shoes.**
- \* **DO NOT drive staples into thin boards or near the corners of the workpiece.**
- ▲ **DANGER! When putting the nail gun down, ensure that the trigger safety slide is not fouled, risking accidental firing.**
- ✓ Avoid unintentional firing. Keep fingers away from the trigger when not driving staples. **Disconnect from the air supply** especially when loading staples, when carrying the tool, handing the tool to another person, leaving the work area, making adjustments to the tool, clearing a jam or whenever it is left unattended.
- ✓ Check the safety mechanism before use. Never use the stapler unless the safety is operating properly, otherwise the stapler could drive a staple unexpectedly.
- ✓ Place the tool properly on the workpiece. **DO NOT** drive staples one on top of another or with the tool at too steep an angle. The staples could ricochet.
- ✓ Keep the work area clean and well lit.
- ✓ Keep people away from the work area.
- ✓ Maintain the nail gun in good condition and replace any damaged or worn parts. **Use genuine parts only. Unauthorised parts may be dangerous and will invalidate the warranty.**
- ✓ Keep the air hose away from heat, oil and sharp edges. Check the air hose for wear before each use and ensure that all connections are secure.
- ✓ Follow all workshop safety rules, regulations, and conditions when using the nail gun.
- ✓ Keep children and non essential persons away from the working area.
- ✓ When not in use, disconnect from the air supply, remove the staples from the magazine and store cased in a safe, dry, childproof location.
- WARNING! The warnings, cautions and instructions in this manual cannot cover all possible conditions and situations that may occur. It must be understood by the operator that common sense and caution are factors which cannot be built into this product, but must be applied by the operator.**

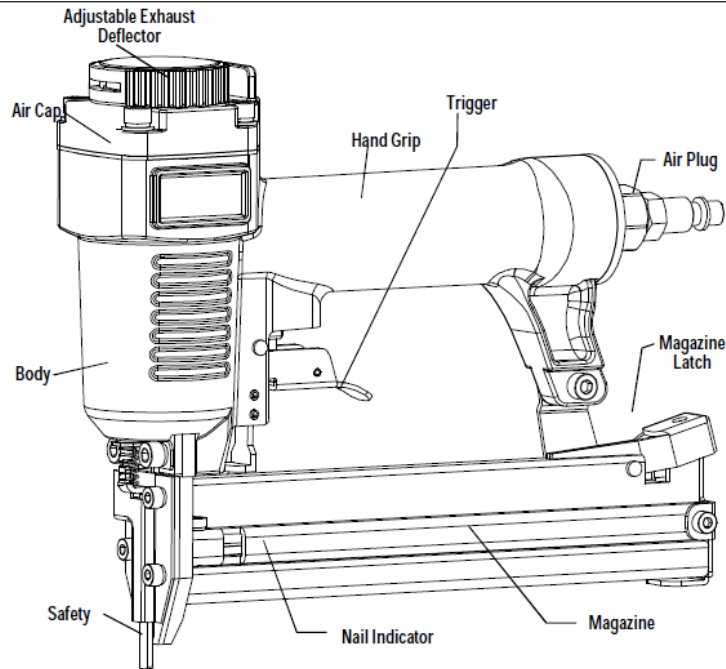
## 2. INTRODUCTION

Professional air stapler with lightweight aluminium body and rubber grip handle. Safety trigger device to prevent accidental firing of staples. Supplied in storage case with oiler and starter pack of staples.

### 3. SPECIFICATION

Model no .....	SA789.V2
Inlet size.....	1/4" BSP
Max. pressure .....	100psi
Operating pressure .....	60-100psi
Noise power/pressure .....	90/77dB(A)
Staple capacity.....	13-32mm 18SWG
Vibration/uncertainty .....	3.05/1.52m/s <sup>2</sup>

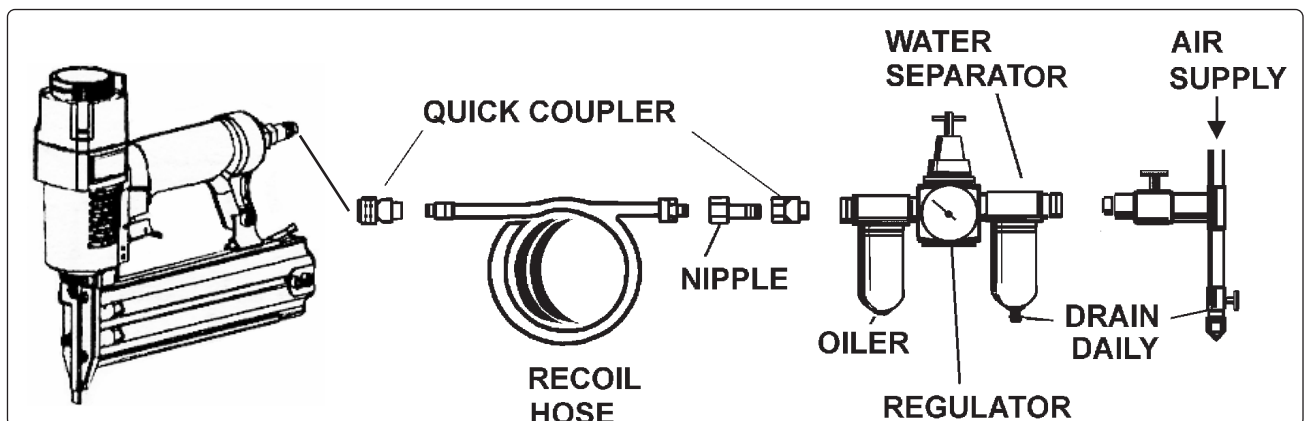
fig.1



### 4. PREPARATION

- ❑ **WARNING!** Ensure the air supply is clean, dry and between 60 - 100psi while operating the nail gun. Too high an air pressure and/or unclean air will shorten the product life due to excessive wear, and may be dangerous causing damage and/or personal injury.

- 4.1. **AIR SUPPLY** (From a compressor not a gas bottle)
- 4.2. Ensure the nail gun trigger release slide is not depressed when connecting to the air supply.
- 4.3. You will require an air pressure of between 60 - 100psi, and an air flow according to specification.
- 4.4. Drain your compressor air tank of water daily. Water in the air line will damage the nail gun.
- 4.5. Clean the compressor air inlet filter weekly. Recommended hook-up procedure is shown in fig.2.
- 4.6. Line pressure should be increased to compensate for unusually long air hoses (over 8 metres). The minimum hose diameter should be 1/4" I.D. and fittings must have the same inside dimensions.
- 4.7. Keep the hose away from heat, oil and sharp edges. Check hose for wear, and make certain that all connections are secure.



### 5. OPERATION

- ❑ **WARNING!** Never use non relieving couplers and/or female quick disconnect couplings on the tool. Non relieving couplings and female couplings will trap high pressure air in the tool when the air line is disconnected. This will leave the tool charged with enough air after it has been disconnected to drive a staple. Only MALE pneumatic type air connectors should be fitted to the tool, so that high pressure air in the tool is vented to atmosphere as soon as the air line is disconnected.

#### 5.1. ADJUSTING AIR PRESSURE

- 5.1.1. Set the regulator at the air delivery system to a PSI that falls within the tool's operating range of 60-100PSI.
- 5.1.2. The correct pressure is the lowest pressure that will do the job. This depends on the length of the nails and the hardness of the wood.

## 5.2. CONNECTING AIR SUPPLY

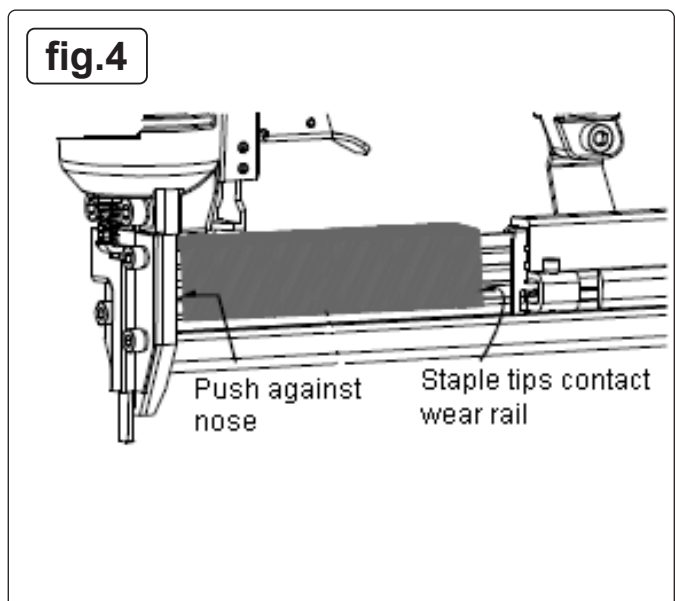
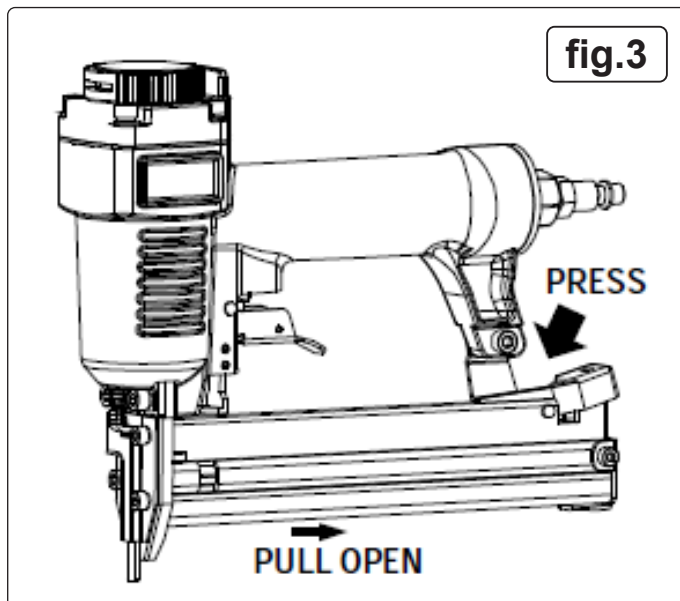
- 5.2.1. Snap the air hose onto the quick connector. Check for air leakage. If leakage is noted, stop using the tool immediately and seek repair by qualified personnel.
- 5.2.2. Be sure the air pressure gauge is operating properly and check it at least twice a day.

## 5.3. TOOL TESTING

- WARNING!** Operators and others in the work area must wear safety glasses.
  - WARNING!** Never use the tool if the safety is not working properly.
- 5.3.1. Before actually beginning the nailing work, test the tool by using the check list below. Conduct the test in the following order. If abnormal operation occurs, stop using the tool get it repaired by qualified repair personnel immediately.
- WARNING!** Disconnect air hose from tool. Remove all nails from tool.
    - ALL SCREWS MUST BE TIGHTENED. If any screws are loose, tighten them.
    - THE SAFETY AND TRIGGER MUST MOVE SMOOTHLY.
- 5.3.2. Adjust the air pressure to 60PSI, connect the air hose. **DO NOT** load any nails in the tool.
- THE TOOL MUST NOT LEAK AIR.
- 5.3.3. Remove finger from the trigger and press the safety against the workpiece.
- THE TOOL MUST NOT OPERATE.
- 5.3.4. Separate the safety from the wood. Next, point the tool downward, pull the trigger and then wait in that position for 5 seconds or longer.
- THE TOOL MUST NOT OPERATE.
- 5.3.5. Without touching the trigger, depress the safety against the workpiece. Pull the trigger.
- THE TOOL MUST OPERATE
- 5.3.6. Hold the trigger back while separating the safety from the wood.  
The tool will remain in operated status(the driver blade will remain at the bottom).
- 5.3.7. Remove the finger from the trigger.  
Tool operation will end (the driver blade will return to the top).
- 5.3.8. If no abnormal operation is observed, you may load staples in the tool. Drive staples into the workpiece of the same type to be used in the actual application.
- THE TOOL MUST OPERATE PROPERLY

## 5.4. STAPLE LOADING

- WARNING!** Disconnect air hose from tool.
  - WARNING!** Keep the tool pointed away from yourself and others when loading fasteners. Failure to do so could result in possible serious personal injury.  
**Never load fasteners with the workpiece contact or trigger activated. Doing so could result in possible serious personal injury.**
  - WARNING!** When loading the tool's magazine, check that the nail tips contact the wear rail and slide smoothly against the surface of the magazine. If the nails are not loaded properly, the tool will misfire and nails can be deflected, causing the tool to react in an unexpected manner, and damage the tool.
- 5.4.1. Disconnect air supply.
- 5.4.2. Press magazine latch and pull magazine to open position, see fig.3.
- 5.4.3. See tool specifications to determine appropriate staple sizes. Insert appropriate staple strips, with the staple tips contacting the wear rail, see fig.6.
- 5.4.4. Push the staple strip against the nose.
- 5.4.5. Push magazine fully closed. Magazine latch will maintain fully closed position.



## 5.5. REMOVING THE STAPLES

- WARNING!** Disconnect air hose from tool.
- 5.5.1. Press magazine latch and pull magazine to open position, see fig.4. Grasp the head of the staple strip and remove it from magazine.

## 5.6. STAPLING

- 5.6.1. This tool is equipped with a safety and does not operate unless the safety is depressed. The method of operation with this tool is a contact actuation mechanism.
- WARNING!** To avoid double firing due to recoil:
    - \* **DO NOT** press the tool against the wood with excessive force.
    - Separate the tool from the wood as it recoils after stapling.**

- 5.6.2. Pull the trigger with the tool off the workpiece.
- 5.6.3. Depress the safety against the workpiece to drive a staple.
- 5.6.4. Move the tool along the workpiece with a bouncing motion. Each depression of the safety will drive a staple. As soon as the required number of staples has been driven, remove finger from the trigger.

**Note:** Always handle staples and their packaging carefully. If staples are dropped they may get damaged which will cause misfeeds and jamming.

**5.7. AFTER STAPLING**

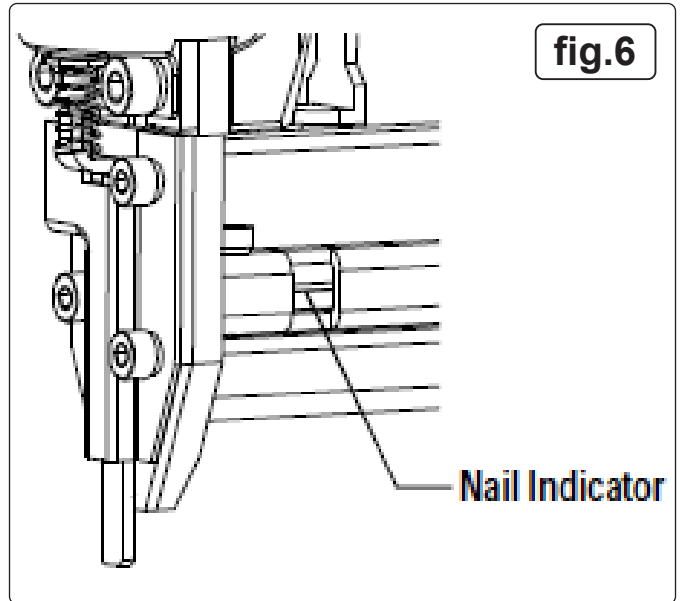
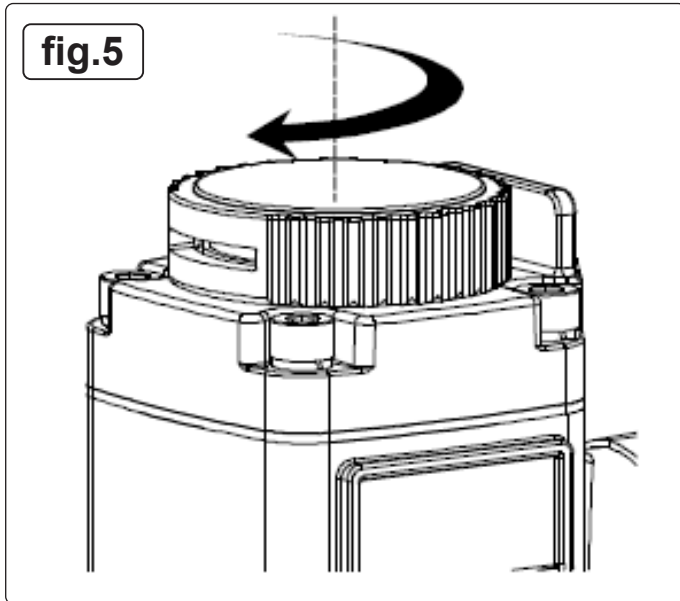
- ☐ **WARNING!** Disconnect air hose from tool.
- 5.7.1. Remove all staples from the tool.
- 5.7.2. Put 5-10 drops of pneumatic tool lubricant into the air plug of the tool.

**5.8. COLD WEATHER OPERATION**

- ☐ **WARNING! DO NOT** use a frozen tool. Allow to thaw before using. Moisture in the frozen tool may impede internal components resulting in the risk of injury and/or tool damage.
- 5.8.1. When using the tool in cold conditions the tool will cycle slower than usual whilst driving the first staples. The cycle rate will increase as the tool warms up. Keep the tool warm to prevent reduced cycle rate.

**5.9. ADJUSTING THE EXHAUST**

- 5.9.1. The direction of the exhaust vent can be changed by turning the top cover, see fig.5.



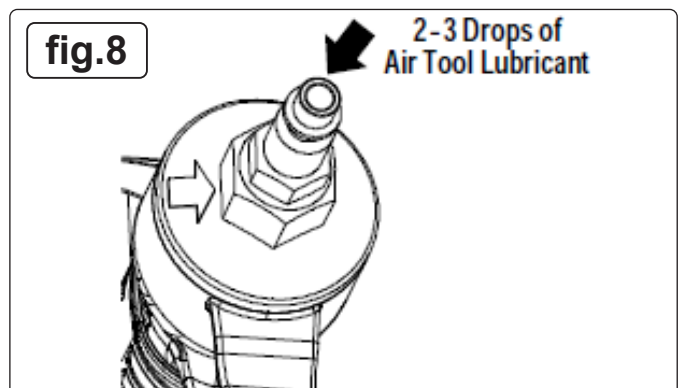
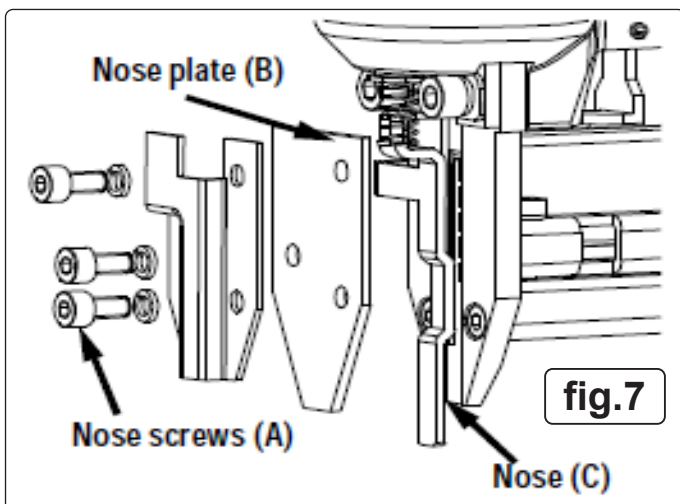
**5.10. NAIL INDICATOR** see fig.6.

- 5.10.1. The red indicator bars are used to show when the tool needs to be reloaded. When the tool is loaded with a staple strip, the red indicator bars will no longer be visible in the indicator window. When staple strip is consumed, the red indicator bars will start to become visible.
- 5.10.2. The tool should be reloaded when the red indicator bar is half way exposed in the indicator window.

**6. MAINTENANCE**

**6.1. JAM CLEARING** see fig.7

- ☐ **WARNING!** Disconnect air hose.
- 6.1.1. Remove a jammed staple in this order:
- 6.1.2. Remove staples from the tool. Failure to do so will cause the fasteners to eject from the front of the tool.
- 6.1.3. Completely remove the small nose screws (A) and the top nose plate (B) to reveal the jammed staple.
- 6.1.4. Take care NOT to damage the driver plate, whilst using pliers or a screwdriver if required, to clear the jammed staple.
- 6.1.5. Put the nose plate (B) back on the nose (C), fastening it with screws (A).
- 6.1.6. Reconnect the air supply.
- 6.1.7. Reload the staples.



**6.2. LUBRICATION** see fig.8

- WARNING!** Disconnect air hose.
- 6.2.1. Lubricate the air tool daily with a high quality air tool oil (Sealey No. ATO/500 or ATO/1000) either via an oiler in the air supply system or by placing a few drops into the stapler air inlet immediately before use.
- 6.2.2. Under heavy use lubricate twice a day.

**6.3. CLEANING**

- WARNING!** When cleaning a tool be careful not to disassemble any portion of the tool since internal components may be misplaced or safety components may be improperly mounted.
- Certain cleaning agents such as gasoline, carbon tetrachloride, ammonia etc. may damage plastic parts and o-rings.
- WARNING! DO NOT** attempt to clean by inserting pointed objects through openings. Sharp edges may damage internal components and cause a serious hazard.
- 6.3.1. Ventilation openings, the work contact element, and the trigger must be kept clean and free of foreign matter.
- 6.3.2. Periodically clean the tool with compressed air.
- 6.3.3. Clean the magazine. Remove metal or wooden chips which may have accumulated in the magazine. Periodically clean magazine with compressed air.

**6.4. STORAGE**

- WARNING!** Keep out of reach of children and personnel unfamiliar with tool operation. Lock the storage area. Tools are dangerous in the hands of personnel unfamiliar with the tool.
- 6.4.1. When not in use, the tool should be disconnected and stored in the storage case in a warm and dry place.
- 6.4.2. When tool will not be in use for an extended period, apply a thin coat of the lubricant to the steel parts to avoid rust.

**7. TROUBLESHOOTING**

Problems	Possible causes	Solutions
Air leaking from the top of the tool or in the trigger area.	1. Loose screws. 2. Worn or damaged o-rings or seals.	1. Tighten screws. 2. Install overhaul kit.
Air leaking from near the bottom of the tool.	1. Loose screws. 2. Worn or damaged o-rings or seals.	1. Tighten screws. 2. Install overhaul kit.
Tool does nothing or operates sluggishly.	1. Inadequate air supply. 2. Tool is too dry. 3. Exhaust blocked. 4. Worn or damaged o-rings or seals.	1. Make sure the air compressor is set between 60PSI and 100PSI. 2. Add about 2-3 drops of lubrication into the air connector. 3. Clean exhaust channel. 4. Install overhaul kit.
Fasteners are jammed in the tool frequently.	1. Driver channel is worn. 2. Piston is broken or worn. 3. Bent fasteners. 4. Dirty magazine. 5. Loose magazine. 6. Wrong fasteners.	1. Fix the drive channel. 2. Replace the piston. 3. Remove the bent fasteners, replaced with the right fasteners. 4. Clean magazine. 5. Tighten screws. 6. Verify that fasteners are the correct size.

**WARNING! – Risk of Hand Arm Vibration Injury.**

**This tool may cause Hand Arm Vibration Syndrome if its use is not managed adequately.**

This tool is subject to the vibration testing section of the Machinery Directive 2006/42/EC. This tool is to be operated in accordance with these instructions.

**Measured vibration emission value (a): . . . . . 3.05 m/s<sup>2</sup>**  
**Uncertainty value (k): . . . . . 1.525 m/s<sup>2</sup>**

*Please note that the application of the tool to a sole specialist task may produce a different average vibration emission. We recommend that a specific evaluation of the vibration emission is conducted prior to commencing with a specialist task.*

A health and safety assessment by the user (or employer) will need to be carried out to determine the suitable duration of use for each tool.

**NB:** Stated Vibration Emission values are type-test values and are intended to be typical.

Whilst in use, the actual value will vary considerably from and depend on many factors.

Such factors include; the operator, the task and the inserted tool or consumable.

**NB:** ensure that the length of leader hoses is sufficient to allow unrestricted use, as this also helps to reduce vibration.

*The state of maintenance of the tool itself is also an important factor, a poorly maintained tool will also increase the risk of Hand Arm Vibration Syndrome.*

**Health surveillance.**

We recommend a programme of health surveillance to detect early symptoms of vibration injury so that management procedures can be modified accordingly.

**Personal protective equipment.**

We are not aware of any personal protective equipment (PPE) that provides protection against vibration injury that may result from the uncontrolled use of this tool. We recommend a sufficient supply of clothing (including gloves) to enable the operator to remain warm and dry and maintain good blood circulation in fingers etc. Please note that the most effective protection is prevention, please refer to the Correct Use and Maintenance section in these instructions. Guidance relating to the management of hand arm vibration can be found on the HSC website [www.hse.gov.uk](http://www.hse.gov.uk) - Hand-Arm Vibration at Work.



#### ENVIRONMENT PROTECTION

Recycle unwanted materials instead of disposing of them as waste. All tools, accessories and packaging should be sorted, taken to a recycling centre and disposed of in a manner which is compatible with the environment. When the product becomes completely unserviceable and requires disposal, drain any fluids (if applicable) into approved containers and dispose of the product and fluids according to local regulations.

**Note:** It is our policy to continually improve products and as such we reserve the right to alter data, specifications and component parts without prior notice. Please note that other versions of this product are available. If you require documentation for alternative versions, please email or call our technical team on [technical@sealey.co.uk](mailto:technical@sealey.co.uk) or 01284 757505.

**Important:** No Liability is accepted for incorrect use of this product.

**Warranty:** Guarantee is 12 months from purchase date, proof of which is required for any claim.

Sealey Group, Kempson Way, Suffolk Business Park, Bury St Edmunds, Suffolk. IP32 7AR



01284 757500



01284 703534



[sales@sealey.co.uk](mailto:sales@sealey.co.uk)



[www.sealey.co.uk](http://www.sealey.co.uk)