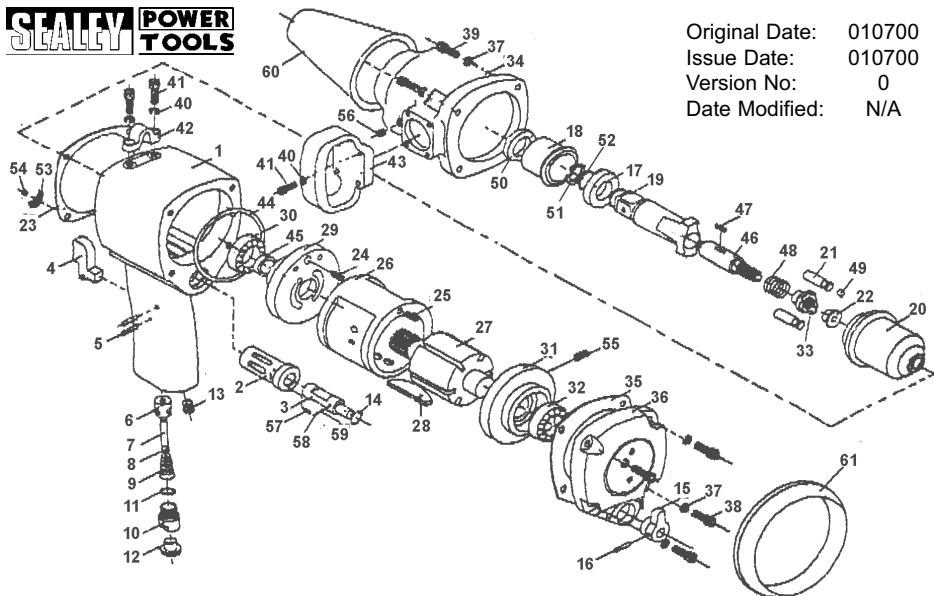


Original Date: 010700  
 Issue Date: 010700  
 Version No: 0  
 Date Modified: N/A



Item	Model & Part No	Model & Part No	Description	Item	Model & Part No	Model & Part No	Description
1	SA682/01	SA683/01	HOUSING	32	SA682/32	SA683/32	BALL BEARING
2	SA682/02	SA683/02	VALVE SLEEVE	33	SA682/33	SA683/33	GASKET
3	SA682/03	SA683/03	REVERSE VALVE	34	SA682/34	SA683/34	CLUTCH HOUSING
4	SA682/04	SA683/04	TRIGGER	35	SA682/35	SA683/35	REAR GASKET
5	SA682/05	SA683/05	PIN	36	SA682/36	SA683/36	REAR COVER
6	SA682/06	SA683/06	VALVE THROTTLE	37	SA682/37	SA683/37	SPRING WASHER
7	SA682/07	SA683/07	PIN THROTTLE	38	SA682/38	SA683/38	SCREW
8	SA682/08	SA683/08	BALL	39	SA682/39	SA683/39	SCREW
9	SA682/09	SA683/09	SPRING	40	SA682/40	SA683/40	SPRING WASHER
10	SA682/10	SA683/10	HOSE ADAPTOR	41	SA682/41	SA683/41	SCREW
11	SA682/11	SA683/11	O-RING	42	SA682/42	SA683/42	HANGER
12	SA682/12	SA683/12	BOOT	43	SA682/43	SA683/43	HANDLE-DEAD
13	SA682/13	SA683/13	SOCKET PLUG	44	SA682/44	SA683/44	O-RING
14	SA682/14	SA683/14	SNAP RING	45	SA682/45	SA683/45	OIL SEAL
15	SA682/15	SA683/15	LEVER REVERSE	46	SA682/46	SA683/46	DRIVE SHAFT
16	SA682/16	SA683/16	PIN	47	SA682/47	SA683/47	PIN-THROTTLE BUSHING
17	SA682/17	SA683/17	WASHER	48	SA682/48	SA683/48	SPRING
18	SA682/18	SA683/18	ANVIL BUSHING	49	SA682/49	SA683/49	STEEL BALL
19	SA682/19	SA683/19	ANVIL	50	SA682/50	SA683/50	OIL SEAL
20	SA682/20	SA683/20	HAMMER CAGE	51	SA682/51	SA683/51	ANVIL COLLAR
21	SA682/21	SA683/21	HAMMER BAR	52	SA682/52	SA683/52	O-RING
22	SA682/22	SA683/22	DRIVE CAM FOUNDATION	53	SA682/53	SA683/53	BUSHING-EXHAUST
23	SA682/23	SA683/23	DRIVE CAM	54	SA682/54	SA683/54	SCREW
24	SA682/24	SA683/24	PIN-CYLINDER	55	SA682/55	SA683/55	SPRING ROLL PIN
25	SA682/25	SA683/25	PIN-CYLINDER	56	SA682/56	SA683/56	SCREW
26	SA682/26	SA683/26	CYLINDER	57	SA682/57	SA683/57	PIN-THROTTLE
27	SA682/27	SA683/27	ROTOR	58	SA682/58	SA683/58	STEEL BALL
28	SA682/28	SA683/28	ROTOR BLADE	59	SA682/59	SA683/59	SPRING
29	SA682/29	SA683/29	FRONT END PLATE	60	SA682/60	SA683/60	PROTECTING RUBBER
30	SA682/30	SA683/30	BALL BEARING	61	SA682/61	SA683/61	REAR PROTECTION RING
31	SA682/31	SA683/31	REAR END PLATE				

**NOTE:** It is our policy to continually improve products and as such we reserve the right to alter data, specifications and component parts without prior notice. **IMPORTANT:** No liability is accepted for incorrect use of this equipment. **WARRANTY:** Guarantee is 12 months from purchase date, proof of which will be required for any claim. **INFORMATION:** Call us for a copy of our latest catalogue and promotions on 01284 757525 and leave your full name and address including your postcode.

INSTRUCTIONS FOR  
**AIR IMPACT WRENCH**  
 Models: **SA682 & SA683**

Thank you for purchasing a Sealey Product. Manufactured to a high standard this product will, if used according to these instructions and properly maintained, give you years of trouble free performance.

**IMPORTANT:** PLEASE READ THESE INSTRUCTIONS CAREFULLY. NOTE THE SAFE OPERATIONAL REQUIREMENTS, WARNINGS AND CAUTIONS. USE THIS PRODUCT CORRECTLY AND WITH CARE FOR THE PURPOSE FOR WHICH IT IS INTENDED. FAILURE TO DO SO MAY CAUSE DAMAGE OR PERSONAL INJURY AND WILL INVALIDATE THE WARRANTY. PLEASE KEEP INSTRUCTIONS SAFE FOR FUTURE USE.

**1. SAFETY INSTRUCTIONS**

- 3 Follow all workshop safety rules, regulations, and conditions when using wrench.
- p **WARNING!** Disconnect from air supply before changing accessories or servicing.
- 3 Maintain the wrench in good condition and replace any damaged or worn parts. *Use genuine parts only. Non-authorized parts may be dangerous and will invalidate the warranty.*
- p **WARNING!** Check correct air pressure is maintained and not exceeded. We recommended 90psi.
- 3 Keep air hose away from heat, oil and sharp edges. Check air hose for wear before each use and ensure that all connections are secure.
- 3 Only use impact sockets which are specifically designed for use with an impact wrench.
- 3 Wear approved safety eye/face shield, ear defenders, and hand protection.
- p **WARNING!** Due to the possible presence of asbestos dust from brake linings, when working around vehicle brake systems we recommend you wear suitable respiratory protection
- 3 Maintain correct balance and footing. Ensure the floor is not slippery and wear non-slip shoes.
- 3 Keep children and unauthorised persons away from the working area.
- 7 **DO NOT** use the wrench for a task it is not designed to perform.
- p **WARNING! DO NOT** use wrench if damaged or thought to be faulty. (Contact Service Agent).
- 7 **DO NOT** use wrench unless you have been instructed in its use by a qualified person.
- 7 **DO NOT** drop, throw or abuse the wrench as it is a precision tool.
- 7 **DO NOT** carry the wrench by the air hose, or yank the hose from the air supply.
- 7 **DO NOT** operate wrench if you are tired, under the influence of alcohol, drugs or intoxicating medication.
- 7 **DO NOT** carry wrench with your hand on the power trigger in order to avoid unintentional starting.
- 7 **DO NOT** direct air from the air hose at yourself or others.
- 3 When not in use disconnect from air supply and store in a safe, dry, childproof location.

**2. INTRODUCTION & SPECIFICATIONS**

Heavy duty 1" pistol grip air wrench suitable for commercial and agricultural vehicle use. Pin clutch mechanism gives high power:weight ratio. 4-Position torque control with reverse. Supplied with side handle and spring balance hoop. Model SA683 is fitted with long anvil for areas with restricted access.

**MODEL SA682**  
 Drive size . . . . .1" Sq  
 Working/Max torque . . .1400/1600ft/lb  
 Ultimate torque . . . . .1800ft/lb  
 Air consumption . . . . .42cfm  
 Operating pressure . . . . .90psi  
 Air inlet size . . . . .1/2" BSP  
 Weight . . . . .22kg

**MODEL SA683**  
 Drive size . . . . .1" Sq  
 Working/Max torque . . .1100/1450ft/lb  
 Ultimate torque . . . . .1800ft/lb  
 Air consumption . . . . .42cfm  
 Operating pressure . . . . .90psi  
 Air inlet size . . . . .1/2" BSP  
 Weight . . . . .22kg

### 3. PREPARING WRENCH FOR USE

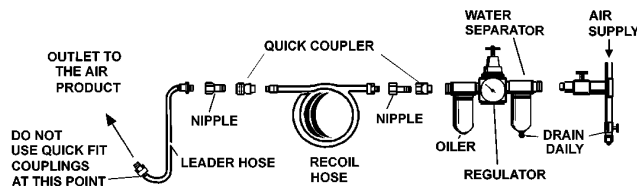
#### 3.1. Air Supply

- 3.1.1. Ensure wrench air valve (or trigger) is in the "off" position before connecting to the air supply.
- 3.1.2. You will require an air pressure of 90psi, and an air flow according to specification.
- 3.1.3. **WARNING!** Ensure the air supply is clean and does not exceed 90 psi while operating the wrench. Too high an air pressure and unclean air will shorten the product life due to excessive wear, and may be dangerous causing damage and/or personal injury.
- 3.1.4. Drain the air tank daily. Water in the air line will damage the wrench.
- 3.1.5. Clean air inlet filter weekly. Recommended hook-up procedure is shown in fig 1.
- 3.1.6. Line pressure should be increased to compensate for unusually long air hoses (over 8 metres). The minimum hose diameter should be 1/4" I.D. and fittings must have the same inside dimensions.
- 3.1.7. Keep hose away from heat, oil and sharp edges. Check hose for wear, and make certain that all connections are secure.

#### 3.2. Couplings.

Vibration may cause failure if a quick change coupling is connected directly to the wrench. To overcome this, connect a leader hose to the wrench. A quick change coupling may then be used to connect the leader hose to the air line recoil hose. See fig 1 & 2.

fig 1



#### 3.3. OTHER

Connect the side handle to the wrench with bolts provided.

### 4. OPERATING INSTRUCTIONS

**WARNING!** Ensure you read, understand and apply safety instructions before use.

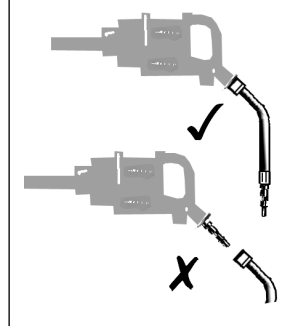
- 4.1. Only use impact sockets which are specifically designed for use with a impact wrench.
- 4.2. Connect the wrench to the air hose as in chapter 3.
- 4.3. Place the socket over the subject nut and depress the trigger to operate the wrench.
- 4.4. To change wrench direction turn the reverse lever.  
DO NOT use any additional force upon the wrench in order to remove a nut.
- 4.5. The flow of air may be regulated by turning the control on the base of the handle.

DO NOT allow wrench to free run for an extended period of time as this will shorten its life.

### 5. MAINTENANCE

- WARNING!** Disconnect wrench from air supply before changing accessories, servicing or performing maintenance. Replace or repair damaged parts. *Use genuine parts only. Non-authorized parts may be dangerous and will invalidate the warranty.*
- 5.1. Lubricate the air wrench daily with a few drops of Sealey air tool oil dripped into the air inlet to prolong its life.
  - 5.2. Clean the wrench after use. DO NOT use worn, or damaged sockets.
  - 5.3. Loss of power or erratic action may be due to the following:
    - a) Excessive drain on the air line. Moisture or restriction in the air pipe. Incorrect size or type of hose connectors. To remedy check the air supply and follow instructions in chapter 3.
    - b) Grit or gum deposits in the wrench may also reduce performance. If your model has an air strainer (located in the area of the air inlet), remove the strainer and clean it. Flush the wrench out with gum solvent oil or an equal mixture of SAE No 10 oil and paraffin. Allow to dry before use.
  - 5.4. For a full service contact your local Sealey service agent.
  - 5.5. When not in use, disconnect from air supply, clean wrench and store in a safe, dry, childproof location.

fig 2



### Declaration of Conformity



We, the sole importer into the UK, declare that the products listed here are in conformity with the following EEC standards and directives. The construction files for these products are held by the Manufacturer and may be inspected, by a national authority, upon request to Jack Sealey Ltd.

**Air Impact Wrench**  
**Models: SA682 & SA683**  
98/37/EC Machinery Directive  
93/68/EEC Marking Directive

Signed by Mark Sweetman

1st July 2000

For Jack Sealey Ltd. Sole importer into the UK  
of Sealey Power Tools.