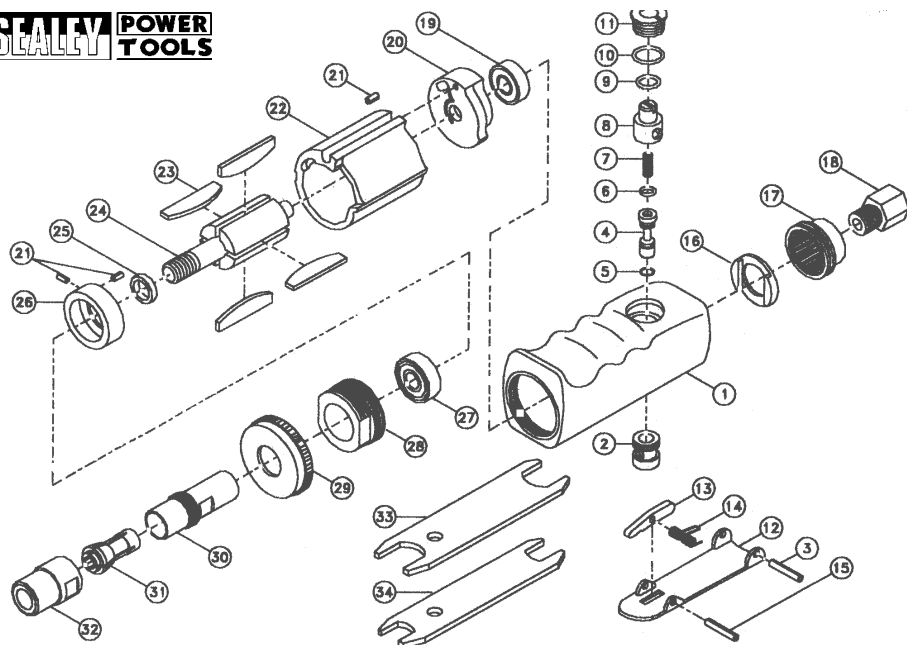


INSTRUCTIONS FOR
AIR DIE GRINDER
 Model: **SA654**

Thank you for purchasing a Sealey Product. Manufactured to a high standard this product will, if used according to these instructions and properly maintained, give you years of trouble free performance.

⚠ IMPORTANT: PLEASE READ THESE INSTRUCTIONS CAREFULLY. NOTE THE SAFE OPERATIONAL REQUIREMENTS, WARNINGS AND CAUTIONS. USE THIS PRODUCT CORRECTLY AND WITH CARE FOR THE PURPOSE FOR WHICH IT IS INTENDED. FAILURE TO DO SO MAY CAUSE DAMAGE OR PERSONAL INJURY AND WILL INVALIDATE THE WARRANTY. PLEASE KEEP INSTRUCTIONS SAFE FOR FUTURE USE.



Item	Part No	Description	Item	Part No	Description
1	SA654/01	MOTOR HOUSING	20	SA654/20	REAR END PLATE
2	SA654/02	VALVE BUSHING	21	SA654/21	PIN
3	SA654/03	LEVER PIN	22	SA654/22	CYLINDER
4	SA654/04	VALVE STEM	23	SA654/23	ROTOR BLADE
5	SA654/05	O-RING	24	SA654/24	ROTOR
6	SA654/06	O-RING	25	SA654/25	ROTOR SPACER
7	SA654/07	SPRING	26	SA654/26	FRONT END PLATE
8	SA654/08	REGULATOR	27	SA654/27	BALL BEARING
9	SA654/09	O-RING	28	SA654/28	LOCK NUT
10	SA654/10	O-RING	29	SA654/29	HOUSING CAP
11	SA654/11	VALVE SCREW	30	SA654/30	SPINDLE
12	SA654/12	THROTTLE LEVER	31	SA654/31	COLLET
13	SA654/13	STOP ROD	32	SA654/32	COLLET NUT
14	SA654/14	SPRING	33	SA654/33	SPANNER WRENCH (17mm)
15	SA654/15	PIN	34	SA654/34	SPANNER WRENCH (13mm)
16	SA654/16	SILENCER			
17	SA654/17	DEFLECTOR			
18	SA654/18	AIR INLET			
19	SA654/19	BALL BEARING			

Original Date: 010700
 Issue Date: 010700
 Version No: 0
 Date Modified: N/A

1. SAFETY INSTRUCTIONS

- 3 Follow all workshop health & safety rules, regulations, and conditions when using tool.
- p **WARNING!** Disconnect from air supply before changing grinding bit or servicing.
- 3 Maintain die grinder in good condition and replace any damaged or worn parts. Use genuine parts only. Non-authorized parts may be dangerous and will invalidate the warranty.
- p **WARNING!** Check correct air pressure is maintained and not exceeded. We recommended 90psi.
- 3 Keep air hose away from heat, oil and sharp edges. Check air hose for wear before each use and ensure that all connections are secure.
- p **WARNING!** Before each use check grinding bit is secure, and the bit is not worn or damaged, if damaged, replace immediately.
- 3 Ensure replacement grinding bits are not damaged (cracks, deformations or splinters etc).
- 3 Always use the correct grinding bit suitable for the material being ground. Ensure the maximum speed specification of the bit is higher than that indicated on the machine data plate.
- p **WARNING!** Always wear approved eye or face protection when operating the die grinder.
- 3 Use breathing protection in accordance with COSHH regulations if fumes or dust pose a hazard. Wear ear defenders and gloves if necessary.
- 3 Keep hands and body clear of the workpiece when operating the die grinder.
- 3 Maintain correct balance and footing. Ensure the floor is not slippery and wear non-slip shoes.
- 3 Secure non stable work piece with a clamp, vice or other adequate holding device.
- 3 Keep children and non essential persons away from the working area.
- 3 Avoid subjecting grinding bit to excessive strain, always ease grinding bit against workpiece (a harsh impact may break the bit). Maintain a controlled adequate progression.
- 8 DO NOT get the die grinder wet or use in damp or wet locations.
- 8 DO NOT hold the workpiece by hand. Use clamps or a vice to secure the workpiece.
- 8 DO NOT use the die grinder for a task it is not designed to perform.
- p **WARNING!** DO NOT use die grinder if damaged or faulty. Contact your local service agent.
- 7 DO NOT use die grinder unless you have been instructed in its use by a qualified person.
- 7 DO NOT carry the die grinder by the air hose, or yank the hose from the air supply.
- 7 DO NOT direct air from the air hose at yourself or others.
- p **WARNING!** DO NOT grind any materials containing asbestos.
- 7 DO NOT turn the die grinder on whilst the grinding bit is in contact with the work piece.
- 7 DO NOT use die grinder where there are flammable liquids, solids or gases such as paint solvents, including waste wiping or cleaning rags etc as generated sparks may be dangerous.
- 7 DO NOT touch the workpiece close to the ground surface as it will be very hot. Allow to cool.
- 7 DO NOT operate die grinder if you are tired, under the influence of alcohol, drugs or intoxicating medication.
- 3 When not in use disconnect from air supply and store in a safe, dry, childproof location.

NOTE: It is our policy to continually improve products and as such we reserve the right to alter data, specifications and component parts without prior notice. **IMPORTANT:** No liability is accepted for incorrect use of this equipment. **WARRANTY:** Guarantee is 12 months from purchase date. proof of which will be required for any claim. **INFORMATION:** Call us for a copy of our latest catalogue and promotions on 01284 757525 and leave your full name and address including your postcode.

2. INTRODUCTION & SPECIFICATIONS

Shaped composite cover moulded around lightweight aluminium alloy housing reduces effects of chill on operators' hands and provides added control. Quality air motor with Japanese/Swedish bearings for smooth and powerful operation. Available in both 0.3Hp and 0.6Hp versions. Integral sintered brass baffle with rear exhaust gives quiet operation. Fitted with safety trigger to prevent inadvertent operation. Supplied with spanner. Suitable for professional users.

Motor power 0.6Hp
 Collet size 6mm
 Free speed 20,000rpm
 Air consumption 4cfm

Operating pressure 90psi
 Air inlet size 1/4" BSP
 Weight 0.7kg

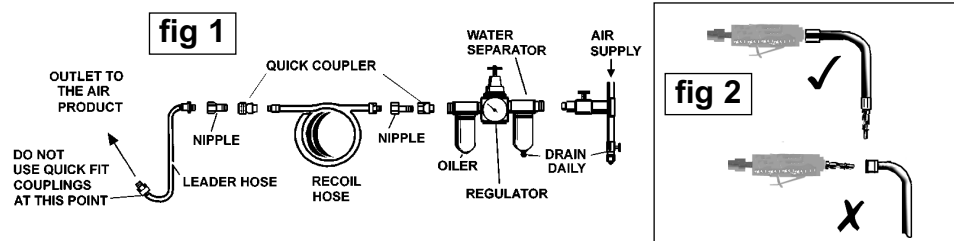
3. PREPARING TOOL FOR USE

3.1. Air Supply

- 3.1.1. Ensure die grinder air valve (or trigger) is in "off" position before connecting to the air supply.
- 3.1.2. You will require an air pressure of 90psi, and an air flow according to specification.
- 3.1.3. **WARNING!** Ensure the air supply is clean and does not exceed 90 psi while operating the die grinder. Too high an air pressure and unclean air will shorten the product life due to excessive wear, and may be dangerous causing damage and/or personal injury.
- 3.1.4. Drain the air tank daily. Water in the air line will damage the die grinder.
- 3.1.5. Clean air inlet filter weekly. Recommended hook-up procedure is shown in fig 1.
- 3.1.6. Line pressure should be increased to compensate for unusually long air hoses (over 8 metres). The minimum hose diameter should be 1/4" I.D. and fittings must have the same inside dimensions.
- 3.1.7. Keep hose away from heat, oil and sharp edges. Check hose for wear, and make certain that all connections are secure.

3.2. Couplings.

Vibration may cause failure if a quick change coupling is connected directly to the die grinder. To overcome this, connect a leader hose to the grinder. A quick change coupling may then be used to connect the leader hose to the air line recoil hose. See fig 1 & 2.



4. OPERATING INSTRUCTIONS

5.1 FITTING grinding bit

- WARNING!** Disconnect from the air supply before changing grinding bit.
- 5.1.1. Check that grinding bits are not damaged in any way such as cracks, deformations or splinters etc. Damaged bits must not be used.
 - 5.1.2. Use wrenches enclosed to loosen collet locking collar. Insert grinding bit and re-lock collar.

5.2. OPERATING

- WARNING!** Ensure you have read, understood and apply safety instructions.
- 5.2.1. Connect the die grinder to the air supply.
 - 5.2.2. To start, hold firmly and push the trigger locking lever forward whilst depressing trigger.
 - 5.2.3. The bit must be running at its maximum speed before attempting to grind the workpiece.
 - 5.2.4. Slowly and smoothly bring the grinding bit toward the workpiece (avoid jerky movements). Exert adequate pressure on the die grinder to grind according to the type and size of the material you are working with. Avoid subjecting bit to excessive strain or harsh impacts. Always hold die grinder firmly and ease grinding bit against workpiece. Maintain a controlled adequate progression.

DO NOT allow die grinder to free run for an extended period of time as this will shorten its life.

5. MAINTENANCE

- WARNING!** Disconnect die grinder from air supply before changing accessories, servicing or performing maintenance. Replace or repair damaged parts. *Use genuine parts only. Non-authorized parts may be dangerous and will invalidate the warranty.*
- 5.1. Lubricate the air die grinder daily with a few drops of Sealey air die grinder oil dripped into the air inlet to prolong its life.
 - 5.2. Clean the die grinder after use.
 - 5.3. Loss of power or erratic action may be due to the following:
 - a) Excessive drain on the air line. Moisture or restriction in the air pipe. Incorrect size or type of hose connectors. To remedy check the air supply and follow instructions in chapter 3.
 - b) Grit or gum deposits in the die grinder may also reduce performance. If your model has an air strainer (located in the area of the air inlet), remove the strainer and clean it. Flush the die grinder out with gum solvent oil or an equal mixture of SAE No 10 oil and paraffin. Allow to dry before use.
 - 5.4. For a full service contact your local Sealey service agent.
 - 5.5. When not in use, disconnect from air supply, clean die grinder and store in a safe, dry, childproof location.

Declaration of Conformity We, the sole importer into the UK, declare that the product listed here is in conformity with the following EEC standards and directives. The construction file for this product is held by the Manufacturer and may be inspected by a national authority upon request to contacting Jack Sealey Ltd

Air Die Grinder Model: SA654
 98/37/EC Machinery Directive
 93/68/EEC Marking Directive



Signed by Mark Sweetman

1st July 2000

For Jack Sealey Ltd. Sole importer into the UK of Sealey Power Tools.