



# 3/4"SQ DRIVE COMPACT AIR IMPACT WRENCH TWIN HAMMER

MODEL NO: SA6004.V2

Thank you for purchasing a Sealey product. Manufactured to a high standard, this product will, if used according to these instructions, and properly maintained, give you years of trouble free performance.

**IMPORTANT:** PLEASE READ THESE INSTRUCTIONS CAREFULLY. NOTE THE SAFE OPERATIONAL REQUIREMENTS, WARNINGS & CAUTIONS. USE THE PRODUCT CORRECTLY AND WITH CARE FOR THE PURPOSE FOR WHICH IT IS INTENDED. FAILURE TO DO SO MAY CAUSE DAMAGE AND/OR PERSONAL INJURY AND WILL INVALIDATE THE WARRANTY. KEEP THESE INSTRUCTIONS SAFE FOR FUTURE USE.



Refer to instruction manual



Wear protective gloves



Wear eye protection



Wear face mask



Wear ear protection



Wear protective clothing

## 1. SAFETY

- WARNING! DO NOT** use wrench if damaged or thought to be faulty. Contact Sealey stockist.
- WARNING!** Disconnect from the air supply before changing accessories or servicing.
- WARNING!** Due to the possible presence of asbestos dust from brake linings, when working around vehicle brake systems we recommend you wear suitable respiratory protection.
- WARNING!** Check correct air pressure is maintained and not exceeded. We recommend 90psi.
- DO NOT** use the wrench for a task it is not designed to perform.
- DO NOT** use worn, or damaged sockets.
- DO NOT** use the wrench unless you have been instructed in its use by a qualified person.
- DO NOT** use the wrench for a task it is not designed to perform.
- DO NOT** carry the wrench by the air hose.
- DO NOT** operate the wrench if you are tired or under the influence of alcohol, drugs or intoxicating medication.
- DO NOT** carry the wrench with your hand on the power trigger in order to avoid unintentional starting.
- DO NOT** direct air from the air hose at yourself or others.
- Maintain the wrench in good condition and replace any damaged or worn parts. *Use genuine parts only. Unauthorised parts may be dangerous and will invalidate the warranty.*
- Keep air hose away from heat, oil and sharp edges. Check air hose for wear before each use and ensure that all connections are secure.
- Only use impact sockets which are specifically designed for use with an impact wrench.
- Wear approved safety eye/face shield, ear defenders, dust mask and hand protection.
- Follow all workshop safety rules, regulations, and conditions when using the wrench.
- Maintain correct balance and footing. Ensure the floor is not slippery and wear non-slip shoes.
- Operate with both hands when practical to do so.
- When wearing gloves always be sure that the gloves will not prevent the throttle mechanism from being released.
- Keep children and non essential persons away from the working area.
- When not in use disconnect from air supply and store in a safe, dry, childproof location.
- WARNING!** The warnings, cautions and instructions in this manual cannot cover all possible conditions and situations that may occur. It must be understood by the operator that common sense and caution are factors which cannot be built into this product, but must be applied by the operator.

## 2. INTRODUCTION

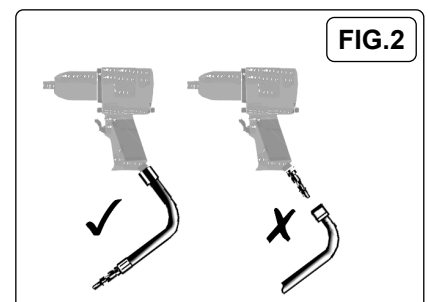
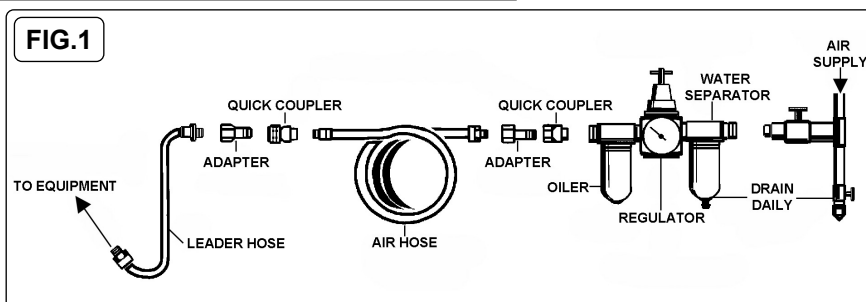
Composite body with aluminium front casing for lightweight and durability. One-handed operation with 3-speed selector switch and forward/reverse control at your fingertips. Handle features a downward facing exhaust to lower noise level and soft grips to help reduce vibration and chill.

## 3. SPECIFICATION

Model No: ..... SA6004.V2  
 Air Consumption: ..... 5.4cfm  
 Breakaway Torque: ..... 1400lb.ft (1900Nm)  
 Drive: ..... 3/4"Sq  
 Fastening Torque: ..... 800lb.ft(1085Nm)

Free Speed: ..... 7300rpm  
 Inlet Size: ..... 1/4"BSP  
 Noise Power/Pressure: ..... 114/103dB(A)  
 Operating Pressure: ..... 90psi  
 Vibration/Uncertainty: ..... 7.333/2.9m/s<sup>2</sup>

## 4. AIR SUPPLY



- ❑ **WARNING!** Ensure the air supply is clean and does not exceed 90psi while operating the wrench. Too high an air pressure and/or unclean air will shorten the product life due to excessive wear, and may be dangerous causing damage and/or personal injury.

#### 4.1. AIR SUPPLY

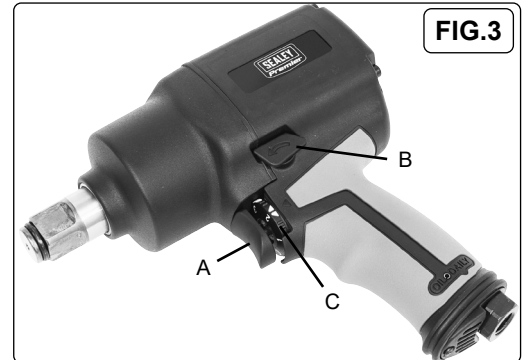
- 4.1.1. Ensure the wrench trigger is not depressed when connecting to the air supply.
- 4.1.2. You will require an air pressure of 90psi, and an air flow according to specification.
- 4.1.3. Drain your compressor air tank of water daily. Water in the air line will damage the wrench.
- 4.1.4. Clean the compressor air inlet filter weekly. Recommended hook-up procedure is shown in fig.1; see also note 4.2.
- 4.1.5. Line pressure should be increased to compensate for unusually long recoil air hoses (over 8 metres). The minimum supply pipework should be 1/2" I.D. **NOTE!** the impact wrench requires a 1/4" BSP fitting.
- 4.1.6. Keep hose away from heat, oil and sharp edges. Check hose for wear, and make certain that all connections are secure.

#### 4.2. COUPLINGS

- 4.2.1. Vibration may cause failure if a quick change coupling is connected directly to the wrench. To overcome this, connect a leader hose to the wrench. A quick change coupling may then be used to connect the leader hose to the air line recoil hose. See fig.1 & fig.2.

### 5. OPERATION

- 5.1. Connect the device as shown in fig.1 and fig.2.
- 5.2. Use appropriate sockets.
- 5.3. Switch rotation by pushing the switch (B) as shown in fig.3
- 5.4. To start the machine, pull the trigger (A). For greater speed, increase the pressure on the trigger.
- 5.5. Release the trigger to stop.
- 5.6. To adjust output power, turn the regulator (C) as shown in fig.3.
- 5.7. Use the reverse switch (B) only when the drive spindle comes to a complete stop.
- 5.8. Changing the speed before the drive spindle stops may damage the machine.



### 6. MAINTENANCE

- ❑ **WARNING!** Disconnect wrench from the air supply before changing accessories, servicing or performing maintenance.
- 6.1. Replace or repair damaged parts. *Use genuine parts only. Unauthorised parts may be dangerous and will invalidate the warranty.*
- 6.2. If the air system does not have an oiler, lubricate the air wrench daily with a few drops of Sealey air tool oil dripped into the air inlet.
- 6.3. Clean the wrench after use with a mild detergent on a moist cloth.
- 6.4. For a full service contact your local Sealey stockist.
- 6.5. When not in use, disconnect from the air supply, store in a safe, dry, childproof location.

### 7. TROUBLESHOOTING

- 7.1. Loss of power or erratic action may be due to the following:
  - A)** Excessive drain on the air line. Moisture or restriction in the air pipe. Incorrect size or type of hose connectors. To remedy check the air supply and follow instructions in section 4.
  - B)** Grit or gum deposits in the wrench may also reduce performance. This may be evident in the air strainer located in the area of the air inlet. Flush the wrench out with gum solvent oil or an equal mixture of SAE No 10 oil and paraffin. Allow to dry before use.

❑ **WARNING! – RISK OF HAND ARM VIBRATION INJURY**

This tool may cause Hand Arm Vibration Syndrome if its use is not managed adequately.

This tool is subject to the vibration testing section of the Machinery Directive 2006/42/EC.

This tool is to be operated in accordance with these instructions.

Measured vibration emission value (a): 7.333m/s<sup>2</sup>

Uncertainty value (k): 2.9m/s<sup>2</sup>

Please note that the application of the tool to a sole specialist task may produce a different average vibration emission. We recommend that a specific evaluation of the vibration emission is conducted prior to commencing with a specialist task.

A health and safety assessment by the user/employer will need to be carried out to determine the suitable duration of use for each tool.

NB: Stated Vibration Emission values are type-test values and are intended to be typical.

Whilst in use, the actual value will vary considerably from and depend on many factors.

Such factors include; the operator, the task and the inserted tool or consumable.

NB: ensure that the length of leader hoses is sufficient to allow unrestricted use, as this also helps to reduce vibration.

The state of maintenance of the tool itself is also an important factor, a poorly maintained tool will also increase the risk of Hand Arm Vibration Syndrome.

**HEALTH SURVEILLANCE**

We recommend a programme of health surveillance to detect early symptoms of vibration injury so that management procedures can be modified accordingly.

**PERSONAL PROTECTIVE EQUIPMENT**

We are not aware of any personal protective equipment (PPE) that provides protection against vibration injury that may result from the Uncontrolled use of this tool. We recommend a sufficient supply of clothing (including gloves) to enable the operator to remain warm and dry and maintain good blood circulation in fingers etc. Please note that the most effective protection is prevention, please refer to the correct use and maintenance section in these instructions. Guidance relating to the management of hand arm vibration can be found on the HSE website [www.hse.gov.uk](http://www.hse.gov.uk) - Hand-Arm Vibration at Work.



**ENVIRONMENT PROTECTION**

Recycle unwanted materials instead of disposing of them as waste. All tools, accessories and packaging should be sorted, taken to a recycling centre and disposed of in a manner which is compatible with the environment. When the product becomes completely unserviceable and requires disposal, drain any fluids (if applicable) into approved containers and dispose of the product and fluids according to local regulations.



**Note:** It is our policy to continually improve products and as such we reserve the right to alter data, specifications and component parts without prior notice. Please note that other versions of this product are available. If you require documentation for alternative versions, please email or call our technical team on [technical@sealey.co.uk](mailto:technical@sealey.co.uk) or 01284 757505.

**Important:** No Liability is accepted for incorrect use of this product.

**Warranty:** Guarantee is 36 months from purchase date, proof of which is required for any claim.

**Sealey Group, Kempson Way, Suffolk Business Park, Bury St Edmunds, Suffolk. IP32 7AR**



**01284 757500**



**sales@sealey.co.uk**



**www.sealey.co.uk**