



INSTRUCTIONS FOR:

AIR FILTER/REGULATOR/LUBRICATOR UNITS

MODEL NO'S: **SA4001, SA4001F, SA4001FR, SA4001L, SA4001R**

Thank you for purchasing a Sealey product. Manufactured to a high standard, this product will, if used according to these instructions and maintained properly, give you years of trouble free performance.

IMPORTANT: PLEASE READ THESE INSTRUCTIONS CAREFULLY. NOTE THE SAFE OPERATIONAL REQUIREMENTS, WARNINGS & CAUTIONS. USE THE PRODUCT CORRECTLY AND WITH CARE FOR THE PURPOSE FOR WHICH IT IS INTENDED. FAILURE TO DO SO MAY CAUSE DAMAGE AND/OR PERSONAL INJURY AND WILL INVALIDATE THE WARRANTY. KEEP THESE INSTRUCTIONS SAFE FOR FUTURE USE.



Refer to Instruction Manual

1. SAFETY

- WARNING!** Ensure Health & Safety, local authority, and general workshop practice regulations are adhered to when using this equipment.
- WARNING!** Disconnect the equipment from the air supply before changing accessories, servicing or performing any maintenance.
- Keep the equipment clean and maintain it in good condition (use an authorised service agent).
- Replace or repair damaged parts. *Use genuine parts only. Unauthorised parts may be dangerous and will invalidate the warranty.*
- WARNING!** Ensure that the correct air pressure is maintained and not exceeded.
- Keep air hose away from heat, oil and sharp edges. Check air hoses for wear before each use and ensure that all connections are secure.
- DO NOT** install in direct sunlight or near any other heat source.
- DO NOT** direct air from the air hose at yourself, others or animals.
- Drain the air tank daily. Water in the air line will damage equipment.
- When work is complete ensure that the air supply is turned off.
- If in any doubt about correct installation of this equipment consult a competent engineer.

2. INTRODUCTION

Suitable for most workshop air supply set-ups. Die-cast control heads with clear polycarbonate bowls. Regulator assembly features locking control knob for pre-setting air pressure and large, easy-to-read pressure gauge. Filter is fitted with automatic drain tap. Lubricator includes oil/air mix control and sight glass. Filter and lubricator are fitted with metal bowl cages for protection. Supplied with wall bracket.

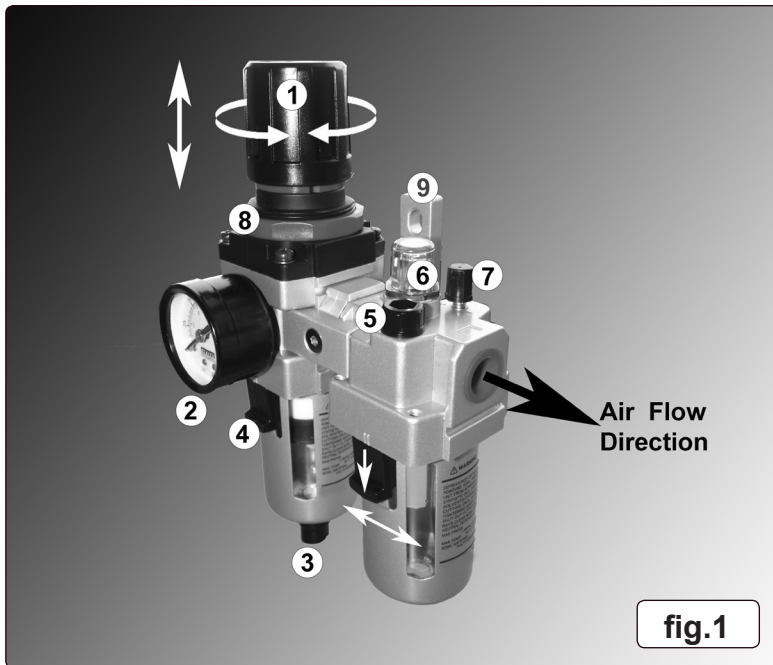


3. SPECIFICATION

Model No:	SA4001	SA4001F	SA4001FR	SA4001L	SA4001R
Port Size:	1/2" BSP	1/2" BSP	1/2" BSP	1/2" BSP	1/2" BSP
Maximum Working Pressure:	145psi	145psi	145psi	145psi	145psi
Maximum Airflow:	99cfm	135cfm	135cfm	145cfm	210cfm

4. INSTALLATION

- 4.1. Always ensure that components are installed in the air line in the correct flow direction. The flow direction is cast into the top casing of each unit.
- 4.2. Install the filter (if separate) upstream from the regulator and the lubricator downstream from it.
- 4.3. To mount the SA4001, fix the mounting bracket (fig.1.9) at the rear of the unit to the wall.
- 4.4. To mount the SA4001FR filter regulator and SA4001R regulator fix the mounting bracket provided to the wall. Remove the mounting bezel (fig.1.8) from the neck. Place the neck through the mounting bracket and replace the bezel to clamp the mounting bracket.
- 4.5. To install the pressure gauge (fig.1.2.), remove the blanking plug and screw in the gauge. PTFE tape may be required to achieve a good seal.
- 4.6. The SA4001F and SA4001L can be installed in the pipe run, supported by the pipe



Key to fig.1:

- 1 Pressure Adjustment Knob
- 2 Pressure Gauge
- 3 Filter Drain
- 4 Bowl Release Catch
- 5 Oil Filler Plug
- 6 Oil Feed Sight Glass
- 7 Oil Feed Adjustment
- 8 Mounting Bezel
- 9 Mounting Bracket

fig.1

5. OPERATION

- 5.1. **Regulator** - The output pressure is controlled by the pressure adjustment knob (fig.1.1). Before pressurising air system for the first time lift and rotate knob anticlockwise to remove any loading on the regulator spring. Pressurise the system and then rotate knob clockwise to set the required output pressure, as shown on gauge (fig.1.2). When the required pressure is achieved lock knob by pushing down.
Note: For correct pressure setting always adjust upwards from a lower pressure. Therefore to reset from 90 to 70psi, for example, reduce pressure from 90 to 60psi and then increase from 60 to 70psi.
- 5.2. **Filter** - The bowl will drain automatically each time the system pressure drops to zero. However; if the fluid level reaches the maximum mark but the system is to remain pressurised the bowl can be manually drained by pushing the filter drain (fig.1.3) upward.
Note: the drain is designed to take a flexible tube so that the waste fluid can be piped away.
- 5.3. **Lubricator** - Remove filler plug (fig.1.5) and fill bowl with air tool oil. This can be done with air line pressurised. With air flowing through the lubricator the oil delivery rate can be adjusted by means of the oil feed adjustment (fig.1.7) whilst watching the feed rate through the sight glass (fig.1.6). The oil delivery rate will be increased or decreased automatically in line with the air flow.

6. ADDITIONAL FITTINGS

The following fittings are available from your Sealey supplier:

SA1/1414	1/4" BSP-1/4" BSP male-male nipple
SA1/1212	1/2" BSP-1/2" BSP male-male nipple
SA1/3814F	3/8" BSP-1/4" BSP male-female reducer
SA1/1214F	1/2" BSP-1/4" BSP male-female reducer
SA1/1238F	1/2" BSP-3/8" BSP male-female reducer

Environmental Protection



Recycle unwanted materials instead of disposing of them as waste. All tools, accessories and packaging should be sorted, taken to a recycling centre and disposed of in a manner which is compatible with the environment. When the product becomes completely unserviceable dispose of it according to local regulations.

NOTE: It is our policy to improve products continually and as such we reserve the right to alter data, specifications and component parts without prior notice.

IMPORTANT: No liability is accepted for incorrect use of this product.

WARRANTY: Guarantee is 12 months from purchase date, proof of which will be required for any claim.



Sole UK Distributor, Sealey Group,
Kempson Way, Suffolk Business Park,
Bury St. Edmunds, Suffolk,
IP32 7AR



01284 757500



01284 703534



www.sealey.co.uk



sales@sealey.co.uk