



AIR IMPACT WRENCH 3/4"SQ DRIVE HEAVY-DUTY

MODEL NO: SA4.V2

Thank you for purchasing a Sealey product. Manufactured to a high standard, this product will, if used according to these instructions, and properly maintained, give you years of trouble free performance.

IMPORTANT: PLEASE READ THESE INSTRUCTIONS CAREFULLY. NOTE THE SAFE OPERATIONAL REQUIREMENTS, WARNINGS & CAUTIONS. USE THE PRODUCT CORRECTLY AND WITH CARE FOR THE PURPOSE FOR WHICH IT IS INTENDED. FAILURE TO DO SO MAY CAUSE DAMAGE AND/OR PERSONAL INJURY AND WILL INVALIDATE THE WARRANTY. KEEP THESE INSTRUCTIONS SAFE FOR FUTURE USE.



Refer to instructions



Wear eye protection



Wear protective gloves



Wear ear protection



Wear a mask



Wear safety boots



Heavy item

1. SAFETY

- ✓ Follow all workshop safety rules, regulations and conditions when using this wrench.
- ❑ **WARNING!** Disconnect from air supply before changing accessories or servicing.
- ✓ Maintain the wrench in good condition and replace any damaged or worn parts. *Use genuine parts only. Unauthorised parts may be dangerous and will invalidate the warranty.*
- ❑ **WARNING!** Check correct air pressure is maintained and not exceeded. We recommend 90psi.
- ✓ Keep air hose away from heat, oil and sharp edges. Check air hose for wear before each use and ensure that all connections are secure.
- ✓ Only use impact sockets which are specifically designed for use with an impact wrench.
- ✓ Wear approved safety eye/face shield, ear defenders and hand protection.
- ❑ **WARNING!** Due to the possible presence of asbestos dust from brake linings, when working around vehicle brake systems we recommend you wear suitable respiratory protection
- ✓ Maintain correct balance and footing. Ensure the floor is not slippery and wear non-slip shoes.
- ✓ Keep children and non essential persons away from the working area.
- ✗ **DO NOT** use the wrench for a task it is not designed to perform.
- ❑ **WARNING! DO NOT** use wrench if damaged or thought to be faulty. (Contact Service Agent).
- ✗ **DO NOT** use wrench unless you have been instructed in its use by a qualified person.
- ✗ **DO NOT** carry the wrench by the air hose, or yank the hose from the air supply.
- ✗ **DO NOT** operate wrench if you are tired or under the influence of alcohol, drugs or intoxicating medication.
- ✗ **DO NOT** carry wrench with your hand on the power trigger in order to avoid unintentional starting.
- ✗ **DO NOT** direct air from the air hose at yourself or others.
- ✓ When not in use disconnect from air supply and store in a safe, dry, childproof location.

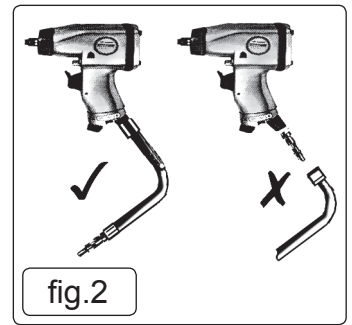
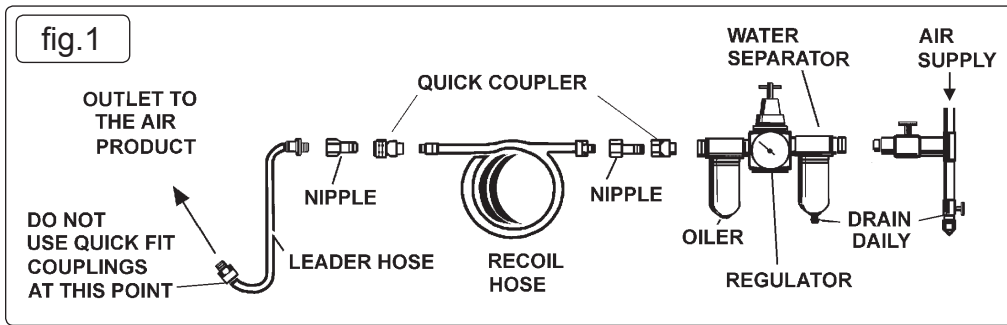
2. INTRODUCTION

Suitable for heavy garage and tyre shop use. Fitted with rocking-dog hammer mechanism with hardened anvil and cage. Features variable air/torque control and reversible action. Polished aluminium housing with textured grip.

3. SPECIFICATION

Model No: SA4.V2
 Drive: 3/4"Sq
 Maximum Torque: 520lb.ft (707Nm)
 Breakaway Torque: 540lb.ft (734Nm)
 Free Speed: 4500rpm
 Air Consumption:7cfm
 Operating Pressure: (6bar) 90psi
 Air Inlet Size: 1/4" BSP
 Nett Weight: 4.5kg
 Vibration: 4.89m/s²
 Uncertainty: 0.59m/s²
 Noise Power: 104dB(A)
 Noise Pressure: 93dB(A)



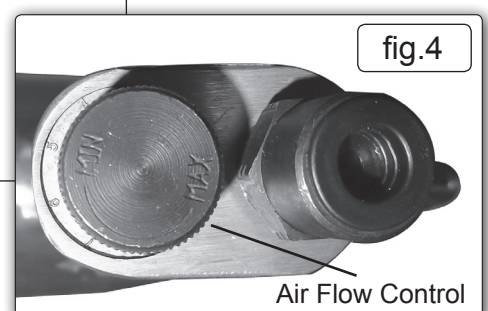


4. AIR SUPPLY

- 4.1. Recommended hook-up procedure is shown in (fig.1).
- 3.1.1. Ensure wrench air valve (or trigger) is in the "off" position before connecting to the air supply.
- 3.1.2. You will require an air pressure of 90psi, and an air flow according to specification.
- ☐ **WARNING!** Ensure the air supply is clean and does not exceed 90 psi while operating the wrench. Too high an air pressure and unclean air will shorten the product life due to excessive wear, and may be dangerous causing damage and/or personal injury.
- 3.1.4. Drain the air tank daily. Water in the air line will damage the wrench.
- 3.1.5. Clean air inlet filter weekly.
- 3.1.6. Line pressure should be increased to compensate for unusually long air hoses (over 8 metres). The minimum hose diameter should be 1/4" I.D. and fittings must have the same inside dimensions.
- 3.1.7. Keep hose away from heat, oil and sharp edges. Check hose for wear, and make certain that all connections are secure.
- 4.2. **COUPLINGS**
Vibration may cause failure if a quick change coupling is connected directly to the wrench. To overcome this, connect a leader hose to the wrench. A quick change coupling may then be used to connect the leader hose to the air line recoil hose (fig's.1 & 2).

5. OPERATION

- ☐ **WARNING! Ensure you read, understand and apply safety instructions before use.**
- 5.1. Only use impact sockets which are specifically designed for use with an impact wrench.
- 5.2. This impact wrench is heavy. Maintain control of the tool at all times during use.
- 5.3. Connect the wrench to the air hose as in section 4.
- 5.4. When the forward/reverse button protrudes over the trigger as seen in (fig.3) the wrench is running in the forward direction (tightening). To select reverse (loosening) push the button inwards. The other end of the button will now be protruding from the rear face of the wrench. To return to forward running push the button inwards at the rear face of the wrench.
- 5.5. Place the socket over the subject nut and depress the trigger to operate the wrench.
- 5.6. The flow of air may be regulated by adjusting the air flow control at the base of the handle (fig's.3 & 4).
- × **DO NOT** use any additional force upon the wrench in order to remove a nut.
- × **DO NOT** allow wrench to free run for an extended period of time as this will shorten its life.



6. MAINTENANCE

- ❑ **WARNING!** Disconnect wrench from air supply before changing accessories, servicing or performing maintenance. Replace or repair damaged parts. *Use genuine parts only. Unauthorised parts may be dangerous and will invalidate the warranty.*
- 6.1. If the air supply does not have an oiler, lubricate the air wrench daily with a few drops of Sealey air tool oil dripped into the air inlet.
- 6.2. Clean the wrench after use. **DO NOT** use worn, or damaged sockets.
- 6.3. Loss of power or erratic action may be due to the following:
 - a) Excessive drain on the air line. Moisture or restriction in the air pipe. Incorrect size or type of hose connectors. To remedy check the air supply and follow instructions in section 3.
 - b) Grit or gum deposits in the wrench may also reduce performance. If your model has an air strainer (located in the area of the air inlet), remove the strainer and clean it. Flush the wrench out with gum solvent oil or an equal mixture of SAE No 10 oil and paraffin. Allow to dry before use.
- 6.4. For a full service contact your local Sealey service agent.
- 6.5. When not in use, disconnect from air supply, clean wrench and store in a safe, dry, childproof location.

WARNING! – Risk of Hand Arm Vibration Injury.

This tool may cause Hand Arm Vibration Syndrome if its use is not managed adequately.

This tool is subject to the vibration testing section of the Machinery Directive 2006/42/EC.
This tool is to be operated in accordance with these instructions.

Measured vibration emission value (a): 17.07 m/s²

Uncertainty value (k): 2.32m/s²

Please note that the application of the tool to a sole specialist task may produce a different average vibration emission. We recommend that a specific evaluation of the vibration emission is conducted prior to commencing with a specialist task.

A health and safety assessment by the user (or employer) will need to be carried out to determine the suitable duration of use for each tool.

NB: Stated Vibration Emission values are type-test values and are intended to be typical.

Whilst in use, the actual value will vary considerably from and depend on many factors.

Such factors include; the operator, the task and the inserted tool or consumable.

NB: ensure that the length of leader hoses is sufficient to allow unrestricted use, as this also helps to reduce vibration.

The state of maintenance of the tool itself is also an important factor, a poorly maintained tool will also increase the risk of Hand Arm Vibration Syndrome.

Health surveillance.

We recommend a programme of health surveillance to detect early symptoms of vibration injury so that management procedures can be modified accordingly.

Personal protective equipment.

We are not aware of any personal protective equipment (PPE) that provides protection against vibration injury that may result from the uncontrolled use of this tool. We recommend a sufficient supply of clothing (including gloves) to enable the operator to remain warm and dry and maintain good blood circulation in fingers etc. Please note that the most effective protection is prevention, please refer to the Correct Use and Maintenance section in these instructions. Guidance relating to the management of hand arm vibration can be found on the HSE website www.hse.gov.uk - Hand-Arm Vibration at Work.



ENVIRONMENT PROTECTION

Recycle unwanted materials instead of disposing of them as waste. All tools, accessories and packaging should be sorted, taken to a recycling centre and disposed of in a manner which is compatible with the environment. When the product becomes completely unserviceable and requires disposal, drain any fluids (if applicable) into approved containers and dispose of the product and fluids according to local regulations.

Note: It is our policy to continually improve products and as such we reserve the right to alter data, specifications and component parts without prior notice.

Important: No Liability is accepted for incorrect use of this product.

Warranty: Guarantee is 12 months from purchase date, proof of which is required for any claim.

Sealey Group, Kempson Way, Suffolk Business Park, Bury St Edmunds, Suffolk. IP32 7AR



01284 757500



01284 703534



sales@sealey.co.uk



www.sealey.co.uk