

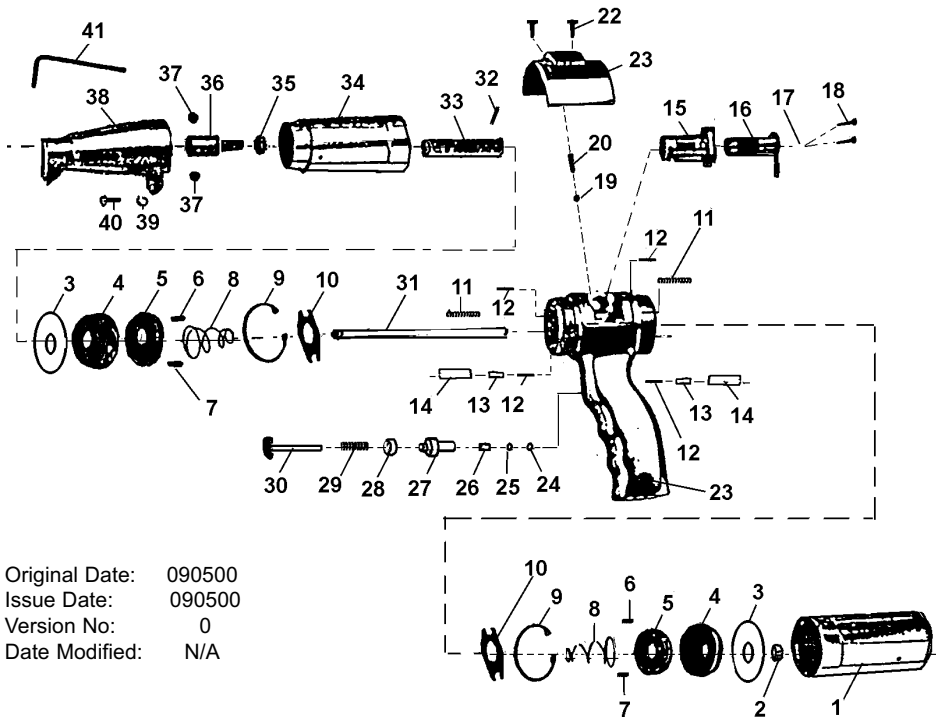


INSTRUCTIONS FOR AIR OPERATED SAW

Model: SA341

Thank you for purchasing a Sealey Product. Manufactured to a high standard this product will, if used according to these instructions and properly maintained, give you years of trouble free performance.

IMPORTANT: PLEASE READ THESE INSTRUCTIONS CAREFULLY. NOTE THE SAFE OPERATIONAL REQUIREMENTS, WARNINGS AND CAUTIONS. USE THIS PRODUCT CORRECTLY AND WITH CARE FOR THE PURPOSE FOR WHICH IT IS INTENDED. FAILURE TO DO SO MAY CAUSE DAMAGE OR PERSONAL INJURY AND WILL INVALIDATE THE WARRANTY. PLEASE KEEP INSTRUCTIONS SAFE FOR FUTURE USE.



Original Date: 090500
Issue Date: 090500
Version No: 0
Date Modified: N/A

Item	Part No	Description	Item	Part No	Description
1	SA341/01	REAR BARREL	24	SA341/24	O-RING (P8)
2	SA341/02	NUT	25	SA341/25	VALVE RING
3	SA341/03	WASHER	26	SA341/26	VALVE
4	SA341/04	LEATHER CUP	27	SA341/27	VALVE BUSHING
5	SA341/05	PLATE	28	SA341/28	NUT (ROUND)
6	SA341/06	RIVET	29	SA341/29	LOCK SPRING
7	SA341/07	RIVET	30	SA341/30	AIR TRIGGER
8	SA341/08	SHIFTING SPRING	31	SA341/31	AXIS
9	SA341/09	RETAINING RING	32	SA341/32	PIN
10	SA341/10	DIRECTION PLATE	33	SA341/33	DRIVE SHAFT
11	SA341/11	LOCK SPRING	34	SA341/34	FRONT BARREL
12	SA341/12	PIN	35	SA341/35	NUT (HEX)
13	SA341/13	PIN BOX	36	SA341/36	TOOL CHUCK
14	SA341/14	PUSH ROD	37	SA341/37	SOCK. CAP SCREW
15	SA341/15	VALVE BUSH	38	SA341/38	CHUCK GUARD
16	SA341/16	DIRECTION VALVE	39	SA341/39	SPRING WASHER
17	SA341/17	DEAD PLATE	40	SA341/40	SCREW
18	SA341/18	SCREW	41	SA341/41	4MM HEX. WRENCH
19	SA341/19	BALL VALVE		SA341/B14	BLADE 14TPI X 4
20	SA341/20	LOCK RING		SA341/18	BLADE 18TPI X 4
21	SA341/21	UPPER COVER		SA341/24	BLADE 24TPI X 4
22	SA341/22	SCREW		SA341/32	BLADE 32TPI X 4
23	SA341/23	HANDLE			

NOTE: It is our policy to continually improve products and as such we reserve the right to alter data, specifications and component parts without prior notice. **IMPORTANT:** No liability is accepted for incorrect use of this equipment. **WARRANTY:** Guarantee is 12 months from purchase date. Proof of which will be required for any claim. **INFORMATION:** Call us for a copy of our latest catalogue and promotions on 01284 757525 and leave your full name and address including your postcode.

1. SAFETY INSTRUCTIONS

- ⚠ **WARNING!** Ensure Health & Safety, local authority, and general workshop practice regulations are adhered to when using this equipment.
- ⚠ **WARNING!** Disconnect from air supply before changing accessories or servicing.
- 3 Maintain the saw in good condition (use an authorised service agent).
- 3 Replace or repair damaged parts. Use genuine parts only. Non-authorized parts may be dangerous and will invalidate the warranty.
- 3 Use in suitable clean and tidy working area, free from unrelated materials and ensure there is adequate lighting.
- 3 Before each use check saw blade for condition. If worn or damaged replace immediately.
- 3 Ensure the correct saw type and size is used.
- 3 Ensure there are no flammable or combustible materials near the work area.
- ⚠ **WARNING!** Always wear approved eye or face protection when operating the saw.
- 3 Depending on the task, saw noise level may exceed 85dB in which case wear safety ear defenders.
- 3 Remove ill fitting clothing. Remove ties, watches, rings, other loose jewellery, and contain and/or tie back long hair.
- 3 Wear appropriate protective clothing and keep hands and body clear of saw blades.
- 3 Maintain correct balance and footing. Ensure the floor is not slippery and wear non-slip shoes.
- 3 Keep children and unauthorised persons away from the working area.
- 3 Check moving parts alignment on a regular basis.
- 3 Ensure workpiece is secure before operating the saw. Never hold a workpiece by hand.
- 3 Check workpiece to ensure there are no hidden features that could damage or snag the saw blade.
- 3 Check work piece for hidden wires or other items that require protection from the saw blade.
- 3 Avoid unintentional starting.
- ⚠ **WARNING!** Ensure correct air pressure is maintained and not exceeded. Recommended 70-90psi
- 3 Keep air hose away from heat, oil and sharp edges. Check air hose for wear before each use and ensure that all connections are secure.
- 3 Prolonged exposure to vibration from this saw poses a health risk. It is the operator's responsibility to correctly assess the potential hazard and issue guidelines for safe periods of use and offer suitable protective equipment.
- 7 DO NOT use the saw for a task it is not designed to perform.
- 7 DO NOT operate saw if any parts are damaged or missing as this may cause failure and/or personal injury.
- ⚠ **WARNING!** DO NOT saw any materials containing asbestos.
- 7 DO NOT carry the saw by the hose, or yank the hose from the air supply.
- 7 DO NOT force, or apply heavy pressure to the saw, let the saw do the work.
- 7 DO NOT place saw blades close to your face and do not point at other persons or animals.
- 7 DO NOT operate saw when you are tired, under the influence of alcohol, drugs or intoxicating medication.
- 7 DO NOT use saw where there is flammable liquids, solids or gases such as paint solvents and including waste wiping or cleaning rags etc.
- 7 DO NOT carry the saw with your hand on the power lever.
- 7 DO NOT direct air from the air hose at yourself or others.
- 3 When not in use disconnect from air supply and store in a safe, dry, childproof location.



Sole UK Distributor, Sealey Group, Bury St. Edmunds, Suffolk.



01284 757500



01284 703534

E-mail: sales@sealey.co.uk

2. INTRODUCTION & SPECIFICATIONS

The SA341 is suitable for a variety of bodyshop applications such as cutting through panels, sills, chassis etc. Excellent for initial crash-repair preparation when quick removal of damaged panels is required. The saw is fitted with a safety-trigger device.

Saw blade size 14,18,24,32mm
 Max cutting capacity 10mm(steel)
 Operating Pressure90psi
 Air Consumption5CFM
 Air Inlet1/4BSP

Sound (dB)87.8dB (A)
 Vibration level6.7m/s²
 Weight2kg

3. PREPARING SAW FOR USE

3.1. Air Supply

- 3.1.1. Ensure the saw air valve (or trigger) is in the "off" position before connecting to the air supply.
- 3.1.2. You will require an air pressure between 70-90psi, and an air flow according to the specification above.
- 3.1.3. **WARNING!** Ensure the air supply is clean and does not exceed 90 psi while operating the saw. Too high an air pressure and unclean air will shorten the product life due to excessive wear, and may be dangerous causing damage and/or personal injury.
- 3.1.4. Drain the air tank daily. Water in the air line will damage the saw.
- 3.1.5. Clean air inlet filter weekly. Recommended hook-up procedure is shown in fig 1.
- 3.1.6. Line pressure should be increased to compensate for unusually long air hoses (over 8 metres). The minimum hose diameter should be 1/4" I.D. and fittings must have the same inside dimensions.
- 3.1.7. Keep hose away from heat, oil and sharp edges. Check hoses for wear, and make certain that all connections are secure.

3.2. Couplings.

Vibration may cause failure if a quick change coupling is connected directly to the air saw. To overcome this, connect a leader hose to the saw. A quick change coupling may then be used to connect the leader hose to the air line recoil hose. See fig 1 & 2.

fig 1

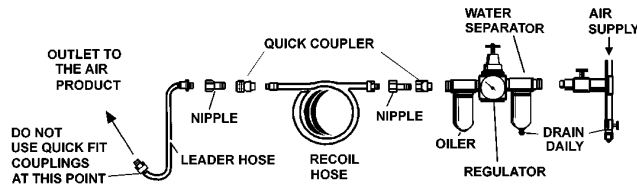
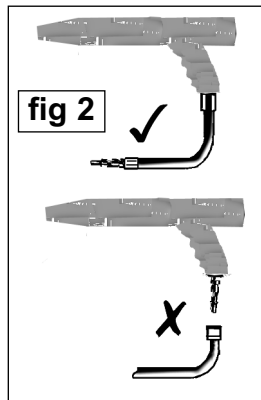


fig 2



4. OPERATING INSTRUCTIONS

- WARNING! Ensure you read, understand and apply safety instructions before use.**
- 4.1. Loosen both hex grub screws in piston head of saw and insert appropriate saw blade to the depth of the retaining slot. Tighten hex screws from both sides so that the saw is in the middle of the piston head.
- 4.2. Connect the saw to the air hose as in chapter 3.
- 4.3. Depress the trigger to operate the saw. Start the saw with the blade slightly away from the cutting line, and carefully bring blade to the line of cut. DO NOT apply excessive pressure. To avoid snagging the blade draw blade back from cutting line before stopping the saw. Regularly check the blade for wear, always change a damaged blade.
- 4.4. For safety, you can screw trigger locking nut to the head to lock trigger in the OFF position.

DO NOT allow saw to run in "idle rotation" for an extended period of time as this will shorten the saws life.

5. MAINTENANCE

- WARNING!** Disconnect saw from air supply before changing accessories, servicing or performing maintenance. Replace or repair damaged parts. *Use genuine parts only. Non-authorized parts may be dangerous and will invalidate the warranty.*
- 5.1. Lubricate the air saw daily with a few drops of Sealey air tool oil dripped into the air inlet to prolong saw life.
- 5.2. Clean the saw after use and change blades when required.
- 5.3. Loss of power or erratic action may be due to the following:
 - a) Excessive drain on the air line. Moisture or restriction in the air pipe. Incorrect size or type of hose connectors. To remedy check the air supply and follow instructions in chapter 3.
 - b) Grit or gum deposits in the saw may also reduce performance. If your model has an air strainer (located in the area of the air inlet), remove the strainer and clean it. Flush the saw out with gum solvent oil or an equal mixture of SAE No 10 oil and kerosene. Allow to dry before use. If you continue to experience problems, contact your local Sealey service agent.
- 5.4. For a full service contact your local Sealey service agent.
- 5.5. When not in use, disconnect from air supply, clean saw and store in a safe, dry, childproof location.

Declaration of Conformity



We, the sole importer into the UK, declare that the product listed here is in conformity with the following EEC standards and directives. The construction file for this product is held by the Manufacturer and may be inspected, by a national authority, upon request to Jack Sealey Ltd.

**Air Operated Saw
 Model: SA341**

98/37/EC Machinery Directive
 93/68/EEC Marking Directive

Signed by Mark Sweetman

9th May 2000

For Jack Sealey Ltd. Sole importer into the UK of Sealey Power Products.