

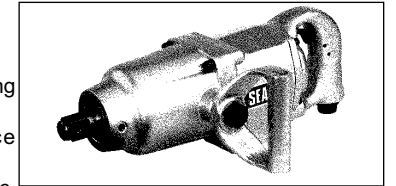
ITEM	PART NO	DESCRIPTION	ITEM	PART NO	DESCRIPTION	ITEM	PART NO	DESCRIPTION
1	SA29SX-01	MOTOR HOUSING	18	SA29SX-18	TRIGGER PIN	35	SA29SX-35	PIN
2	SA29SX-02	REAR COVER	19	SA29SX-19	BUSHING	36	SA29SX-36	CYLINDER
3	SA29SX-03	REAR GASKET	20	SA29SX-20	THROTTLE PIN	37	SA29SX-37	ROTOR
4	SA29SX-04	SCREW	21	SA29SX-21	O-RING	38	SA29SX-38	ROTOR BLADE
5	SA29SX-05	WASHER	22	SA29SX-22	RETAINER, O-RING	39	SA29SX-39	REAR END PLATE
6	SA29SX-06	ANVIL BUSHING	23	SA29SX-23	SPRING	40	SA29SX-40	PIN
7	SA29SX-07	OIL SEAL	24	SA29SX-24	SCREEN	41	SA29SX-41	HAMMER CAGE
8	SA29SX-08	COVER	25	SA29SX-25	HOSE FITTING	42	SA29SX-42	WASHER
9	SA29SX-09	SCREW	26	SA29SX-26	O-RING	43	SA29SX-43	HAMMER PIN
10	SA29SX-10	CLUTCH HOUSING	27	SA29SX-27	DUST COVER	44	SA29SX-44	HAMMER DOG
11	SA29SX-11	FRONT GASKET	28	SA29SX-28	VALVE SLEEVE	45	SA29SX-45	DRIVE CAM
12	SA29SX-12	SCREW	29	SA29SX-29	REVERSE VALVE	46	SA29SX-46	ANVIL
13	SA29SX-13	WASHER	30	SA29SX-30	LEVER REVERSE	47	SA29SX-47	BUSHING FLANGE
14	SA29SX-14	SCREW	31	SA29SX-31	PIN	48	SA29SX-48	WASHER
15	SA29SX-15	HANDLE DEAD	32	SA29SX-32	O-RING	49	SA29SX-49	O-RING
16	SA29SX-16	SCREW	33	SA29SX-33	BEARING	50	SA29SX-50	ANVIL COLLAR
17	SA29SX-17	TRIGGER	34	SA29SX-34	FRONT END PLATE			

**NOTE:** It is our policy to continually improve products and as such we reserve the right to alter data, specifications and component parts without prior notice. **IMPORTANT:** No liability is accepted for incorrect use of this equipment. **WARRANTY:** Guarantee is 12 months from purchase date, proof of which will be required for any claim. **INFORMATION:** Call us for a copy of our latest catalogue and promotions on 01284 757525 and leave your full name and address including your postcode.

Thank you for purchasing a Sealey Product. Manufactured to a high standard this product will, if used according to these instructions and properly maintained, give you years of trouble free performance.

**IMPORTANT:** PLEASE READ THESE INSTRUCTIONS CAREFULLY. NOTE THE SAFE OPERATIONAL REQUIREMENTS, WARNINGS AND CAUTIONS. USE THIS PRODUCT CORRECTLY AND WITH CARE FOR THE PURPOSE FOR WHICH IT IS INTENDED. FAILURE TO DO SO MAY CAUSE DAMAGE AND/OR PERSONAL INJURY AND WILL INVALIDATE THE WARRANTY. PLEASE KEEP INSTRUCTIONS SAFE FOR FUTURE USE.

- WARNING!** Ensure health & safety, local authority, and general workshop practice regulations are adhered to when using this equipment.
- WARNING!** Disconnect from air supply before changing accessories or servicing.
- Maintain the wrench in good condition and replace any damaged or worn parts. Use *genuine parts only*. Unauthorised parts may be dangerous and will invalidate the warranty.
- WARNING!** Check correct air pressure is maintained and not exceeded. We recommend 90psi.
- Keep air hose away from heat, oil and sharp edges. Check air hose for wear before each use and ensure that all connections are secure.
- Only use impact sockets which are specifically designed for use with an impact wrench.
- Wear approved safety eye/face shield, ear defenders, and hand protection.
- WARNING!** Due to the possible presence of asbestos dust from brake linings, when working around vehicle brake systems we recommend you wear suitable respiratory protection.
- Maintain correct balance and footing. Ensure the floor is not slippery and wear non-slip shoes.
- Keep children and non essential persons away from the working area.
- DO NOT use the wrench for a task it is not designed to perform.
- WARNING! DO NOT** use wrench if damaged or thought to be faulty. (Contact Service Agent).
- DO NOT use wrench unless you have been instructed in its use by a qualified person.
- DO NOT carry the wrench by the air hose, or yank the hose from the air supply.
- DO NOT operate wrench if you are tired or under the influence of alcohol, drugs or intoxicating medication.
- DO NOT carry wrench with your hand on the power trigger in order to avoid unintentional starting.
- DO NOT direct air from the air hose at yourself or others.
- When not in use disconnect from air supply and store in a safe, dry, childproof location.



## 2. INTRODUCTION & SPECIFICATIONS

Tough 'straight line' Impact Wrench fitted with side handle and incorporating reverse action.

Drive size . . . . . 1" Sq  
Working/Max torque . . . . . 900/1100ft.lb  
Operating pressure . . . . . 90psi  
Weight . . . . . 13.0kg  
Sound pressure . . . . . 106.8dB

Air inlet size . . . . . 1/2" BSP  
Ultimate torque . . . . . 1150ft.lb  
Air consumption . . . . . 21cfm  
Vibration level . . . . . 1.5m/s<sup>2</sup>  
Sound Power . . . . . 107.5dB

### 3. PREPARING WRENCH FOR USE

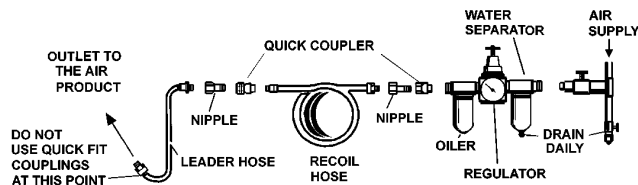
#### 3.1. Air Supply

- 3.1.1. Ensure wrench air valve (or trigger) is in the "off" position before connecting to the air supply.
- 3.1.2. You will require an air pressure of 90psi, and an air flow according to specification.
- 3.1.3.  **WARNING!** Ensure the air supply is clean and does not exceed 90 psi while operating the wrench. Too high an air pressure and unclean air will shorten the product life due to excessive wear, and may be dangerous causing damage and/or personal injury.
- 3.1.4. Drain the air tank daily. Water in the air line will damage the wrench.
- 3.1.5. Clean air inlet filter weekly. Recommended hook-up procedure is shown in fig 1.
- 3.1.6. Line pressure should be increased to compensate for unusually long air hoses (over 8 metres). The minimum hose diameter should be 1/4" I.D. and fittings must have the same inside dimensions.
- 3.1.7. Keep hose away from heat, oil and sharp edges. Check hose for wear, and make certain that all connections are secure.

#### 3.2. Couplings.

Vibration may cause failure if a quick change coupling is connected directly to the wrench. To overcome this, connect a leader hose to the wrench. A quick change coupling may then be used to connect the leader hose to the air line recoil hose. See fig 1 & 2.

fig 1



#### 3.3. ASSEMBLY

Connect the side handle to the wrench with bolts provided.

### 4. OPERATING INSTRUCTIONS

**WARNING!** Ensure you read, understand and apply safety instructions before use.

- 4.1. Only use impact sockets which are specifically designed for use with a impact wrench.
- 4.2. Connect the wrench to the air hose as in chapter 3.
- 4.3. Place the socket over the subject nut and depress the trigger to operate the wrench.
- 4.4. To change wrench direction turn the reverse lever.
- 4.5. The flow of air may be regulated by turning the screw below the trigger.

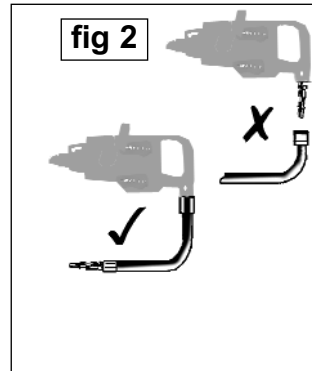
DO NOT use any additional force upon the wrench in order to remove a nut.

DO NOT allow wrench to free run for an extended period of time as this will shorten its life.

### 5. MAINTENANCE

- WARNING!** Disconnect wrench from air supply before changing accessories, servicing or performing maintenance. Replace or repair damaged parts. *Use genuine parts only. Unauthorised parts may be dangerous and will invalidate the warranty.*
- 5.1. Lubricate the air wrench daily with a few drops of Sealey air tool oil dripped into the air inlet to prolong its life.
- 5.2. Clean the wrench after use. DO NOT use worn, or damaged sockets.
- 5.3. Loss of power or erratic action may be due to the following:
  - a) Excessive drain on the air line. Moisture or restriction in the air pipe. Incorrect size or type of hose connectors. To remedy check the air supply and follow instructions in chapter 3.
  - b) Grit or gum deposits in the wrench may also reduce performance. If your model has an air strainer (located in the area of the air inlet), remove the strainer and clean it. Flush the wrench out with gum solvent oil or an equal mixture of SAE No 10 oil and paraffin. Allow to dry before use.
- 5.4. For a full service contact your local Sealey service agent.
- 5.5. When not in use, disconnect from air supply, clean wrench and store in a safe, dry, childproof location.

fig 2



### Declaration of Conformity



We, the sole importer into the UK, declare that the product listed here is in conformity with the following EEC standards and directives. The construction files for these products are held by the Manufacturer and may be inspected, by a national authority, upon request to Jack Sealey Ltd.

**Air Impact Wrench  
Model: SA299**

98/37/EC Machinery Directive  
93/68/EEC Marking Directive

Signed by Mark Sweetman

31st July 2002

For Jack Sealey Ltd. Sole importer into the UK  
of Sealey Power Tools.

**SEALEY POWER TOOLS**

Sole UK Distributor, Sealey Group, Bury St. Edmunds, Suffolk.

01284 757500

01284 703534

E-mail: [sales@sealey.co.uk](mailto:sales@sealey.co.uk)  
Web: [www.sealey.co.uk](http://www.sealey.co.uk)