



INSTRUCTIONS FOR:

AIR FILTER/REGULATOR/LUBRICATOR UNITS

Models: **SA2001, SA2001/F, SA2001/FR, SA2001/L**

Thank you for purchasing a Sealey product. Manufactured to a high standard this product will, if used according to these instructions and properly maintained, give you years of trouble free performance.

⚠ IMPORTANT: PLEASE READ THESE INSTRUCTIONS CAREFULLY. NOTE THE SAFE OPERATIONAL REQUIREMENTS, WARNINGS & CAUTIONS. USE THE PRODUCT CORRECTLY AND WITH CARE FOR THE PURPOSE FOR WHICH IT IS INTENDED. FAILURE TO DO SO MAY CAUSE DAMAGE AND/OR PERSONAL INJURY AND WILL INVALIDATE THE WARRANTY. PLEASE KEEP INSTRUCTIONS SAFE FOR FUTURE USE.

1. SAFETY INSTRUCTIONS

- p **WARNING!** Ensure Health & Safety, local authority, and general workshop practice regulations are adhered to when using this equipment.
- p **WARNING!** Disconnect the equipment from the air supply before changing accessories, servicing or performing any maintenance.
- 3 Keep the equipment clean and maintain it in good condition (use an authorised service agent).
- 3 Replace or repair damaged parts. Use genuine parts only. Unauthorised parts may be dangerous and will invalidate the warranty.
- p **WARNING!** Ensure that the correct air pressure is maintained and not exceeded.
- 3 Keep air hose away from heat, oil and sharp edges. Check air hoses for wear before each use and ensure that all connections are secure.
- 7 DO NOT install in direct sunlight or near any other heat source.
- 7 DO NOT direct air from the air hose at yourself, others or animals.
- 3 Drain the air tank daily. Water in the air line will damage equipment.
- 3 When work is complete ensure that the air supply is turned off.
- 3 If in any doubt about correct installation of this equipment consult an experienced engineer.

2. INTRODUCTION & SPECIFICATIONS

The SA2001 series filter, regulator and lubricator are designed to provide clean, filtered air (filter), easy and reliable pressure control (regulator) and automatic mist lubrication for tools (lubricator). Filter and lubricator have polycarbonate bowls protected by bowl guards.

Regulator (SA2001, SA2001/FR)

Max. inlet pressure150psi (10.3 bar)
 Max. outlet pressure125psi (8.6 bar)
 Max. air flow28cfm
 Ports
 Inlet1/2" BSP
 Outlet1/2" BSP
 Gauge2 x 1/4" NPT

Lubricator (SA2001, SA2001/L)

Max. inlet pressure150psi (10.3 bar)
 Max. air flow28cfm
 Ports
 Inlet1/2" BSP
 Outlet1/2" BSP
 LubricantSealey Air Tool Oil - ATO/500 or ATO/1000

Filter (SA2001, SA2001/F)

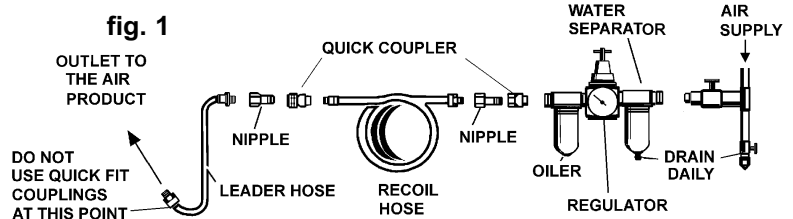
Max. inlet pressure150psi (10.3 bar)
 Max. air flow28cfm
 Ports
 Inlet1/2" BSP
 Outlet1/2" BSP
 Filter50 micron
 DrainAutomatic

WARNING! Filter and lubricator bowls are manufactured from polycarbonate and must not be used at temperatures over 140°F (60°C) or for pressures over 150psi (10.3 bar). Polycarbonate can be damaged and may fail if exposed to, internally or externally, certain solvents, strong alkalis, compressor oils containing aromatic hydrocarbons or fire retardant oils, or the fumes of any of these. Clean with warm water only.

3. CONTENT & INSTALLATION

- 3.1. Confirm that all items are present and undamaged. If any parts are missing or damaged please contact the supplier.
 - SA2001** - Filter/regulator/lubricator/mounting bracket assembly, gauge and 2 fittings (1/2"-1/4" BSP).
 - SA2001/FR** - Filter/regulator, gauge, mounting bracket and 2 fittings (1/2"-1/4" BSP).
 - SA2001/F** - Filter, mounting bracket and 2 fittings (1/2"-1/4" BSP).
 - SA2001/L** - Lubricator, mounting bracket and 2 fittings (1/2"-1/4" BSP).
- 3.2. Fig.1 shows a typical air line installation. The filter is located upstream of the regulator - unless combined, as in SA2001/FR - and the lubricator downstream.
- 3.2.1. Filter/Regulator & Filter/Regulator/Lubricator - Install using the bracket provided. Before connecting system piping ensure that gauge is visible, unused gauge port is sealed with plug provided and that flow direction arrows match system air flow.
- 3.2.2. Filter and Lubricator - Install into air piping or connect directly to bracket mounted regulator. Always check that flow arrows are correct and that filter is upstream, and lubricator downstream, of the regulator.

Note: To ensure air-tight joints use PTFE tape.



4. OPERATION

4.1. Regulator - The output pressure is controlled by the knob. Before pressurising air system for the first time lift and rotate knob anticlockwise to remove any loading on the regulator spring. Pressurise the system and then rotate knob clockwise to set required output pressure, as shown on gauge. When the required pressure is achieved lock knob by pushing down.

Note: For correct pressure setting always adjust upwards from a lower pressure. Therefore to reset from 90 to 70psi, for example, reduce pressure from 90 to 60psi and then increase from 60 to 70psi.

4.2. Filter - The bowl will automatically drain each time the system pressure drops to zero. However, if the fluid level reaches the maximum mark but the system is to remain pressurised the bowl can be manually drained by pushing the drain stub upward. Note that the stub is designed to take a flexible tube so that the waste fluid can be piped away.

4.3. Lubricator - Remove filler plug (fig.2.A) and fill bowl with air tool oil. This can be done with air line pressurised.
With air flowing through the lubricator the oil delivery rate can be adjusted by screw 'B' whilst watching the drip rate through the sight dome 'C'. The oil delivery rate will be automatically increased or decreased in line with the air flow.

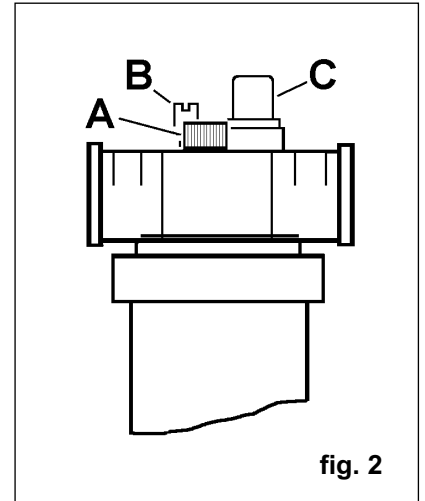


fig. 2

5. ADDITIONAL FITTINGS

The following fittings are available from your local Sealey supplier:

SA1/1414 1/4" BSP-1/4" BSP male-male nipple
SA1/1212 1/2" BSP-1/2" BSP male-male nipple

SA1/3814F 3/8" BSP-1/4" BSP male-female reducer
SA1/1214F 1/2" BSP-1/4" BSP male-female reducer
SA1/1238F 1/2" BSP-3/8" BSP male-female reducer

6. DECLARATION OF CONFORMITY

Declaration of Conformity We, the sole importer into the UK, declare that the products listed here are in conformity with the following standards and directives.

**Filter/Regulator/Lubricator,
Filter/Regulator, Filter & Lubricator.
Models: SA2001, SA2001/FR, SA2001/F
& SA2001/L**

97/23/EC Pressure Equipment Directive
98/37/EC Machinery Directive



The construction files for these products are held by the Manufacturer and may be inspected, by a national authority, upon request to Jack Sealey Ltd.

Signed by Mark Sweetman

Date 19th October 2001

For Jack Sealey Ltd. Sole importer into the UK of Sealey Power Products.

NOTE: It is our policy to continually improve products and as such we reserve the right to alter data, specifications and component parts without prior notice.

IMPORTANT: No liability is accepted for incorrect use of product.

WARRANTY: Guarantee is 12 months from purchase date, proof of which will be required for any claim.

INFORMATION: For a copy of our latest catalogue and promotions call us on 01284 757525 and leave your full name and address, including postcode.



Sole UK Distributor,
Sealey Group,
Bury St. Edmunds,
Suffolk.



01284 757500



01284 703534

E-mail: sales@sealey.co.uk