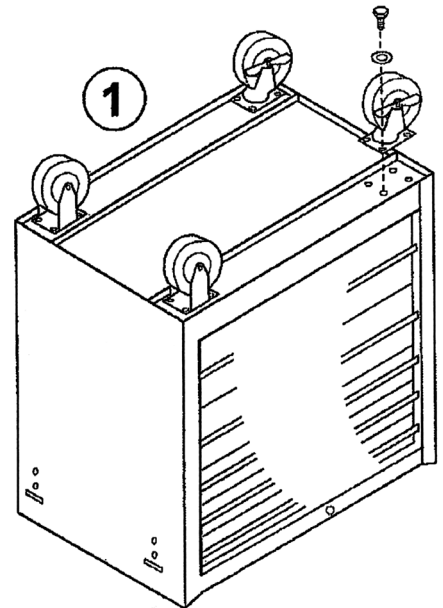


## 1. SAFETY

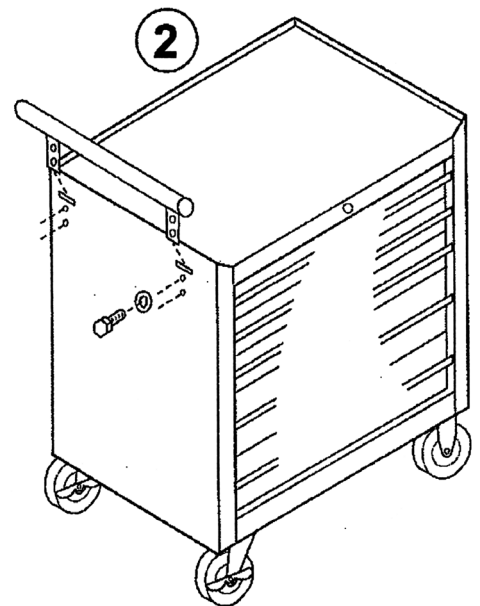
- X To avoid tipping, **DO NOT** open more than one drawer at a time.
- X **DO NOT** climb on the drawers or cabinet.
- ✓ Close and secure all drawers when moving.

## 2. ASSEMBLY

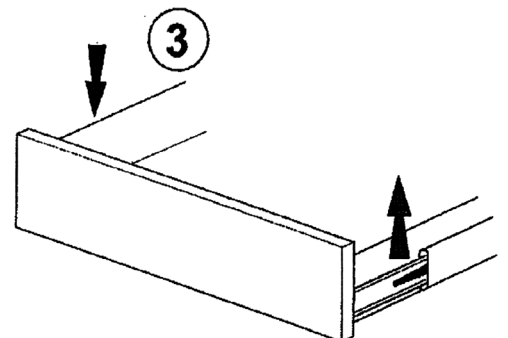
1. Attach the castors to the bottom of the trolley using 4 bolts per castor.  
NOTE: Swivel castors should be mounted at the same side as the handle (left hand side)



2. Insert the side mounted handle into the cabinet and attach with 4 bolts and washers.  
NOTE: The side handle should be mounted on the same side as the swivel castors (left hand side)



3. To remove a drawer with roller sliders, pull the drawer completely out, press down the left tab and lift up the right tab, pull drawer off the slides. To reinstall the drawer, realign with the internal drawer slide and push until it locks in place.



## 3. MAINTENANCE

Lubricate castors periodically and tighten all nuts and bolts.