



ROADSTART® 1200A 12V LITHIUM-ION JUMP STARTER POWER PACK

MODEL NO: **RS1200**

Thank you for purchasing a Sealey product. Manufactured to a high standard, this product will, if used according to these instructions, and properly maintained, give you years of trouble free performance.

IMPORTANT: PLEASE READ THESE INSTRUCTIONS CAREFULLY. NOTE THE SAFE OPERATIONAL REQUIREMENTS, WARNINGS & CAUTIONS. USE THE PRODUCT CORRECTLY AND WITH CARE FOR THE PURPOSE FOR WHICH IT IS INTENDED. FAILURE TO DO SO MAY CAUSE DAMAGE AND/OR PERSONAL INJURY AND WILL INVALIDATE THE WARRANTY. KEEP THESE INSTRUCTIONS SAFE FOR FUTURE USE.



Refer to instruction manual



Wear eye protection



Wear protective gloves



Warning: Electricity

1. SAFETY

Modern vehicles contain extensive electronic systems.

You are required to check with the vehicle Manufacturer, for any specific instructions regarding the use of this type of equipment on each vehicle. No liability will be accepted for damage / injury, where this product is not used in accordance with all instructions.

- ✓ Ensure that the vehicle is in a well ventilated area.
 - ✓ Apply the handbrake and select neutral or 'park' before attempting to start.
 - ✓ Ensure that the ignition switch and all ancillary electrical equipment is switched off.
 - ✓ Keep clear of any pulleys, belts etc. that will move once the engine starts.
 - ✓ Take care to ensure correct connection polarity; red clamp to positive, black clamp to negative.
 - ✓ Energise the unit only at ambient temperatures between -30°C and 40°C.
 - ✓ When not in use, switch off and store in a cool, dry place out of the reach of children.
 - ✗ **DO NOT** allow this power pack to become wet.
 - ✗ **DO NOT** dismantle this unit: there are no user serviceable parts inside.
 - ✗ **DO NOT** use in explosive atmospheres (e.g. the presence of flammable liquids, gases or dust).
 - ✗ **DO NOT** use the unit if it appears damaged in any way.
 - ✗ **DO NOT** use this product for any purpose other than that for which it is designed.
 - ✗ **DO NOT** leave in direct sunlight or expose to heat.
 - ✗ **DO NOT** use abrasive or solvent cleaners on this product.
 - ✗ **DO NOT** allow children to play with this product
 - ✗ **DO NOT** allow the positive and negative clamps to touch.
- 1.1. **BATTERY SAFETY**
- ☐ **WARNING!** To reduce the risk of burns or fire:
 - ✗ **DO NOT** attempt to open, disassemble, modify or service the battery pack.
 - ✗ **DO NOT** crush, puncture, short external contacts or dispose of in fire or water.
 - ✗ **DO NOT** expose to temperatures above 60°C (140°).
 - ✓ Replace only with the battery pack designated for this product.
 - ✓ Recycle or dispose of used battery as stipulated by local regulation.
 - ✗ If the electrolyte in the cells gets on your skin, thoroughly wash with soap and water. If it gets in your eyes, rinse thoroughly with cool water and seek immediate medical attention.

2. INTRODUCTION

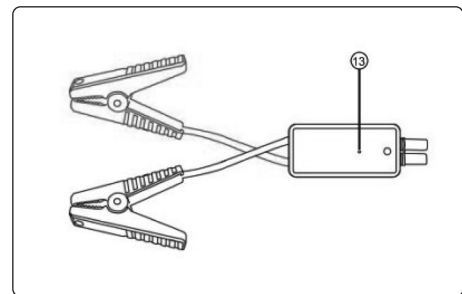
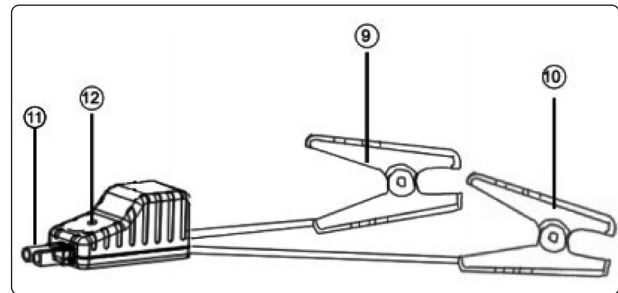
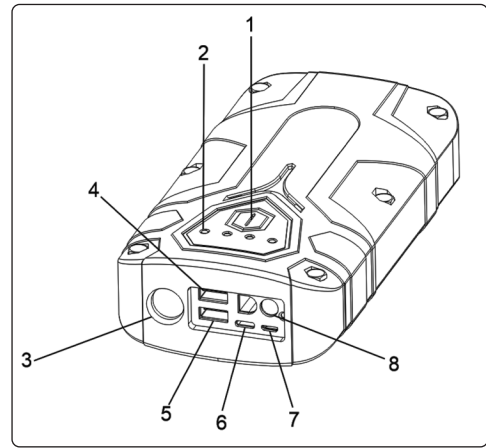
Easily fits in a glove box or backpack and benefits from being compact and lightweight. Powered by Lithium-ion technology and fully protected against short circuit, overload and reverse polarity. Fitted with a 16,000mAh Lithium-ion battery and two USB Type A outlets (5V/3A, 9V/2A, 12V/1.5A), Type C input & output leads (5V/3A, 9V/3A, 12V/2.5A, 20V/1.5A), this unit can also supply several full charges for smartphones and tablets/laptops. Capable of starting an average 8ltr petrol or 6ltr diesel engine. Integral LED flashlight. Waterproof to IP67 rating. Supplied in a sturdy hard-shell zip up case.

3. SPECIFICATION

Model no: RS1200
 Auxiliary Output:.....
 USB (x2) both - 5V/3A, 9V/2A, 12V/1.5A
 Type C - 5V/3A, 9V/3A, 12V/2.5A, 20V/1.5A
 Cable & Clamp Length: 385mm
 Capacity: 16Ah @ 3.7V or 4Ah @ 14.8V
 Maximum Current: 1200A Peak, 600A Cranking.
 Maximum Starting Capacity: 8L Petrol/6L Diesel
 Size (W x D x H): 100 x 45 x 185mm
 Voltage: 12V

4. OPERATION

Item no.	Description
1	On / Off Button
2	Charge Indicator LEDs
3	LED Torch / Flashlight
4	USB Output Port 1 (QC 3.0)
5	USB Output Port 2 (QC 3.0)
6	USB C Input & Output (PD30W)
7	Micro USB Input Port (Charging)
8	Jump Start Port
9	Negative (Black) Clamp
10	Positive (Red) Clamp
11	Jump Start Connector
12	Clamp Indicator Light
13	Force Start Button



4.1. CHARGING THE UNIT

NOTE: Ensure unit is fully charged before first use.

4.1.1. Connect unit to power source using the Micro USB cable or USB C cable.

4.1.2. Press On/Off button to turn on the unit. Charge indicator lights will flash while charging and fully lit once fully charged.

4.1.3. Unplug cable when fully charged.

4.2. CHARGING EXTERNAL DEVICES

4.2.1. Connect the unit to the external device via the USB cable.

4.2.2. Press On/Off button to turn on the unit.

4.2.3. Turn unit off and disconnect cable when external device is fully charged.

4.3. LED TORCH/FLASHLIGHT

4.3.1. Press and hold the On/Off button for approximately 3 seconds to turn the torch on constantly.

4.3.2. To cycle through settings, press once more for S.O.S. flash, once more for constant flash and once more for Off.

4.4. JUMP STARTING

NOTE: Before attempting to start your vehicle, ensure that at least 3 of the 4 Charge Indicator lights are lit.

NOTE: When the Jump Start Connector is connected to the unit, **DO NOT** allow the battery clamps to touch each other.

4.4.1. Insert Jump Start Connector into the unit and connect the battery clamps to the battery terminals.

4.4.2. The Clamp Indicator LED will flash red and green indicating it is safe to proceed.

NOTE: If only the red Clamp Indicator LED is lit, the Clamps may be connected in reverse. Reverse connections.

4.4.3. If the engine does not start, disconnect the Clamps, wait for 30 seconds and try again.

4.4.4. After 3 attempts, it is possible to use the Force Start function as described below.

4.4.5. Force Start method: Connect the clamps to the battery terminals and hold the Force Start Button down for 3 seconds. If the indicator light of the Clamp is solid green, you need to start the vehicle within 30 seconds.

4.4.6. Once started, remove the unit from the battery.

5. TROUBLESHOOTING

LED State	Status
The red/green light will flash	Ready to work
The red light is always on	1. Battery clamp is reverse connected. -Check whether the clamp is reverse connected. Correct if required. 2. The clamp is short-circuited. -Check whether two clamps are touching or connected to the same metal surface.
The red light is always on	Reverse charging protection, the voltage of the car battery is higher than 12.6V. -No jump starter needed, the car battery is enough to start your car.
The red light flashes quickly	The temperature of the clamp exceeds 65(+/-5) degrees. -Remove the clamp until the red/green light flashes.
The green light flashes slowly	The voltage of the jump starter is too low. -Recharge unit.

6. MAINTENANCE

6.1. After use and before performing cleaning, unplug and disconnect the unit.

6.2. Use a dry cloth to wipe all battery corrosion and other dirt or oil from the battery clamps, cords, and the outer case.



ENVIRONMENT PROTECTION

Recycle unwanted materials instead of disposing of them as waste. All tools, accessories and packaging should be sorted, taken to a recycling centre and disposed of in a manner which is compatible with the environment. When the product becomes completely unserviceable and requires disposal, drain any fluids (if applicable) into approved containers and dispose of the product and fluids according to local regulations.



WEEE REGULATIONS

Dispose of this product at the end of its working life in compliance with the EU Directive on Waste Electrical and Electronic Equipment (WEEE). When the product is no longer required, it must be disposed of in an environmentally protective way. Contact your local solid waste authority for recycling information.



BATTERY REMOVAL

Under the Waste Batteries and Accumulators Regulations 2009, Jack Sealey Ltd are required to inform potential purchasers of products containing batteries (as defined within these regulations), that they are registered with Valpak's registered compliance scheme. Jack Sealey Ltd's Batteries Producer Registration Number (BPRN) is BPRN00705.

Note: It is our policy to continually improve products and as such we reserve the right to alter data, specifications and component parts without prior notice.

Important: No Liability is accepted for incorrect use of this product.

Warranty: Guarantee is 12 months from purchase date, proof of which is required for any claim.



REGISTER YOUR PURCHASE HERE

Sealey Group, Kempson Way, Suffolk Business Park, Bury St Edmunds, Suffolk. IP32 7AR



01284 757500



01284 703534



sales@sealey.co.uk



www.sealey.co.uk