



# 1.5 TONNE ALUMINIUM/STEEL TROLLEY JACK WITH ROCKET LIFT

MODEL NO: **RJAS1500.V3**

Thank you for purchasing a Sealey product. Manufactured to a high standard, this product will, if used according to these instructions, and properly maintained, give you years of trouble free performance.

**IMPORTANT:** PLEASE READ THESE INSTRUCTIONS CAREFULLY. NOTE THE SAFE OPERATIONAL REQUIREMENTS, WARNINGS & CAUTIONS. USE THE PRODUCT CORRECTLY AND WITH CARE FOR THE PURPOSE FOR WHICH IT IS INTENDED. FAILURE TO DO SO MAY CAUSE DAMAGE AND/OR PERSONAL INJURY AND WILL INVALIDATE THE WARRANTY. KEEP THESE INSTRUCTIONS SAFE FOR FUTURE USE.



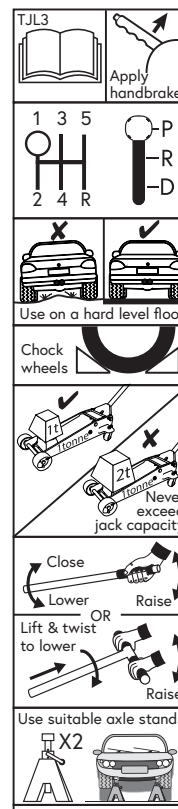
Refer to instructions



Wear safety footwear

## 1. SAFETY

- ✓ Ensure the jack is in sound condition and good working order. Take action for immediate repair or replacement of damaged parts. Use genuine parts only. The use of improper parts may be dangerous and will invalidate the warranty.
- ✓ Locate the jack in a suitable, well lit working area. Keep working area clean and tidy and free from unrelated materials.
- ✓ Use jack on level/solid ground, preferably concrete. Avoid tarmac as jack may sink in.
- ✓ Place chocks under wheels of vehicle, but ensure the jack wheels are free to move and that there are no obstructions.
- ✓ Ensure the vehicle handbrake is engaged, engine is switched off and transmission is in gear (or "PARK" if automatic).
- ✓ Ensure minimum distance of 0.5m between vehicle and static objects such as doors, walls, etc., to allow for vehicle tilting.
- ✓ Ensure there are no passengers in the vehicle and that all non-essential persons keep a safe distance whilst the jack is in use. Place jack under lifting points recommended by vehicle manufacturer (see vehicle hand book). Ensure lifting point is stable and centred on saddle.
- ▲ **DANGER:** Use the jack for lifting only, **NOT** for supporting the lifted load.
- ✓ Use suitable capacity axle stands under the vehicle before proceeding with any task.
- ✓ Ensure there are no persons or obstructions beneath the vehicle before lowering.
- ✗ **DO NOT** operate the jack if damaged.
- ✗ **DO NOT** work under the vehicle until axle stands have been correctly positioned.
- ✗ **DO NOT** exceed the rated capacity of the jack (1.5tonne). When lifting a load of maximum capacity or close to it, it is recommended that the effort be reduced by the use of assistance during this operation.
- ✗ **DO NOT** adjust the safety overload valve.
- ✗ **DO NOT** jack vehicle if there is a risk of spillage of fuel, battery acid, or other dangerous substances.
- ✗ **DO NOT** allow the vehicle to move while supported by the jack, or use the jack to move the vehicle.
- ✗ **DO NOT** top up hydraulic system with brake fluid. Use hydraulic jack oil only and use a qualified person to maintain jack hydraulic system.
- ✗ **DO NOT** allow untrained persons to operate the jack.
- ✗ **DO NOT** use jack for purposes other than which it is designed.
- ✗ **DO NOT** allow persons to ride on the jack.
- ✓ When not in use store jack, fully lowered, in a safe, dry, childproof area.



## 2. INTRODUCTION

Made primarily for the motor racing enthusiast, this jack weighs in at just 14.74kg. Mix of steel and aluminium not only makes this jack lightweight but incredibly strong. Large saddle with jacking pad. Rocket Lift with twin piston design enables saddle to be brought up to jacking point with minimal pumps. Features a lifting bar for fast, lightweight pick-up.

## 3. SPECIFICATION

Model No: .....RJAS1500.V3  
 Capacity: ..... 1.5tonne  
 Length: ..... 553mm  
 Maximum Chassis Height: ..... 134mm  
 Maximum Saddle Height: ..... 360mm  
 Minimum Saddle Height: ..... 90mm  
 Replacement Rubber Jack Pad..... JP11

## 4. SET-UP

### 4.1. ADDING HYDRAULIC FLUID

- 4.1.1. Remove the Fill Screw. **DO NOT** remove or loosen Safety Valve Cover Screws.
  - 4.1.2. Add high grade hydraulic fluid (sold separately) slowly until the fluid reaches 1/4" (6.5mm) below the top of the Fill Port. (Fig.2).
- NOTE:** **DO NOT** touch the Handle when adding hydraulic fluid.
- 4.1.3. Replace Fill Screw.

## 4.2. BLEEDING

**NOTE:** BEFORE EACH USE OR IF JACK PERFORMANCE DECREASES, check for excessive air and proper hydraulic fluid level in Jack. If Jack appears not to be working properly, it may be necessary to purge its hydraulic system of excessive air as follows:

- 4.2.1. Loosen the Fill Screw.
- 4.2.2. Twist the Handle counter-clockwise to open the Valve.
- 4.2.3. Check fluid level and, if necessary, top off according to Adding Hydraulic Fluid below.
- 4.2.4. Twist the Handle clockwise to close the Valve, then pump the Handle quickly several times.
- 4.2.5. Replace Fill Screw.
  - **IMPORTANT:** After bleeding the Jack, test the Jack for proper operation prior to its actual use.
- 4.2.6. If, after bleeding, the Jack does not appear to be working properly, **DO NOT** use it until repaired by a qualified service technician.

## 5. OPERATION

### 5.1. ATTACHING THE HANDLE

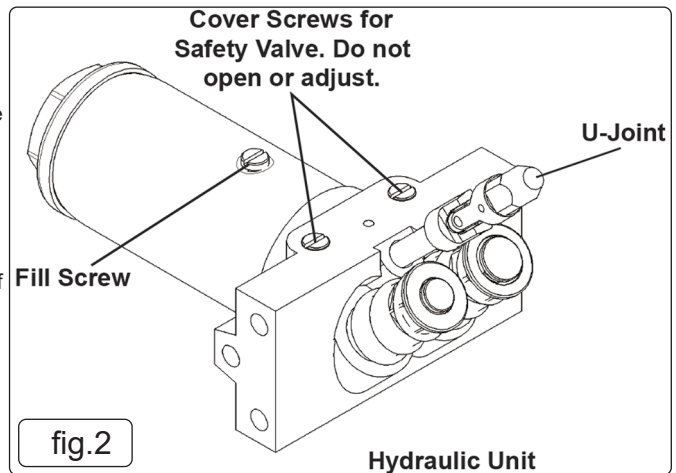
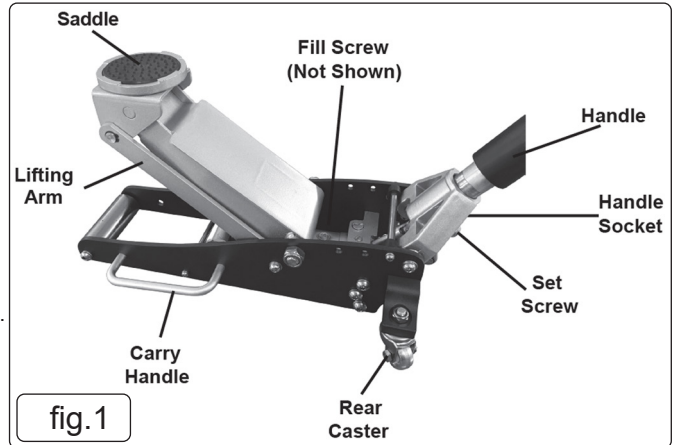
- 5.1.1. Attach the upper handle to the lower handle.
- 5.1.2. Loosen the set screw and insert the assembled handle into the handle socket.
- 5.1.3. Tighten the set screw.

### 5.2. LIFTING

- 5.2.1. Park vehicle on a flat, level, solid, surface safely away from oncoming traffic. Turn off the vehicle's engine. Place the vehicle's transmission in "PARK" (if automatic) or in its lowest gear (if manual). Set the vehicle's emergency brake. Then chock the wheels that are not being lifted.
- 5.2.2. Slowly twist the Handle counter-clockwise to lower the Jack. Once the Jack is fully lowered, twist the Handle firmly clockwise.
- 5.2.3. Carefully position the Jack's Saddle under the vehicle manufacturer's recommended lifting point. (See vehicle manufacturer's owner's manual for location of frame lifting point.)
- 5.2.4. Pump the Handle until the top of the Saddle has nearly reached the vehicle's lifting point. Position the Saddle directly under the vehicle's lifting point.
- 5.2.5. To lift the vehicle, pump the Handle. Use smooth, full strokes.
- 5.2.6. Select matching jack stands (sold separately) of appropriate capacity. Set the jack stands to the same height according to the manufacturer's instructions, making sure they lock securely into position.
- 5.2.7. Position the jack stands' saddles under the vehicle manufacturer's recommended support points.
  - **WARNING!** Ensure that the vehicle support points are fully seated in the saddles of both jack stands. Use a matched pair of jack stands per vehicle to support one end only.
- 5.2.8. Slowly twist the Handle counter-clockwise to lower the vehicle onto the jack stands' saddles.
- 5.2.9. Once the vehicle is fully seated on the jack stands, continue slowly lowering the Jack until it is completely lowered.
- 5.2.10. Remove the Jack and store safely out of the way.

### 5.3. LOWERING

- 5.3.1. Carefully remove all tools, parts, etc., from under the vehicle.
- 5.3.2. Position the Jack's Saddle under the lifting point. Turn the Handle firmly clockwise and raise vehicle high enough to clear the jack stands.
- 5.3.3. Carefully remove the jack stands.
- 5.3.4. Slowly turn the Handle counter-clockwise to lower the vehicle onto the ground.
- 5.3.5. Lower the Jack completely. Store the Jack indoors out of children's reach.



## 6. MAINTENANCE

- **WARNING:** TO PREVENT SERIOUS INJURY FROM TOOL FAILURE: **DO NOT** use damaged equipment. If abnormal noise or vibration occurs, have the problem corrected before further use.
- 6.1. Before each use, inspect the general condition of the Jack. Check for:
    - Loose hardware,
    - Misalignment or binding of moving parts,
    - Cracked or broken parts,
    - Any condition that may affect its safe operation.
  - 6.2. Before each use, thoroughly test the Jack for proper operation prior to its actual use. If the Jack appears not to be working properly, follow Bleeding instructions in Section 4.
  - 6.3. At least once every three years, change the hydraulic fluid:
    - A. With the Jack fully lowered, remove the Fill Screw.
    - B. Tip the Jack over to allow the old hydraulic fluid to drain out completely. Dispose of the old hydraulic fluid in accordance with local regulations.
    - C. With the Jack upright, completely fill the Hydraulic Unit with high grade hydraulic fluid until the fluid is 1/4" below the top of the Fill Port.
    - D. Turn the Handle counter-clockwise to open the Release Valve.
    - E. Pump the Handle up and down quickly several times to purge air from the system.

- F. Recheck fluid level and re-fill as needed.
- G. Replace the Fill Screw.
- 6.4. After each use, wipe with a clean cloth. Store the Jack indoors out of children's reach.

## 7. TROUBLESHOOTING

- ❑ **WARNING: TO PREVENT SERIOUS INJURY:** Use caution when troubleshooting a malfunctioning jack. Stay well clear of the supported load. Completely resolve all problems before use. If the solutions presented in the Troubleshooting guide **DO NOT** solve the problem, have a qualified technician inspect and repair the jack before use.

- 7.1. After the jack is repaired: Test it carefully without a load by raising and lowering it fully, checking for proper operation, **BEFORE RETURNING THE JACK TO OPERATION.**

POSSIBLE SYMPTOMS						Potential Solution (Make certain that the Jack is not supporting a load while attempting a solution.)
Jack will not lift at its weight capacity	Saddle lowers under load	Pump stroke feels spongy	Saddle will not lift all the way	Handle moves up when jack is under load	Fluid leaking from fill plug	
<b>X</b>	<b>X</b>					Check that Release Valve is fully closed. Jack may require bleeding - see instructions in section 4.
<b>X</b>	<b>X</b>			<b>X</b>		Valves may be blocked and may not close fully. To flush the valves: 1. Lower the Saddle and securely close the Release Valve. 2. Manually lift the saddle several inches. 3. Open the release valve by turning the Handle counter-clockwise and force the saddle down as quickly as possible.
<b>X</b>		<b>X</b>	<b>X</b>			Jack may be low on hydraulic fluid. Check fluid level and refill if needed - see instructions in section 4. Jack may require bleeding - see instructions in section 4.
					<b>X</b>	Unit may have too much hydraulic fluid inside. Check fluid level and adjust if needed - see instructions in section 4.



### ENVIRONMENT PROTECTION

Recycle unwanted materials instead of disposing of them as waste. All tools, accessories and packaging should be sorted, taken to a recycling centre and disposed of in a manner which is compatible with the environment. When the product becomes completely unserviceable and requires disposal, drain any fluids (if applicable) into approved containers and dispose of the product and fluids according to local regulations.

**Note:** It is our policy to continually improve products and as such we reserve the right to alter data, specifications and component parts without prior notice.

**Important:** No Liability is accepted for incorrect use of this product.

**Warranty:** Guarantee is 12 months from purchase date, proof of which is required for any claim.

Sealey Group, Kempson Way, Suffolk Business Park, Bury St Edmunds, Suffolk. IP32 7AR



01284 757500



01284 703534



sales@sealey.co.uk



www.sealey.co.uk