

SEALEY

2.5 TONNE ALUMINIUM LOW PROFILE TROLLEY JACK WITH ROCKET LIFT

MODEL NO: **RJA2500.V4**

Thank you for purchasing a Sealey product. Manufactured to a high standard, this product will, if used according to these instructions, and properly maintained, give you years of trouble free performance.

IMPORTANT: PLEASE READ THESE INSTRUCTIONS CAREFULLY. NOTE THE SAFE OPERATIONAL REQUIREMENTS, WARNINGS & CAUTIONS. USE THE PRODUCT CORRECTLY AND WITH CARE FOR THE PURPOSE FOR WHICH IT IS INTENDED. FAILURE TO DO SO MAY CAUSE DAMAGE AND/OR PERSONAL INJURY AND WILL INVALIDATE THE WARRANTY. KEEP THESE INSTRUCTIONS SAFE FOR FUTURE USE.



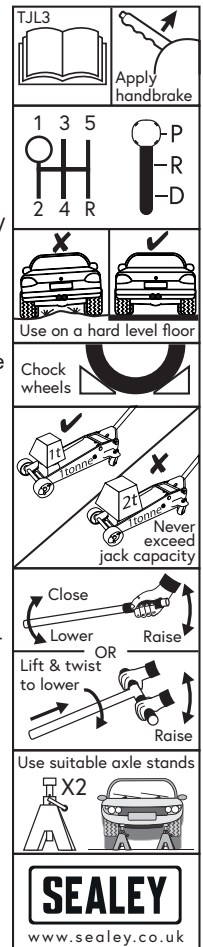
Refer to instruction manual



Wear safety footwear

1. SAFETY

- ✓ The user shall work only in accordance with this instruction manual.
- ✓ The operator shall be provided with all necessary information about training and about pumping and translating forces.
- ✓ Ensure the jack is in sound condition and good working order. Take action for immediate repair or replacement of damaged parts. Use genuine parts only. **DO NOT** modify the jack. The use of non-genuine parts may be dangerous and will invalidate the warranty.
- ✓ Locate the jack in a suitable, well lit working area.
- ✓ Keep working area clean and tidy and free from unrelated materials. Use jack on level and solid ground, preferably concrete. Avoid tarmac as jack may sink in.
- ✓ Chock wheels of vehicle.
- ✓ Ensure the vehicle handbrake is engaged, engine is switched off and transmission is in gear (or "PARK" if automatic).
- ✓ Ensure minimum distance of 0.5m between vehicle and static objects such as doors, walls, etc. to allow for vehicle tilting.
- ✓ Ensure all non-essential persons keep a safe distance whilst the jack is in use.
- ✓ Ensure there are no passengers in the vehicle.
- ✓ It is necessary that the operator can watch the lifting device and the load during all movements.
- ✓ Place jack under only those lifting points recommended by vehicle manufacturer (see vehicle handbook).
- ✓ Check that the lifting point is stable and centred on the jack saddle.
- ✓ Ensure the jack wheels are free to move and that there are no obstructions.
- ▲ **DANGER:** Use the jack for lifting only, **NOT** for supporting the lifted load.
- ✓ Ensure there are no persons or obstructions beneath the vehicle before lowering.
- ✓ It is not allowed to work under the raised load until it is secured by suitable means. Use suitable axle stands under the vehicle before proceeding with any task.
- ✓ Use a qualified person to lubricate and maintain the jack.
- ✓ Ensure that only hydraulic jack oil is used in the jack.
- ✗ **DO NOT** operate the jack if damaged.
- ✗ **DO NOT** allow untrained persons to operate the jack.
- ✗ **DO NOT** operate the jack when tired or under the influence of drugs, alcohol or intoxicating medication.
- ✗ **DO NOT** exceed the rated capacity of the jack.
- ✗ **DO NOT** allow the vehicle to move during lifting or lowering, or use the jack to move the vehicle.
- ✗ **DO NOT** jack vehicle if there is a risk of spillage of fuel, battery acid, or other dangerous substances.
- ✗ **DO NOT** work under the vehicle until appropriately rated axle stands have been correctly positioned.
- ✗ **DO NOT** use the jack for purposes other than that for which it is intended.
- ✗ **DO NOT** top up hydraulic system with brake fluid. Use hydraulic jack oil only. (Sealey Part No: HJO500MLS or HJO5LS)
- ✗ **DO NOT** adjust the safety overload valve.
- ✓ When not in use store jack, fully lowered, in a safe, dry, childproof area.
- ✓ If more than 400N of effort is generated in lifting, the efforts shall be lowered by an additional person.



2. INTRODUCTION

Made primarily for the motor racing enthusiast, this jack weighs in at just 26kg. Utilises many weight saving techniques such as a skeletal lift arm. Features Rocket Lift by use of twin pistons, bringing saddle to maximum height in minimal pumps. Polyurethane wheels for smooth and quiet manoeuvring, which also limits damage to garage floors. Lifting bars are fitted either side of the anodised aluminium chassis enabling fast, lightweight pick-up.

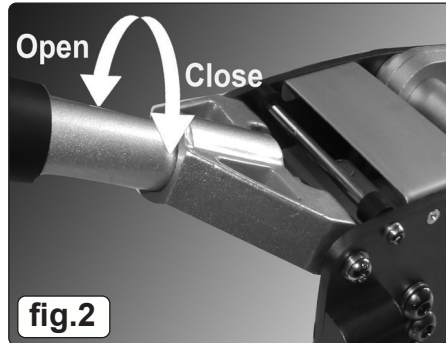
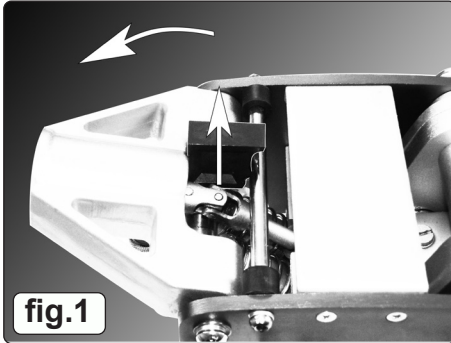
3. SPECIFICATION

Model No:..... **RJA2500.V4**
Applicable Standards: EN1494
Capacity: 2.5 Tonne
Consumable Parts: Replacement Rubber Jack Pad - JP15
Length: 710mm

Maximum Chassis Height: 160mm
Maximum Saddle Height: 480mm
Minimum Saddle Height: 95mm

4. ASSEMBLY

- 4.1. Remove the retaining wedge prior to assembling the jack handle. Press the handle socket downwards and pull out the wedge holding the pump yoke down (fig.1). Retain the wedge for future transportation.
- 4.2. Insert the upper handle into the lower handle. The locking ball will lock the two pieces together.
- 4.3. Loosen the handle retaining screw from the handle socket.
- 4.4. Insert the pump handle into the handle socket, fully engaging the universal joint of the release valve.
- 4.5. Ensure that the handle is correctly inserted into the socket, then tighten the handle retaining screw.
- 4.6. **PURGE HYDRAULIC SYSTEM numbers in brackets refer to attached Parts Diagram**
- 4.6.1. Open the release valve. Pump the handle several times, quickly. Push the edge of the oil filler plug (4) located on top of the hydraulic unit (1) to expel air.
- 4.6.2. Repeat if necessary.



5. OPERATION

- ❑ **WARNING!** Before use, ensure that you have read, understood and apply Section 1 safety instructions.
 - IMPORTANT:** Before use, the operator is to visually inspect the jack for cracked welds, damaged or missing parts or hydraulic leaks.
- 5.1. **RAISING A VEHICLE**
 - 5.1.1. Ensure that the jack and the vehicle are on a hard, level surface.
 - 5.1.2. Ensure the vehicle handbrake is engaged, engine is switched off and transmission is in gear (or "PARK" if automatic).
 - 5.1.3. Consult the vehicle manual to determine the location of the jacking points. Position the jack under a suitable jacking point.
 - 5.1.4. Turn the release valve clockwise to the closed position (fig.2). **DO NOT** over-tighten.
 - 5.1.5. Raise the vehicle to the desired height by pumping the handle up and down. Operator must watch the jack and the load during all movements.
 - 5.1.6. Place axle stands beneath the locations recommended by the vehicle manufacturer.
 - 5.1.7. Turn the release valve slowly counter-clockwise to lower the vehicle on to the axle stands.
 - 5.2. **LOWERING A VEHICLE**
 - 5.2.1. Turn the release valve clockwise to the closed position.
 - 5.2.2. Pump the handle to raise the vehicle off the axle stands.
 - 5.2.3. Remove the axle stands from beneath the vehicle.
 - 5.2.4. Turn the release valve slowly counter-clockwise to lower the vehicle to the ground in a controlled manner.
- NOTE: When not in use, ALWAYS leave the saddle and ram fully retracted.**

6. MAINTENANCE

- ✓ Jacks shall be maintained and repaired in accordance with the manufacturer's instructions. Such maintenance and repair shall be carried out by qualified persons.
 - ✓ No modifications shall be carried out which adversely affect the compliance of the jack with the standard.
 - ✓ Check the state of the markings and that the marking remain as the initial one.
- IMPORTANT: Only fully qualified personnel should attempt maintenance or repair.**
- 6.1. **MONTHLY MAINTENANCE**
 - 6.1.1. Lubrication is critical to jacks, since they support heavy loads. Any restriction due to dirt or rust can cause either slow jack movement, or extremely rapid jerks, causing damage to the internal components. To keep the jack well lubricated, carry out the following steps:
 - 6.1.2. Lubricate the ram, the linkages and the saddle and pump mechanism with light oil.
 - 6.1.3. Grease the wheel bearings and axles.
 - 6.1.4. Lubricate the castors with light oil.
 - 6.1.5. Keep all jack surfaces and warning labels clean.
 - 6.1.6. Check and maintain the ram oil level (Section 6.3).
 - 6.2. **THREE MONTHLY MAINTENANCE**
 - 6.2.1. At three monthly intervals, check the ram for any signs of rust or corrosion. Clean the ram as required and wipe with an oiled cloth.
 - 6.3. **CHECKING OIL LEVEL**
 - 6.3.1. Fully retract the ram by turning the release valve counter-clockwise.
 - 6.3.2. With the jack in a level position, remove the oil filler plug, (4 on Parts Diagram).
 - 6.3.3. The oil should be level with the bottom of the oil filler hole. If it is not, top up with clean hydraulic jack oil. (Sealey Part No: HJO500MLS or HJO5LS)
 - 6.3.4. Replace the oil filler plug and check the jack operation.
 - 6.3.5. Purge air from the hydraulic unit as required. Refer to Section 4.6.
- NOTE:** Always store the jack in the fully lowered position. This will protect critical areas from excessive corrosion.
- IMPORTANT: NO RESPONSIBILITY IS ACCEPTED FOR INCORRECT USE OF THIS PRODUCT.**
- Owing to their size and weight, hydraulic products should ideally be repaired by local service agents. We have service / repair agents in most parts of the UK. Before returning your product please call our technical helpline on **01284 757505** for advice and trouble shooting guidance.

If the jack is under guarantee please contact your stockist.

Should the jack become completely unserviceable and require disposal, draw off the oil into an approved container, dispose of the jack and oil according to local regulations.

7. TROUBLESHOOTING

PROBLEM	CAUSE	REMEDY
Jack will not lift to full height	Oil level low	Check / top up oil level
Jack will not hold the load	Release valve not closing Hydraulic jack oil is contaminated Pump valves not sealing	Contact authorised service agent
Lift arm will not lower	Cylinder ram binding Parts worn Internal component damage Broken or unhooked return spring Lift arm linkage either bent or binding	Contact authorised service agent
Jack feels spongy when lifting	System requires purging	Refer to air purge procedure in Section 4.6



ENVIRONMENT PROTECTION

Recycle unwanted materials instead of disposing of them as waste. All tools, accessories and packaging should be sorted, taken to a recycling centre and disposed of in a manner which is compatible with the environment. When the product becomes completely unserviceable and requires disposal, drain any fluids (if applicable) into approved containers and dispose of the product and fluids according to local regulations.



REGISTER YOUR PURCHASE HERE

Note: It is our policy to continually improve products and as such we reserve the right to alter data, specifications and component parts without prior notice. Please note that other versions of this product are available. If you require documentation for alternative versions, please email or call our technical team on technical@sealey.co.uk or 01284 757505.

Important: No Liability is accepted for incorrect use of this product.

Warranty: Guarantee is 36 months from purchase date, proof of which is required for any claim.

Sealey Group, Kempson Way, Suffolk Business Park, Bury St Edmunds, Suffolk. IP32 7AR



01284 757500



sales@sealey.co.uk



www.sealey.co.uk