

SEALEY

1.5 TONNE ALUMINIUM LOW ENTRY TROLLEY JACK WITH ROCKET LIFT

MODEL NO: **RJA1550.V3**

Thank you for purchasing a Sealey product. Manufactured to a high standard, this product will, if used according to these instructions, and properly maintained, give you years of trouble free performance.

IMPORTANT: PLEASE READ THESE INSTRUCTIONS CAREFULLY. NOTE THE SAFE OPERATIONAL REQUIREMENTS, WARNINGS & CAUTIONS. USE THE PRODUCT CORRECTLY AND WITH CARE FOR THE PURPOSE FOR WHICH IT IS INTENDED. FAILURE TO DO SO MAY CAUSE DAMAGE AND/OR PERSONAL INJURY AND WILL INVALIDATE THE WARRANTY. KEEP THESE INSTRUCTIONS SAFE FOR FUTURE USE.



Refer to instruction manual



Wear safety footwear

1. SAFETY

- ✓ Use jack only in accordance with this instruction manual.
- ✓ Ensure the jack is in sound condition and good working order. Take action for immediate repair or replacement of damaged parts. Use genuine parts only. **DO NOT** modify the jack.
The use of non-genuine parts may be dangerous and will invalidate the warranty.
- ✓ Locate the jack in a suitable, well lit working area.
- ✓ Keep working area clean and tidy and free from unrelated materials. Use jack on level and solid ground, preferably concrete. Avoid tarmac/adam as jack may sink in.
- ✓ Chock wheels of vehicle.
- ✓ Ensure the vehicle handbrake is engaged, engine is switched off and transmission is in gear (or "PARK" if automatic).
- ✓ Ensure minimum distance of 0.5m between vehicle and static objects such as doors, walls, etc. to allow for vehicle tilting.
- ✓ Ensure all non-essential persons keep a safe distance whilst the jack is in use.
- ✓ Ensure there are no passengers in the vehicle.
- ✓ The operator of the jack must watch the jack and the load during all movements.
- ✓ Place jack under only those lifting points recommended by vehicle manufacturer (see vehicle handbook).
- ✓ Check that the lifting point is stable and centred on the jack saddle.
- ✓ Ensure the jack wheels are free to move and that there are no obstructions.
- ▲ **DANGER:** Use the jack for lifting only, **NOT** for supporting the lifted load.
- ✓ Ensure there are no persons or obstructions beneath the vehicle before lowering.
- ✓ Use suitable axle stands under the vehicle before proceeding with any task.
- ✓ Use a qualified person to lubricate and maintain the jack.
- ✓ Ensure that only hydraulic jack oil is used in the jack.
- ✗ **DO NOT** operate the jack if damaged.
- ✗ **DO NOT** allow untrained persons to operate the jack.
- ✗ **DO NOT** operate the jack when tired or under the influence of drugs, alcohol or intoxicating medication.
- ✗ **DO NOT** exceed the rated capacity of the jack.
- ✗ **DO NOT** allow the vehicle to move during lifting or lowering, or use the jack to move the vehicle.
- ✗ **DO NOT** jack vehicle if there is a risk of spillage of fuel, battery acid, or other dangerous substances.
- ✗ **DO NOT** work under the vehicle until appropriately rated axle stands have been correctly positioned.
- ✗ **DO NOT** use the jack for purposes other than that for which it is intended.
- ✗ **DO NOT** top up hydraulic system with brake fluid. Use hydraulic jack oil only. (Sealey Part No: HJO500MLS or HJO5LS)
- ✗ **DO NOT** adjust the safety overload valve.
- ✓ When not in use store jack, fully lowered, in a safe, dry, childproof area.
- ✓ When lifting a load at the jack's max. rating, or close to it, it is recommended that the effort of raising the load shall be reduced by the use of assistance during this operation.

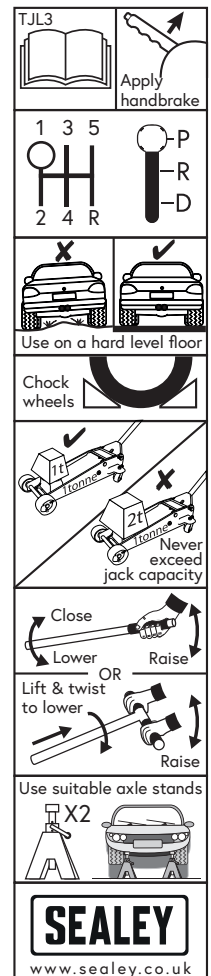
2. INTRODUCTION

Made primarily for the motor racing enthusiast, this jack weighs in at just 13.5kg. Utilises many weight saving techniques such as a skeletal lift arm and polyurethane wheels. Features Rocket Lift by use of twin pistons, bringing saddle up to jacking point with minimal pumps. Polyurethane wheels for smooth and quiet manoeuvring, which also limits damage to garage floors. Lifting bars are fitted either side of the anodised aluminium chassis enabling fast, lightweight pick-up.

3. SPECIFICATION

Model no RJA1550.V3
Applicable Standards: EN1494
Capacity: 1.5tonne
Consumable Parts:..... Replacement Rubber Jack Pad - JP11
Length: 558mm
Maximum Chassis Height: 130mm
Maximum Saddle Height: 358mm

Minimum Saddle Height: 90mm



4. ASSEMBLY

4.1. TRANSIT LOCK

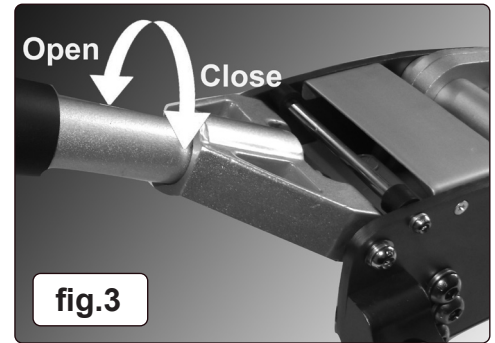
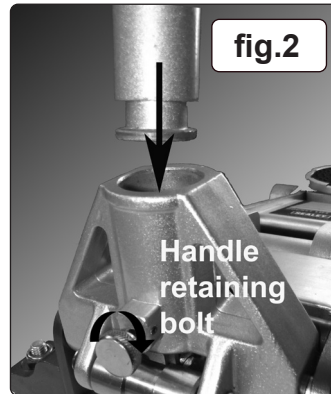
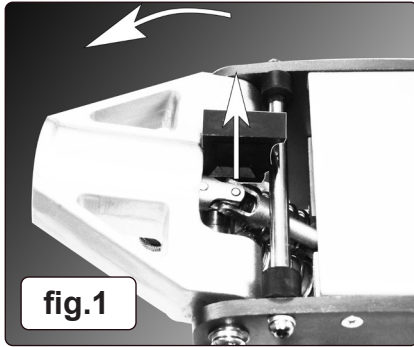
- 4.1.1. Before use, the transit lock (fig.1) needs to be removed. Apply pressure to the handle yoke and remove the lock from behind it. Keep the lock in case the jack needs to be transported in future.

4.2. HANDLE FITTING

- 4.2.1. Connect the two halves of the handle, ensuring that the ball in the top half engages in the hole in the lower half.
4.2.2. Loosen the handle retaining bolt (fig.2) and insert the handle into the yoke, ensuring that the square in the handle mates with the square in the yoke.
4.2.3. Tighten the handle retaining bolt to secure the handle; **DO NOT** over tighten.

4.3. PURGING

- 4.3.1. Before first use, purge the hydraulic system of air.
4.3.2. Open the release valve (fig.3) and pump the handle about 20 times.
4.3.3. Close the release valve; the pump should now feel firm. If not, repeat step 4.3.2.



5. OPERATION

- WARNING:** Before use ensure you have read, understood and apply Section 1 safety instructions.
IMPORTANT: Before use, the operator should visually inspect the jack for cracked welds, damaged or missing parts or hydraulic leaks.

5.1. RAISING A VEHICLE

- 5.1.1. Ensure that the jack and the vehicle are on a hard, level surface.
5.1.2. Ensure the vehicle handbrake is engaged, engine is switched off and transmission is in gear (or "PARK" if automatic).
5.1.3. Consult the vehicle manual to determine the location of jacking points.
5.1.4. Position the jack under a suitable lifting point.
5.1.5. Turn the handle clockwise, to the closed position (fig.3). **DO NOT** over-tighten.
5.1.6. Raise the vehicle to the desired height.
5.1.7. Place axle stands beneath the locations recommended by the vehicle manufacturer.
5.1.8. Turn the release valve anticlockwise slowly to lower the vehicle on to the axle stands.

5.2. LOWERING A VEHICLE

- WARNING:** Ensure that the area below the vehicle is clear before lowering.
- 5.2.1. Turn the release valve clockwise to the closed position.
5.2.2. Pump the handle to raise the vehicle off the axle stands.
5.2.3. Remove the axle stands from beneath the vehicle.
5.2.4. Turn the release valve slowly anticlockwise to lower the vehicle to the ground in a controlled manner.
NOTE: When not in use, always leave the saddle and ram fully retracted.

6. MAINTENANCE

IMPORTANT: Only fully qualified personnel should attempt maintenance or repair.

- 6.1. Check the condition of the markings. These must be maintained in their original condition.

6.2. MONTHLY MAINTENANCE

- 6.2.1. To keep the jack well lubricated, carry out the following steps:
6.2.1.1. Lubricate the ram, the linkages and the saddle and pump mechanism with light oil.
6.2.1.2. Grease the wheel bearings and axles.
6.2.1.3. Lubricate the castors with light oil.
6.2.1.4. Keep all jack surfaces and warning labels clean.
6.2.1.5. Check and maintain the ram oil level (see below).

6.3. THREE MONTHLY MAINTENANCE

- 6.3.1. At three monthly intervals, check the ram for any signs of rust or corrosion. Clean the ram as required and wipe with an oiled cloth.

6.4. CHECKING OIL LEVEL

- 6.4.1. Retract the ram fully by turning the release valve counter-clockwise.
6.4.2. With the jack level, remove the oil filler plug, located on the ram body underneath the top plate. Remove 4 screws to access. The oil should be level with the bottom of the oil filler hole. If it is not top up with clean hydraulic jack oil. (Sealey Part No: HJO500MLS or HJO5LS)
6.4.3. Replace the oil filler plug and check the jack operation. Refit top plate.
6.4.4. Purge air from the hydraulic unit as required. Refer to Section 4.3.

IMPORTANT: NO RESPONSIBILITY IS ACCEPTED FOR INCORRECT USE OF THIS PRODUCT.

Owing to their size and weight, hydraulic products should ideally be repaired by local service agents. We have service / repair agents in most parts of the UK. Before returning your product please call our technical helpline on **01284 757505** for advice and trouble shooting guidance.

If the jack is under guarantee please contact your stockist.

7. TROUBLESHOOTING

Problem	Cause	Remedy
Jack will not lift to full height	Oil level low	Check/top up oil level
Jack will not hold the load	Release valve not closed	Contact authorised service agent
	Hydraulic jack oil is contaminated	
	Pump valves not sealing	
Lift arm will not lower	Cylinder ram binding	Contact authorised service agent
	Parts worn	
	Internal component damage	
	Broken or unhooked return spring	
	Lift arm linkage either bent or binding	
Jack feels spongy when lifting	System requires purging	Refer to air purge procedure at section 4.3



ENVIRONMENT PROTECTION

Recycle unwanted materials instead of disposing of them as waste. All tools, accessories and packaging should be sorted, taken to a recycling centre and disposed of in a manner which is compatible with the environment. When the product becomes completely unserviceable and requires disposal, drain any fluids (if applicable) into approved containers and dispose of the product and fluids according to local regulations.



Note: It is our policy to continually improve products and as such we reserve the right to alter data, specifications and component parts without prior notice. Please note that other versions of this product are available. If you require documentation for alternative versions, please email or call our technical team on technical@sealey.co.uk or 01284 757505.

Important: No Liability is accepted for incorrect use of this product.

Warranty: Guarantee is 36 months from purchase date, proof of which is required for any claim.

Sealey Group, Kempson Way, Suffolk Business Park, Bury St Edmunds, Suffolk. IP32 7AR



01284 757500



sales@sealey.co.uk



www.sealey.co.uk