



2 TONNE ADJUSTABLE TRANSPORTACAR TROLLEY

MODEL NO: RE901

Thank you for purchasing a Sealey product. Manufactured to a high standard, this product will, if used according to these instructions, and properly maintained, give you years of trouble free performance.

IMPORTANT: PLEASE READ THESE INSTRUCTIONS CAREFULLY. NOTE THE SAFE OPERATIONAL REQUIREMENTS, WARNINGS & CAUTIONS. USE THE PRODUCT CORRECTLY AND WITH CARE FOR THE PURPOSE FOR WHICH IT IS INTENDED. FAILURE TO DO SO MAY CAUSE DAMAGE AND/OR PERSONAL INJURY AND WILL INVALIDATE THE WARRANTY. KEEP THESE INSTRUCTIONS SAFE FOR FUTURE USE.



Refer to instructions



Wear safety footwear

1. SAFETY

- ✓ Ensure the trolley is in sound condition and good working order. Take action for immediate repair or replacement of damaged parts. Use genuine parts only. The use of improper parts may be dangerous and will invalidate the warranty.
- ❑ **WARNING!** Prepare the vehicle ready for resting and moving on the trolley. Ensure the vehicle will not move, tip, fall etc once it has been seated on the trolley. Take any necessary precautions to protect persons, property and equipment when using this trolley.
- ✓ Locate the trolley in a suitable, well lit working area.
- ✓ Keep working area clean and tidy and free from unrelated materials.
- ✓ Use trolley on level and solid ground, preferably concrete. Avoid tarmac as trolley may sink in.
- ✓ Ensure the vehicle engine is switched off .
- ✓ Ensure there are no passengers in the vehicle.
- ✓ Ensure all non-essential persons keep a safe distance whilst the trolley is in use.
- ✓ Only place trolley under those lifting points recommended by vehicle manufacturer (see vehicle handbook).
- ✓ Check the lifting point is stable and correctly held in trolley supports.
- ✓ Ensure the trolley wheels are free to move and that there are no obstructions.
- ✓ Ensure you have a clear view and necessary assistance when transporting vehicle.
- ✓ Ensure there are no persons or obstructions beneath the vehicle before moving.
- ✓ When stationary, always lock the two brake wheels.
- ✗ **DO NOT** operate the trolley if damaged.
- ✗ **DO NOT** allow untrained persons to operate the trolley.
- ✗ **DO NOT** exceed the rated capacity of the trolley.
- ❑ **WARNING! DO NOT** use the trolley to hold and move a vehicle which is unstable.
- ✗ **DO NOT** allow the vehicle to move on the trolley.
- ✗ **DO NOT** move vehicle if there is a risk of spillage of fuel, battery acid, or other dangerous substances.
- ✗ **DO NOT** work under the vehicle unless supported by axle stands which have been correctly positioned.
- ✗ **DO NOT** ride on the trolley.
- ✗ **DO NOT** use the trolley without appropriate supports.
- ✗ **DO NOT** use the trolley for purposes other than which it is intended.
- ✓ When not in use store trolley in a safe, dry, childproof area.

2. INTRODUCTION

Heavy-duty steel frame suitable for supporting partly dismantled or badly damaged vehicles. Enables easy movement around bodyshop. The supports are interchangeable between V-crutches and sill clamps. Supports and clamps adjustable for height and overall width. Fitted with four Ø125mm nylon castors, two of which lock.

3. SPECIFICATIONS

Model No:..... **RE901**
 Capacity: 2 Tonne
 Closed Length:..... 600mm

Using with Crutches:
 Minimum Height: 250mm
 Maximum Height: 310mm

Using with Sill Clamps:
 Minimum Height: 330mm
 Maximum Height: 390mm

Minimum Width*: 1035mm
 Maximum Width*: 1430mm

*Widths measured between centres of jacking points

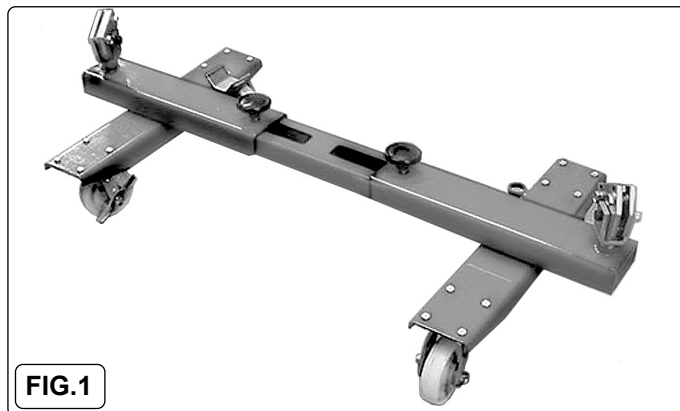
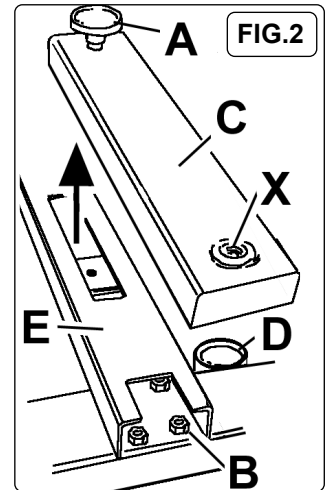


FIG.1

4. ASSEMBLY

- 4.1. Assemble four wheels with nuts, spring washer, washers, and bolts. Ensure that the two locking wheels are at the same end.
 - 4.2. Remove extension arm (fig1.C) from main beam undoing knob (A) and lifting arm off.
 - 4.3. Assemble main beam (C) to wheel frames by fixing with four bolts, spring washers, washers and nuts at each end (B).
 - 4.4. Check that all connections are tight and replace the extension arm (C) by screwing knob (A) into the holding plate set inside the frame of the main beam.
 - 4.5. Screw the appropriate supports into the end of the extension arm at point (X) and place the unused supports in their storage eyes (D).
- ❑ **WARNING!** Before use ensure Section 1 safety instructions are read and understood.
- 4.6. Check and prepare the vehicle as mentioned in the safety instructions ensuring the ground on which the trolley is to travel is level and solid (not tarmacadam).
 - 4.7. Position the trolley supports under the vehicle manufacturer's recommended lifting point. If using the sill clamps ensure they are correctly fitted and tightened. Check that the vehicle is secure and there are no persons or obstacles beneath the vehicle or in the path of transportation. Ensure the wheel brakes are unlocked and move the vehicle.
 - 4.8. When the trolley destination is reached, the trolley wheel brakes must be applied to stop further movement.
- ✖ **DO NOT** use trolley as a support stand for working on, or under, the vehicle. The trolley is designed for manoeuvring only.



5. MAINTENANCE

- 5.1. Before each use check for broken, cracked, bent, or loose parts, or any visible damage. If any suspect item is found remove trolley from service and take necessary action to remedy the problem.
- ✖ **DO NOT** use the trolley if believed to have been subjected to abnormal load or shock load.
- 5.2. Keep the trolley clean and periodically oil the wheel bearings.



ENVIRONMENT PROTECTION

Recycle unwanted materials instead of disposing of them as waste. All tools, accessories and packaging should be sorted, taken to a recycling centre and disposed of in a manner which is compatible with the environment. When the product becomes completely unserviceable and requires disposal, drain any fluids (if applicable) into approved containers and dispose of the product and fluids according to local regulations.



REGISTER YOUR PURCHASE HERE

Note: It is our policy to continually improve products and as such we reserve the right to alter data, specifications and component parts without prior notice.

Important: No Liability is accepted for incorrect use of this product.

Warranty: Guarantee is 12 months from purchase date, proof of which is required for any claim.

Sealey Group, Kempson Way, Suffolk Business Park, Bury St Edmunds, Suffolk. IP32 7AR



01284 757500



sales@sealey.co.uk



www.sealey.co.uk