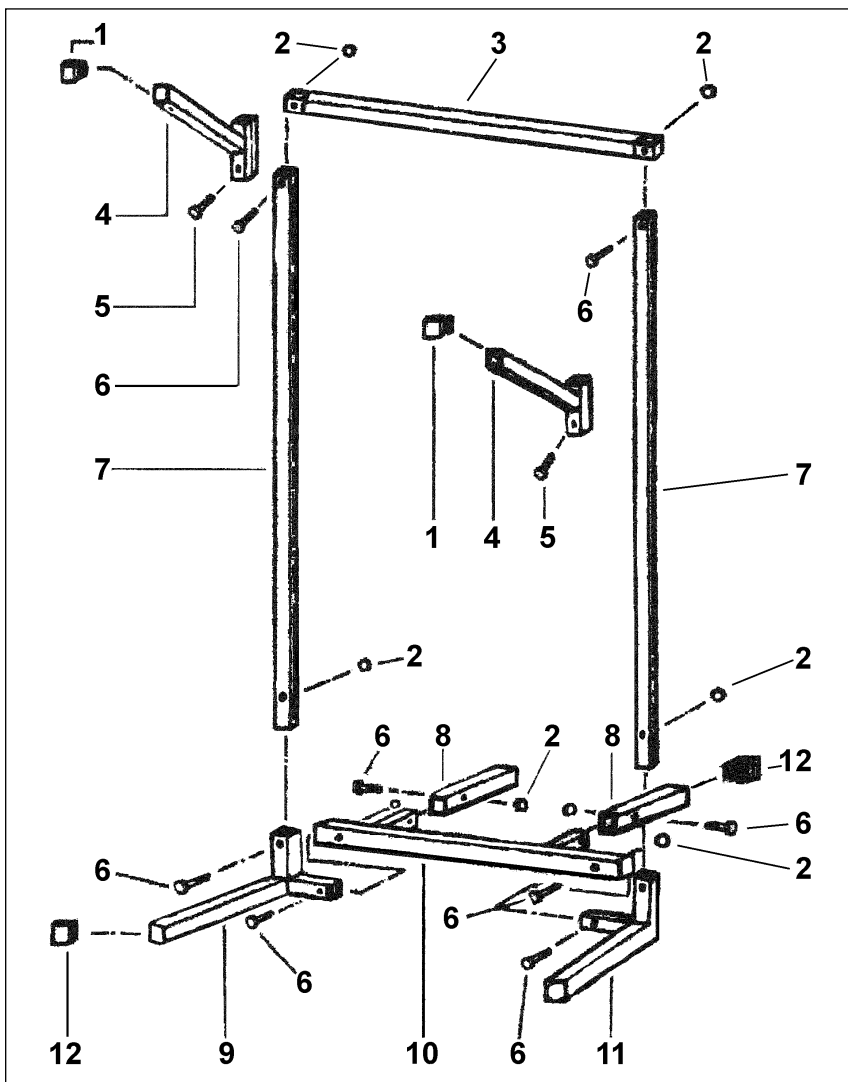


Thank you for purchasing a Sealey product. Manufactured to a high standard this product will, if used according to these instructions and properly maintained, give you years of trouble free performance.



IMPORTANT: PLEASE READ THESE INSTRUCTIONS CAREFULLY. NOTE THE SAFE OPERATIONAL REQUIREMENTS, WARNINGS AND CAUTIONS. USE THE PRODUCT CORRECTLY AND WITH CARE FOR THE PURPOSE FOR WHICH IT IS INTENDED. FAILURE TO DO SO MAY CAUSE DAMAGE AND/OR PERSONAL INJURY AND WILL INVALIDATE THE WARRANTY. PLEASE KEEP INSTRUCTIONS SAFE FOR FUTURE USE.



Item	Part No.	Description
1	184.C2002560	Plug
2	184.C0005016	Nut
3	184.A6511800	Upper Crossbar
4	184.A0512300	Support Arm
5	184.C0000622	Bolt
6	184.C0000117	Bolt
7	184.D4050600	Side Post
8	184.D0511000	Base Arm
9	184.A6511700	Left Base Arm
10	184.A0540700	Base
11	184.A6511900	Right Base Arm
12	184.C2002562	Plug

SAFETY INSTRUCTIONS

- ✓ Familiarise yourself with the application, limitations and potential hazards of the rack.
- ✓ Maintain the rack in good condition (use authorised replacement parts).
- ✓ Keep the rack clean for best and safest performance.
- ✓ Locate the rack in a suitable work area.
- ☐ **WARNING!** Use the rack on level and solid ground, preferably concrete.
- ✗ **DO NOT** overload the rack.
- ✗ **DO NOT** climb on the rack.
- ✓ Keep the work area clean, uncluttered and ensure that there is adequate lighting.
- ✓ Keep children and unauthorised persons away from the work area.
- ✗ **DO NOT** use the rack for any purpose other than for which it is designed.
- ✗ **DO NOT** use the rack if any parts are damaged or missing as this may cause failure and/or personal injury.

NOTE: It is our policy to continually improve products and as such we reserve the right to alter data, specifications and component parts without prior notice.

IMPORTANT: No liability is accepted for incorrect use of this product.

WARRANTY: Guarantee is 12 months from purchase date, proof of which will be required for any claim.

INFORMATION: For a copy of our latest catalogue and promotions call us on 01284 757525 and leave your full name and address, including postcode.

