



# INSTRUCTIONS FOR: ROOF BOX METALLIC GREY 460/500ltr MAX LOAD MODEL Nos: RB460A/ RB500A

Thank you for purchasing a Sealey product. Manufactured to a high standard this product will, if used according to these instructions and properly maintained, give you years of trouble free performance.

**⚠ IMPORTANT: PLEASE READ THESE INSTRUCTIONS CAREFULLY. NOTE THE SAFE OPERATIONAL REQUIREMENTS, WARNINGS, AND CAUTIONS. USE THIS PRODUCT CORRECTLY, AND WITH CARE FOR THE PURPOSE FOR WHICH IT IS INTENDED. FAILURE TO DO SO MAY CAUSE DAMAGE AND/OR PERSONAL INJURY AND WILL INVALIDATE THE WARRANTY.**

## 1. SAFETY INSTRUCTIONS

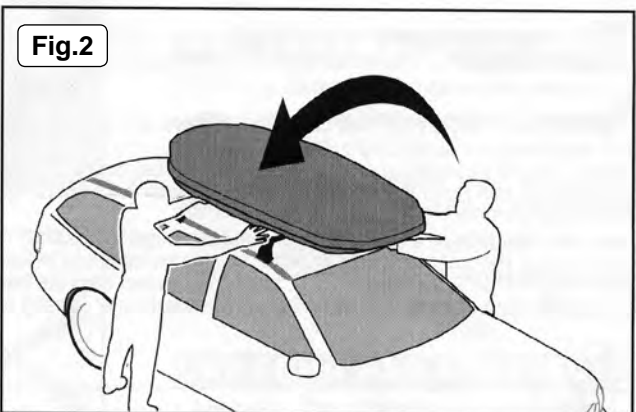
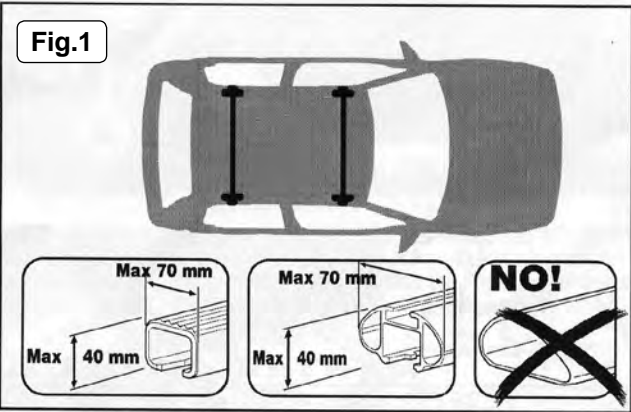
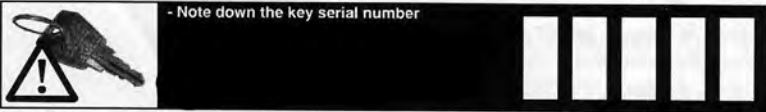
- DO NOT** use the roof box if any parts are missing or damaged as this may cause failure or possible personal injury.
- WARNING!** Due to the variety in design of vehicles, it is the users full responsibility to ensure no damage occurs whilst using this roof box. Correct attachment of the roof box to a vehicle is critical and is beyond the control of the manufacturer, distributor, or supplier.
- WARNING!** The user must secure the roof box, checking the security frequently when in use.
- WARNING!** Avoid any protrusions beyond the side of the car as these may present a risk of injury to passers-by.
- DO NOT** use the roof box for any purpose other than for which it is designed.
- WARNING!** Drive carefully - Be aware of cross winds, sudden braking or hard cornering, reduce speed accordingly when using roof box.
- WARNING!** This roof box is designed for temporary use only, remove when not in use and before going through a car wash.
- ✓ Before every use check the roof box for security of fittings or any sign of wear and tear. Replace any worn or damaged parts.
- ✓ Check the load is stable and uniformly distributed before transit. Use the supplied luggage straps.
- ✓ Be cautious of the load height and restrictions due to car park height barriers you may encounter.
- DO NOT** exceed the weight limit stated in the roof box's specifications.
- WARNING! Remember the driver of the vehicle is responsible for the security and safety of the load carried.**
- WARNING! The warnings, cautions and instructions in this manual cannot cover all possible conditions and situations that may occur. It must be understood by the operator that common sense and caution are factors which cannot be built into this product, but must be applied by the operator.**

## 2. INTRODUCTION & SPECIFICATIONS

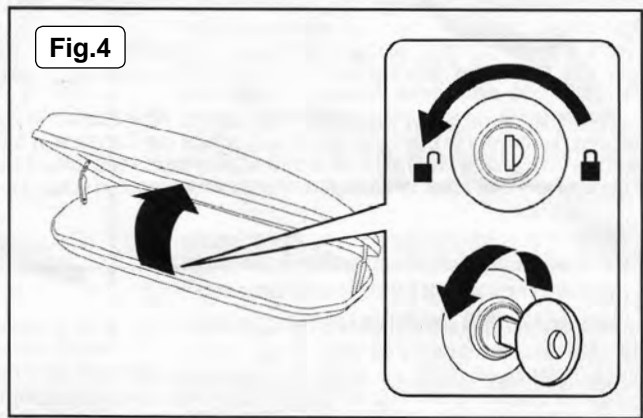
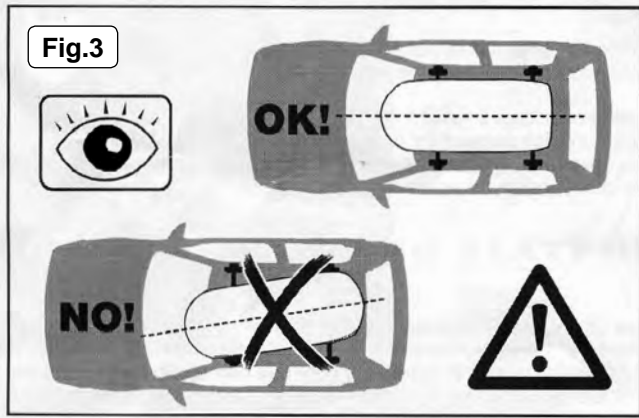
The RB460A & RB500A roof boxes are manufactured from ABS and HIPS (High Impact Polystyrene) for strength, looks and durability. They have a higher load capacity of 75kgs. Both models are finished in stylish metallic grey and benefit from triple point central locking. Model No. RB500A is a full width box and benefits from both left and right side opening. Both of these roof boxes are supplied with the quick system for fitting to most common size roof bars.

Model No: .....RB460A .....RB500A  
 Capacity:.....460ltr .....500ltr  
 Maximum Load: .....75kg.....75kg  
 Dimensions (LxWxH):...1850x800x410mm.....2000x900x410mm

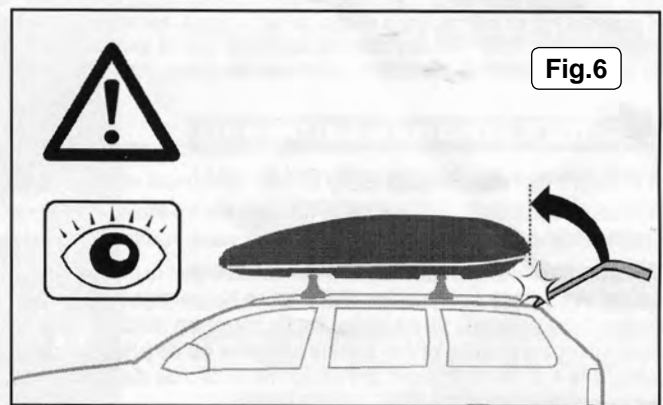
## 3. INSTALLATION



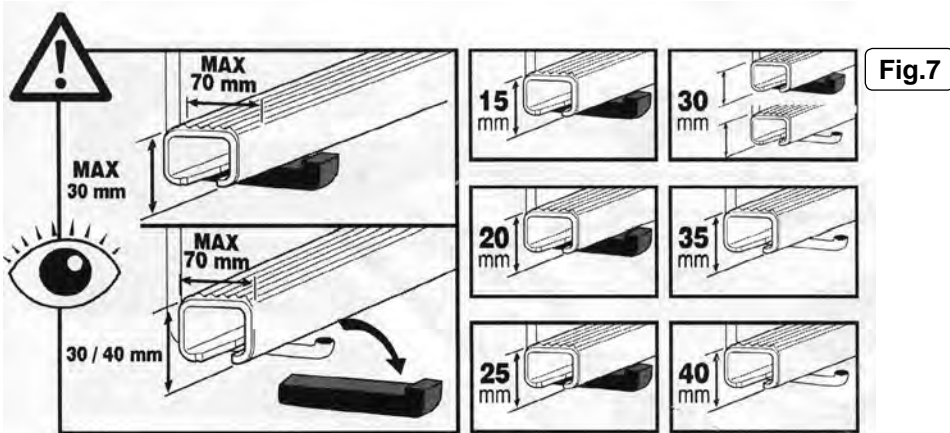
- 3.1. Make sure the roof bars are correctly spaced to accept the roof box and that they are the correct size to fit the metal hooks of the roofbox, (See fig.1).
- 3.2. The roof box must be lifted onto the vehicle by two people, (See fig.2).



- 3.3. Make sure that the roof box is placed along the centre line of the vehicle, (See fig.3).  
 3.4. The box is opened by turning the key anticlockwise. The key can only be removed when it is in the locked position, (See fig.4). RB500A can be opened from either side.



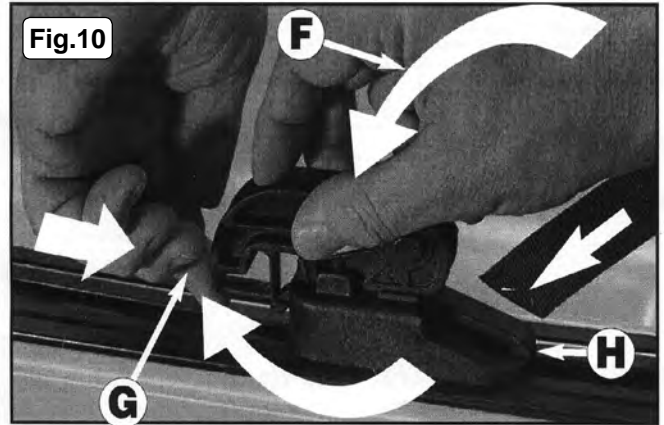
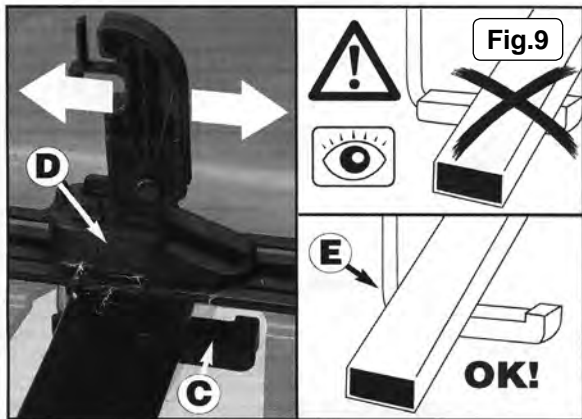
- 3.5. Ensure that the roof box is mounted the correct way round, (See fig.5).  
 3.6. Make sure that the roof box is mounted clear of the tailgate sweep, (See fig.6).



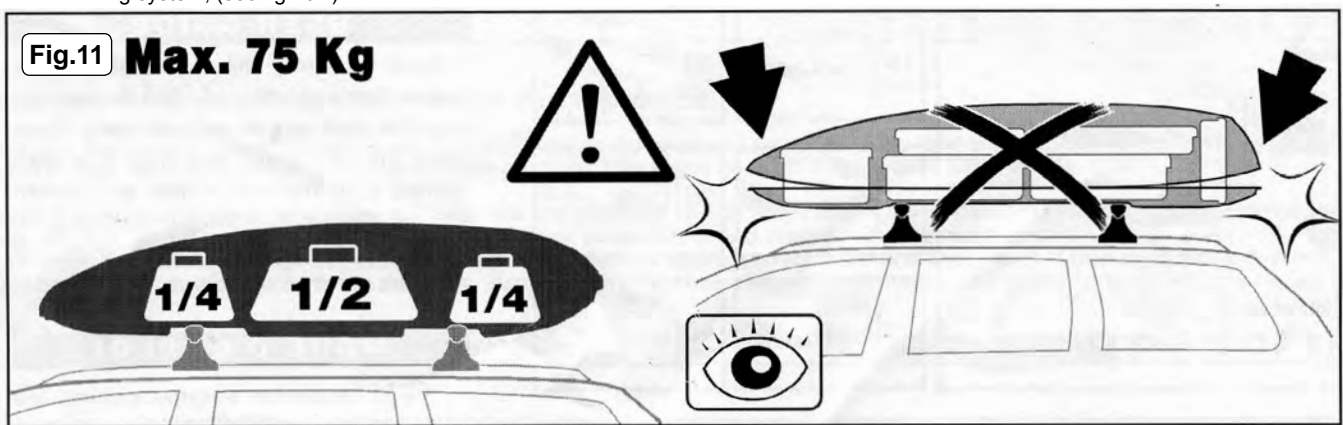
- 3.7. Check the dimensions of the roof bars fitted to your car in fig.7. Measure the section of your roof bars to see if the plastic hook bolt covers need to be fitted



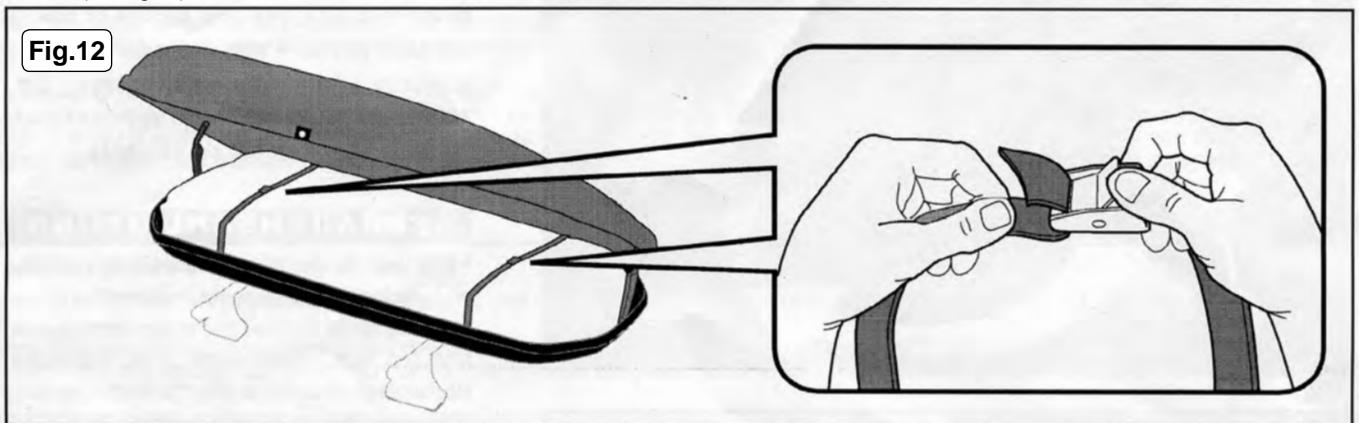
- 3.8. Unlock the handle from the safety catch (see fig.8A) and place it upright (see fig.8B).  
 3.9. Unscrew the handle anticlockwise in order to release the metal hook (see fig.8).



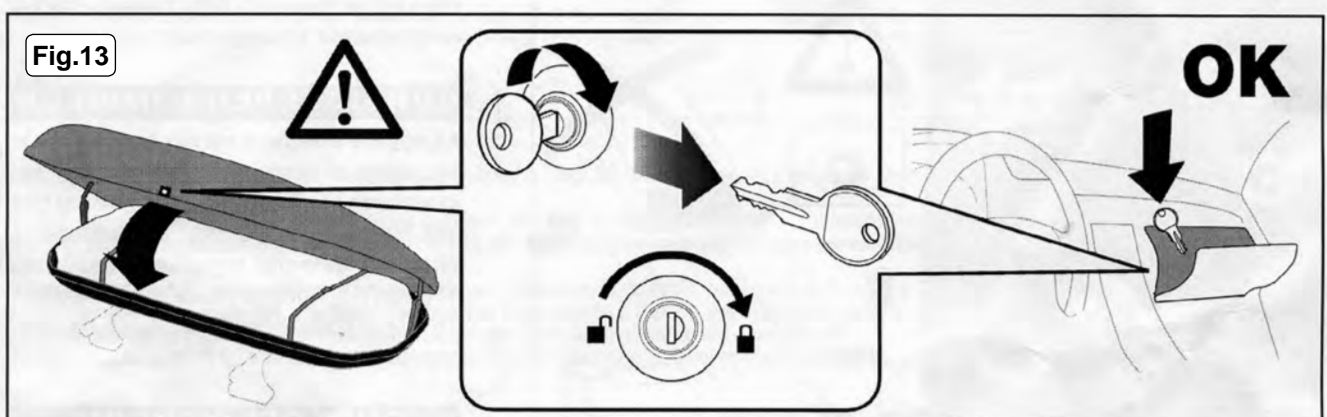
- 3.10. Slide the fixing system (fig.9D) to the right or to the left (see fig.9C) in order to find the most suitable position of the metal hook on the roof bars, (see figs 9C and 9E) .
- 3.11. Screw the handle clockwise (see fig.10) in order to secure the metal hook onto the roof bar and push the handle down to lock the system, see fig.10F. If the handle does not lock, lift the handle up, screw or unscrew (if the handle is too tight) and repeat the procedure above. Lock the safety catch (see fig.10G). **Check carefully that the system is appropriately fixed and that the roof box does not move on the roof bars.** After fixing all four hooks to the roof bars, insert the luggage straps through the loops placed on the body of the fixing system, (see fig.10H).



- 3.12. Distribute the load evenly in the roofbox. **DO NOT** place tall objects in the roofbox which will prevent it from closing correctly (see fig.11).



- 3.13. Use the two straps provided, threaded through the body of the fixing system (refer to 3.11.), to secure the load within the roofbox.



3.14. Ensure that the lid is closed and locked. Remove the key and make sure it is carried in the vehicle. **DO NOT** leave the key in the lock.

#### 4. CLEANING & MAINTENANCE

- 4.1. Clean with water and soap only, **DO NOT** use alcohol or solvents.
- 4.2. When not in use store in a safe, child free and frost free location.



Parts support is available for this product. To obtain a parts listing and/or diagram, please log on to [www.sealey.co.uk](http://www.sealey.co.uk), email [sales@sealey.co.uk](mailto:sales@sealey.co.uk) or telephone 01284 757500.



##### Environmental Protection.

Recycle unwanted materials instead of disposing of them as waste. All tools, accessories and packaging should be sorted, taken to a recycling centre and disposed of in a manner which is compatible with the environment.

**NOTE:** It is our policy to continually improve products and as such we reserve the right to alter data, specifications and component parts without prior notice.

**IMPORTANT:** No liability is accepted for incorrect use of this product.

**WARRANTY:** Guarantee is 12 months from purchase date, proof of which will be required for any claim.

**INFORMATION:** For a copy of our latest catalogue and promotions call us on 01284 757525 and leave your full name and address, including postcode.



Sole UK Distributor, Sealey Group,  
Kempson Way, Suffolk Business Park,  
Bury St. Edmunds, Suffolk,  
IP32 7AR



01284 757500



[www.sealey.co.uk](http://www.sealey.co.uk)



01284 703534



[sales@sealey.co.uk](mailto:sales@sealey.co.uk)