



QUICK ACTION SWIVEL BASE VICE

MODEL NO: **QAVE100, QAVE125, QAV150.V2, & QAV200.V2**

Thank you for purchasing a Sealey product. Manufactured to a high standard, this product will, if used according to these instructions, and properly maintained, give you years of trouble free performance.

IMPORTANT: PLEASE READ THESE INSTRUCTIONS CAREFULLY. NOTE THE SAFE OPERATIONAL REQUIREMENTS, WARNINGS & CAUTIONS. USE THE PRODUCT CORRECTLY AND WITH CARE FOR THE PURPOSE FOR WHICH IT IS INTENDED. FAILURE TO DO SO MAY CAUSE DAMAGE AND/OR PERSONAL INJURY AND WILL INVALIDATE THE WARRANTY. KEEP THESE INSTRUCTIONS SAFE FOR FUTURE USE.



Refer to instructions

1. SAFETY

- ☐ **WARNING!** Ensure Health and Safety, local authority and general workshop practice regulations are adhered to when using tools.
- ✓ Observe standard workshop safety procedures.
- ✓ Maintain correct balance and footing. **DO NOT** over reach, ensure the floor is not slippery, wear non-slip shoes.
- ✓ Remove loose fitting clothing, ties, watches, rings, loose jewellery, and contain or tie back long hair.
- ✓ Wear approved eye protection. A full range of personal safety equipment is available from your Sealey stockist.
- ✗ **DO NOT** use these vice for any purpose other than those for which it has been designed.
- ✗ **DO NOT** use vice if damaged.
- ✓ Maintain vice in good and clean condition for best and safest performance.
- ✓ When not in use, store the tools in their case in a safe, dry, childproof location.

2. INTRODUCTION

2.1. QAVE100 & QAVE125

Manufactured to a high standard from SG iron enabling use for both professional and DIY applications. Units are fitted with a smooth swivel base to enable clamping at multiple angles. Features a quick jaw release system for time-saving and increased versatility. Supplied with replaceable high quality steel jaws and an anvil enabling a variety of metalworking applications.

2.2. QAV150.V2 & QAV200.V2

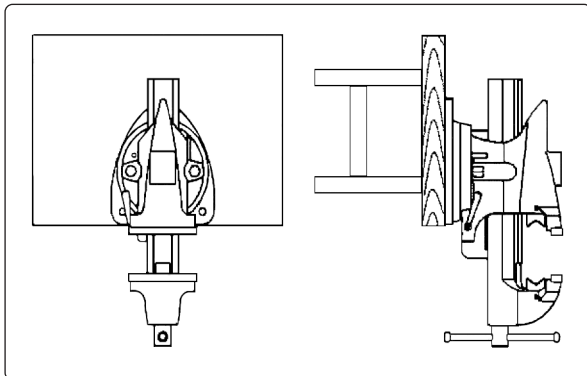
Time-saving bench mounting swivel base vice with cast iron body. Features a side lever for engaging/disengaging main clamp, enabling quick-side action to and from workpiece. Includes both, replaceable serrated steel jaws and pipe clamping jaws, with a heavy-duty anvil at the back.

3. SPECIFICATION

Model No:.....	QAVE100	QAVE125	QAV150	QAV200
Jaw Opening:.....	100mm	125mm	203mm	254mm
Jaw Width:.....	100mm	125mm	150mm	200mm
Optional Accessories:	VSJ100 - Soft Jaws	VSJ125 - Soft Jaws	VSJ150	
Overall Height:.....	160mm	170mm	250mm	265mm

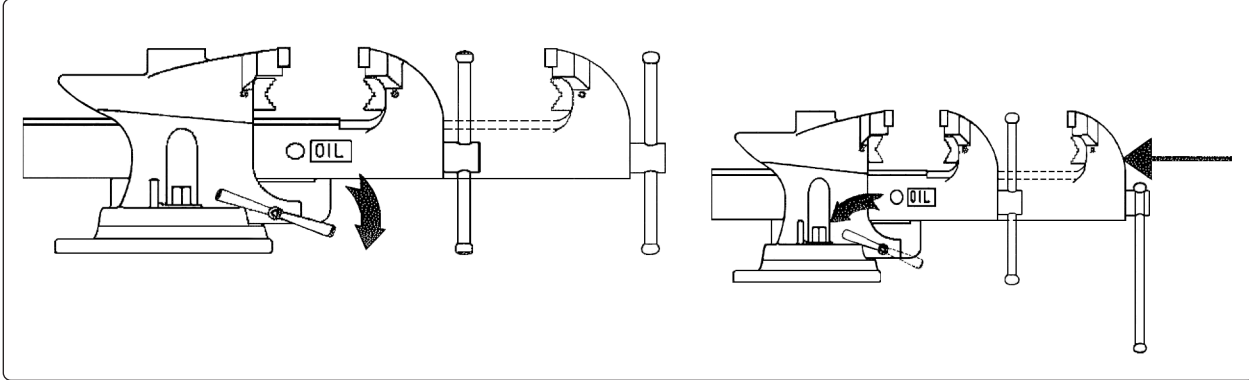
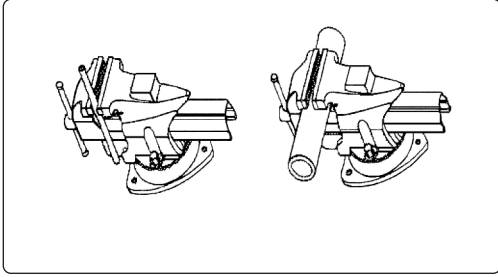
4. MOUNTING THE VICE

4.1. The side marked front on the swivel base should be mounted along the edge of the workbench.



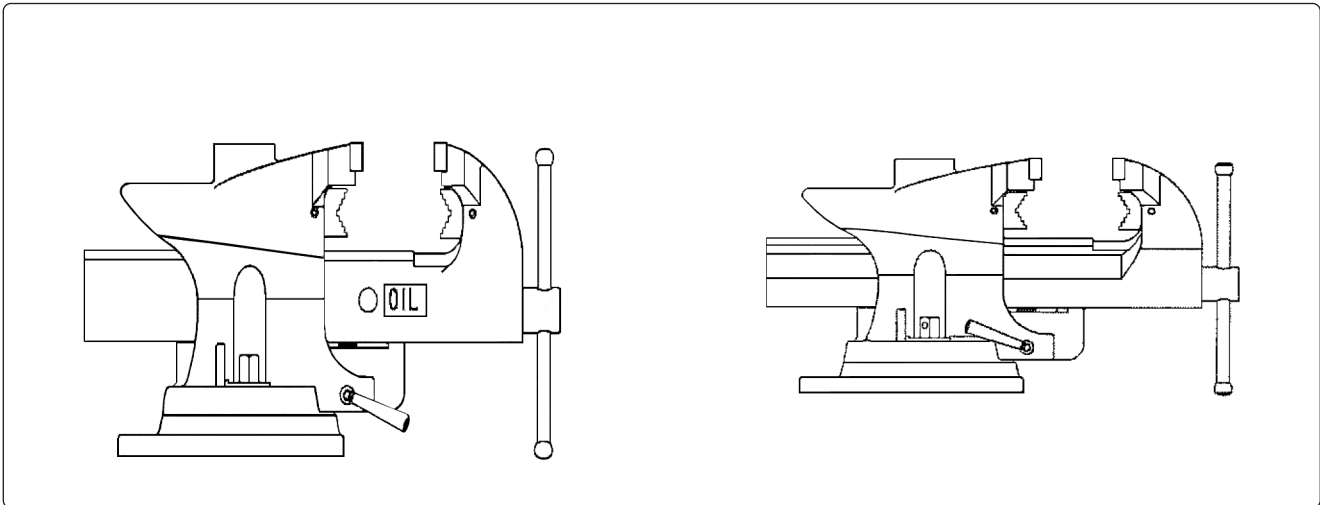
5. OPERATION

- ❑ **WARNING!** To avoid damage to the quick release system, **DO NOT** turn the 'fast action' handle when the vice is closed or holding work.



6. MAINTENANCE

- 6.1. To lubricate the vice, open the jaws wide enough to expose the oil hole.
- 6.2. Make sure all moving part on the vice move how they are supposed to.



ENVIRONMENT PROTECTION

Recycle unwanted materials instead of disposing of them as waste. All tools, accessories and packaging should be sorted, taken to a recycling centre and disposed of in a manner which is compatible with the environment. When the product becomes completely unserviceable and requires disposal, drain any fluids (if applicable) into approved containers and dispose of the product and fluids according to local regulations.

Note: It is our policy to continually improve products and as such we reserve the right to alter data, specifications and component parts without prior notice.

Important: No Liability is accepted for incorrect use of this product.

Warranty: Guarantee is 12 months from purchase date, proof of which is required for any claim.

Sealey Group, Kempson Way, Suffolk Business Park, Bury St Edmunds, Suffolk. IP32 7AR

☎ 01284 757500

📄 01284 703534

✉ sales@sealey.co.uk

🌐 www.sealey.co.uk