

SEALEY

150BAR PROFESSIONAL PRESSURE WASHER WITH TSS & ADJUSTABLE NOZZLE SET 230V

MODEL NO: **PW5000.V2**

Thank you for purchasing a Sealey product. Manufactured to a high standard, this product will, if used according to these instructions, and properly maintained, give you years of trouble free performance.

IMPORTANT: PLEASE READ THESE INSTRUCTIONS CAREFULLY. NOTE THE SAFE OPERATIONAL REQUIREMENTS, WARNINGS & CAUTIONS. USE THE PRODUCT CORRECTLY AND WITH CARE FOR THE PURPOSE FOR WHICH IT IS INTENDED. FAILURE TO DO SO MAY CAUSE DAMAGE AND/OR PERSONAL INJURY AND WILL INVALIDATE THE WARRANTY. KEEP THESE INSTRUCTIONS SAFE FOR FUTURE USE.



Refer to instruction manual



Wear protective gloves



Wear face protection



Wear ear protection



Wear protective clothing



DO NOT drink water from pressure washer



DO NOT direct jet against yourself, other persons, animals, electrical equipment or the machine itself

1. SAFETY

CAUTION - READ THE INSTRUCTIONS BEFORE USING THE MACHINE.

1.1. ELECTRICAL SAFETY

- WARNING!** It is the user's responsibility to check the following:
 - ✓ Check all electrical equipment and appliances to ensure that they are safe before using. Inspect power supply leads, plugs and all electrical connections for wear and damage. Sealey recommend that an RCD (Residual Current Device) is used with all electrical products.
 - ✓ **Electrical safety information.** It is important that the following information is read and understood:
 - ✓ Ensure that the insulation on all cables and on the appliance is safe before connecting it to the power supply.
 - ✓ Regularly inspect power supply cables and plugs for wear or damage and check all connections to ensure that they are secure.
 - ✓ **Important:** Ensure that the voltage rating on the appliance suits the power supply to be used and that the plug is fitted with the correct fuse.
 - ✗ **DO NOT** pull or carry the appliance by the power cable.
 - ✗ **DO NOT** pull the plug from the socket by the cable.
 - ✗ **DO NOT** use worn or damaged cables, plugs or connectors. Ensure that any faulty item is repaired or is replaced immediately by a qualified electrician.
- ✓ If the cable or plug is damaged during use, switch off the electricity supply and remove from use. Cable must be replaced by the manufacturer, its service agent or similarly qualified persons in order to avoid a hazard.
- ✓ The Electric supply connection shall be made by a qualified electrician and comply with IEC 60364-1.
- ✓ It is recommended that the electric supply to this machine should include either a residual current device that will interrupt the supply if the leakage current to earth exceeds 30mA for 30ms or a device that will prove the earth circuit.
- WARNING!** Inadequate extensions cords can be dangerous. If an extension cord is used, it shall be suitable for outdoor use, and the connection has to be kept dry and off the ground. It is recommended that this is accomplished by means of a suitably rated cord reel which keeps the socket at least 60mm above the ground.
- ✓ **Ensure that repairs are carried out by a qualified electrician.**

1.2. PRESSURE WASHER SAFETY

- ✓ Read the instructions fully before use. The manual forms an integral part of the appliance and should be kept for future reference. Please read it carefully before installing/using the unit. If the appliance is sold, the seller must pass on this manual to the new owner along with the appliance.
- WARNING!** Wear appropriate personal protective equipment for the task in hand. Risk assess the task and select: safety boots, safety gloves, safety helmets with visors, protective clothing, hearing protection as necessary.
- WARNING! Machine/high pressure cleaners, shall not be used by children or untrained personnel.**
- ✗ **DO NOT** allow children to use the appliance; supervise them to ensure that they do not play with it.
- WARNING! RISK OF EXPLOSION. DO NOT** use the appliance to spray flammable liquids.
 - ✗ **DO NOT** use the appliance with flammable or toxic liquids, or any products which are not compatible with its correct operation. Use of the appliance in a potentially inflammable or explosive atmosphere is forbidden.
- WARNING! HIGH PRESSURE JETS** can be dangerous if subject to misuse. The jet must not be directed at persons, live electrical equipment or at the unit itself.
- WARNING! HIGH PRESSURE HOSES, fittings and couplings** are important for the safety of the machine. Use only hoses, fittings and couplings recommended by the manufacturer.
 - ✗ **DO NOT** point the water jet at people or animals.
 - ✗ **DO NOT** splash or wash the machine down.
- WARNING! ENSURE** that all people or animals keep a minimum distance of 15m.
 - ✗ **DO NOT** use the appliance with people within its range of action unless they wear protective clothing.
 - ✗ **DO NOT** direct the jet at yourself or others in order to clean clothing or footwear.
 - ✗ **DO NOT** use the appliance outdoors when it is raining.
 - ✗ **DO NOT** touch the plug and/or socket with wet hands.
 - ✗ **DO NOT** use the appliance if the electric cable is damaged. If the electric cable is damaged, it must be replaced by the manufacturer, one of its authorised Service Centres or similarly qualified persons in order to avoid a safety hazard.
 - ✗ **DO NOT** use the appliance if important parts such as the safety devices, high pressure hoses, trigger or gun are damaged.

- × **DO NOT** jam the trigger in the operating position.
 - ✓ Check that the data plate is affixed to the appliance. If not, inform your supplying stockist. Appliances without plates must NOT be used as they are unidentifiable and potentially dangerous.
 - × **DO NOT** tamper with or adjust the setting of the safety valve or the safety devices.
 - × **DO NOT** alter the original diameter of the spray head nozzle.
 - × **DO NOT** move the appliance by pulling on the ELECTRIC CABLE. Use the handle and transport by use of the wheels.
 - × **DO NOT** allow vehicles to drive over the high pressure hose.
 - × **DO NOT** move the appliance by pulling on the high pressure hose.
 - **WARNING!** Use the washer on a flat, level surface in an upright position. NEVER lay the washer down during use.
 - **WARNING!** When directed towards tyres, tyre valves or other pressurised components, the high pressure jet is potentially dangerous. **DO NOT** use the rotating nozzle kit, and always keep the jet at a distance of at least 30 cm during cleaning.
 - **WARNING!** The use of non-original accessories and any other spare parts not specifically intended for the model in question is prohibited. All modifications to the appliance are prohibited.
 - **WARNING!** The electric supply connection must be made by a qualified electrician and comply with IEC 60364-1. Either a residual current device that will cut off the power supply if the leakage current to earth exceeds 30 mA for 30 ms or a ground fault interrupt device must be installed.
 - **WARNING!** Use of a residual current breaker (RCB) will provide additional protection for the operator (30 mA).
 - **WARNING!** Always turn off the switch when leaving the appliance unattended. The machine must be attended during operation.
 - **WARNING!** High pressure may cause parts to rebound: wear all the protective clothing (PPE) and equipment needed to ensure the operator's safety.
 - **WARNING!** Before performing Maintenance, making adjustments to the appliance, converting to another function **ALWAYS** disconnect from mains supply.
 - ✓ Supply hose must be reinforced and have an internal diameter of 1/2" (13mm).
 - ✓ Water supply must be equal to cleaner capacity. Water temperature must not exceed 60°C. Water supply pressure must be to Specification (see Specification section below.)
 - ✓ Only use where air can circulate freely, **DO NOT** block ventilation grilles.
 - **WARNING!** Before pressing the trigger, GRIP the gun firmly to counteract the recoil.
 - **WARNING!** COMPLY WITH the local water supply authority regulations. The appliance may only be connected to the mains drinking water supply if the supply hose is fitted with a backflow preventer valve.
 - **WARNING!** Water that has passed through a backflow preventer is considered to be non-potable.
 - **WARNING!** Maintenance and/or repair of electrical components MUST be carried out by suitably qualified staff.
 - **WARNING!** DISCHARGE residual pressure before disconnecting the hose from the appliance.
 - **WARNING!** CHECK before each use and at regular intervals that the screws are fully tightened and that there are no broken or worn parts.
 - **WARNING!** This appliance is designed for use with the detergent supplied or recommended by the manufacturer. The use of other detergents or chemicals may adversely affect the appliance's safety.
 - **WARNING!** To ensure the appliance's safety, only use original spare parts from the manufacturer or approved by the manufacturer.
 - **WARNING!** Switch the appliance off and disconnect it from the power supply before assembly, cleaning, adjustments, maintenance, storage and transportation.
- Commercial use:** This machine is not intended for use by persons (Including children) with reduced physical, sensory or mental capabilities, or lack of experience and knowledge.
- Not for commercial use:** This machine can be used by people with reduced physical, sensory or mental capabilities or lack of experience and knowledge if they have been given supervision or instruction concerning use of the machine in a safe way and understand the hazards involved.

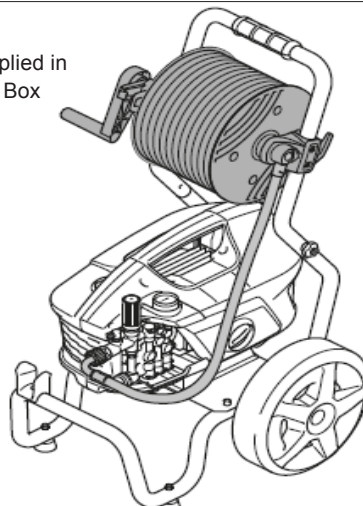
2. INTRODUCTION

Professional unit, designed and manufactured in Italy. Ideal for a wide variety of applications including commercial and agricultural use. Fitted with a powerful 2500W induction motor and brass pump head and fittings with ceramic pistons. Capable of pumping up to 500 litres of water per hour with a maximum pressure of 160bar. Features Automatic Total Stop System (TSS) technology which switches the motor on and off when the lance trigger is operated, prolonging motor life. Fitted with 10m hose reel, built-in pressure gauge and adjustable pressure controls. Supplied with stainless steel lance with adjustable spray nozzle. Manufactured with a lightweight, durable metal frame and large heavy-duty wheels. Supply: 230V - 13A. Supplied with 5m power cable fitted with 3-pin plug.

3. SPECIFICATION

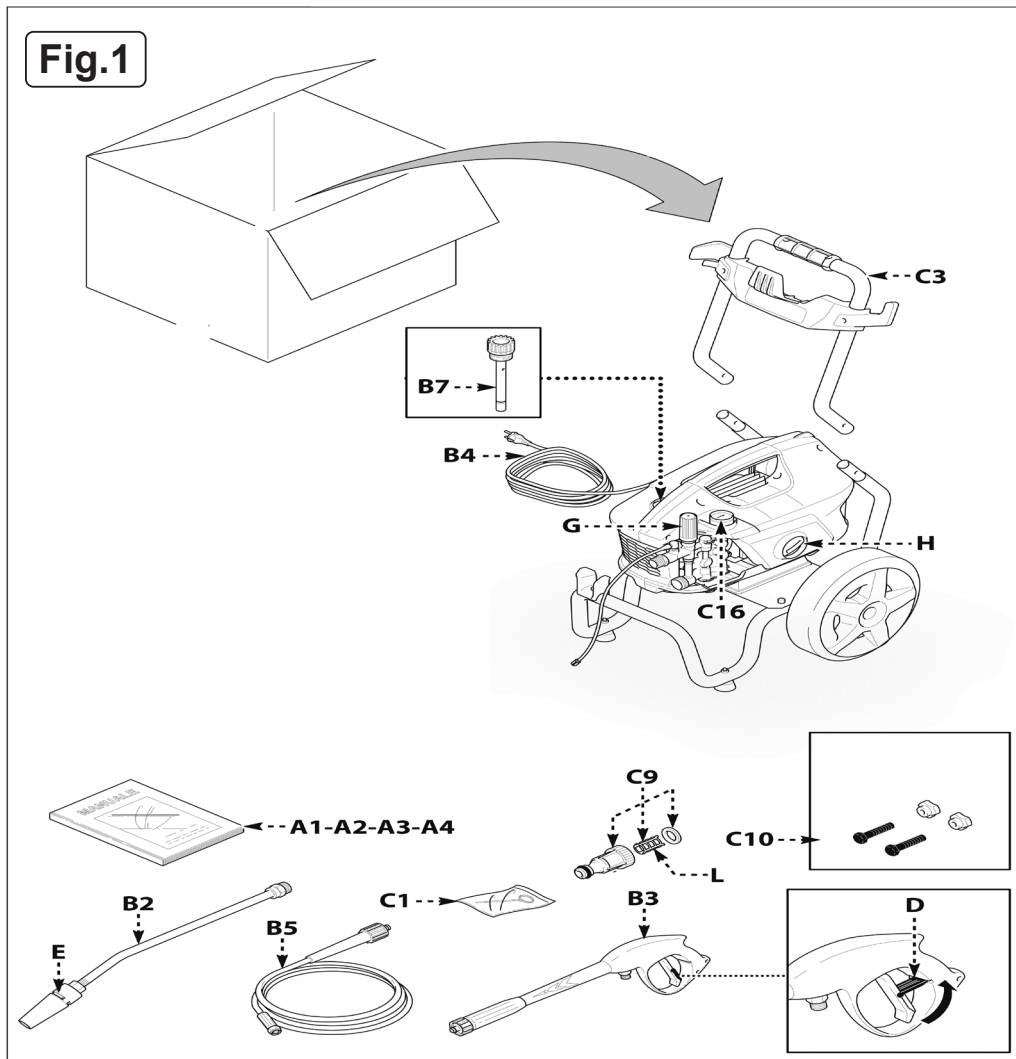
| | |
|-----------------------------|---------------------------|
| Model No: | PW5000.V2 |
| Maximum Pressure: | 160bar(2320psi) |
| Water flow Rate: | 500L/hr |
| Motor power: | 2500W |
| Fuse Rating:..... | 13A |
| Rated pressure | 135bar(1958psi) |
| Supply:..... | 230V-13A |
| Total Stop System: | Yes |
| Hose length:..... | 10m |
| IP Rating: | IPX5 |
| Noise Level: | 93dB |
| Noise Rating LwA:..... | 91dB |
| Vibration/uncertainty | ah ≤ 2,5 M/s ² |

Reel Supplied in
Separate Box



4. ASSEMBLY

4.1. CONTENTS



| | |
|---------|-------------------------|
| A1 - A4 | Associated Paperwork |
| B2 | Lance |
| B3 | Gun With Safety Catch |
| B4 | Electric Cable and Plug |
| B5 | High Pressure Hose |
| B7 | Oil Cap and Dip Stick |
| C1 | Nozzle Cleaning Tool |
| C3 | Handle |
| C9 | Adaptor |
| C10 | Screws + Thumb Wheels |
| C16 | Pressure Gauge |
| D | Safety Catch |
| E | Nozzle |
| G | Pressure Regulator |
| H | Starter On/Off |

- 4.2. FIT HANDLE** (fig.1 C3) using the supplied bolts and thumb wheels (fig.1 C10, fig.3 C10).
- 4.3.** Remove the red travel plug from the motor body (fig.3 - 2). Insert the Oil Cap and Dip Stick (fig.1 B7, fig.3.2 B7) and check the oil level. Top up to 'full' mark on stick if necessary.
- 4.4. FIT HOSE REEL**
- 4.4.1.** Remove the fitted bracket (fig.2-1) and retain fixings.
- 4.4.2.** Fit reel spindle holders to both sides (fig.2-2, fig.2-3). **NOTE:** The gun holster and handle bracket fits on the right hand side. The water inlet carrier fits on the left hand side.
- 4.4.3.** Fit reel handle using supplied fixing (fig.2-5).
- 4.4.4.** Confirm reel lock operates correctly (fig.2-6).
- 4.5.** Connect High Pressure hose to reel inlet (fig.2-7-1) and other end to pump manifold outlet (fig.2-7-2).
- 4.6.** Connect inlet adaptor to manifold inlet (fig.3-5 C9).
- 4.7.** Assemble lance (fig.3-8) using items B3, B2, and E.
- 4.8.** Connect hose reel outlet to the trigger unit (fig.3-7). **NOTE:** If required, the motor can be separated from the carriage by depressing the release catch (fig.3-3, fig.3-4) once all hoses are disconnected.
- 4.9. WATER SUPPLY CONNECTION**
- WARNING - DANGER!** Only clean or filtered water should be supplied to the appliance. The flow rate of the water inlet tap should be equal to the pump flow rate.
- 4.9.1.** Place the appliance as close to the water supply system as possible.
- 4.9.2.** The appliance may only be connected directly to the mains drinking water supply if the supply hose is fitted with a backflow preventer valve as per current regulations in force. Make sure that the hose is at least $\varnothing 13$ mm, that it is reinforced and that it is not more than 25m long.
- 4.9.3.** For suction of water from open containers:
- 1) Screw the inlet hose with filter to the water INLET and insert it down to the bottom of the container.
 - 2) Vent the air from the appliance:
 - a) Unscrew the lance.
 - b) Start the appliance and keep the gun open until there are no air bubbles in the water flowing out.

3) Switch the appliance off and screw the lance back on.

NOTE: the maximum suction height is 0.5 m. The suction hose should be filled before use.

- 4.10. The trigger has a safety lock incorporated. To engage it, clip the lock into depression on the handle. To unlock, unclip the lock from handle (fig.5 D, I, fig.1 D).
- 4.11. To adjust the nozzle spray pattern, rotate the lance nozzle as shown in fig.5 E.
- 4.12. To adjust the working pressure, rotate the pressure regulator (fig.1 G) clockwise to increase and anti-clockwise to reduce.
- 4.13. **TRIGGER** has a safety lock. To engage: clip the lock into the depression on the handle. To release: unclip the lock from the handle (fig.5 D,I , fig.1 D).
- 4.14. **NOZZLE SPRAY PATTERN ADJUSTMENT** rotate the lance as shown in fig.5 E.
- 4.15. **PRESSURE ADJUSTMENT** rotate the pressure regulator (fig.1 G) clockwise to increase and anticlockwise to reduce pressure.

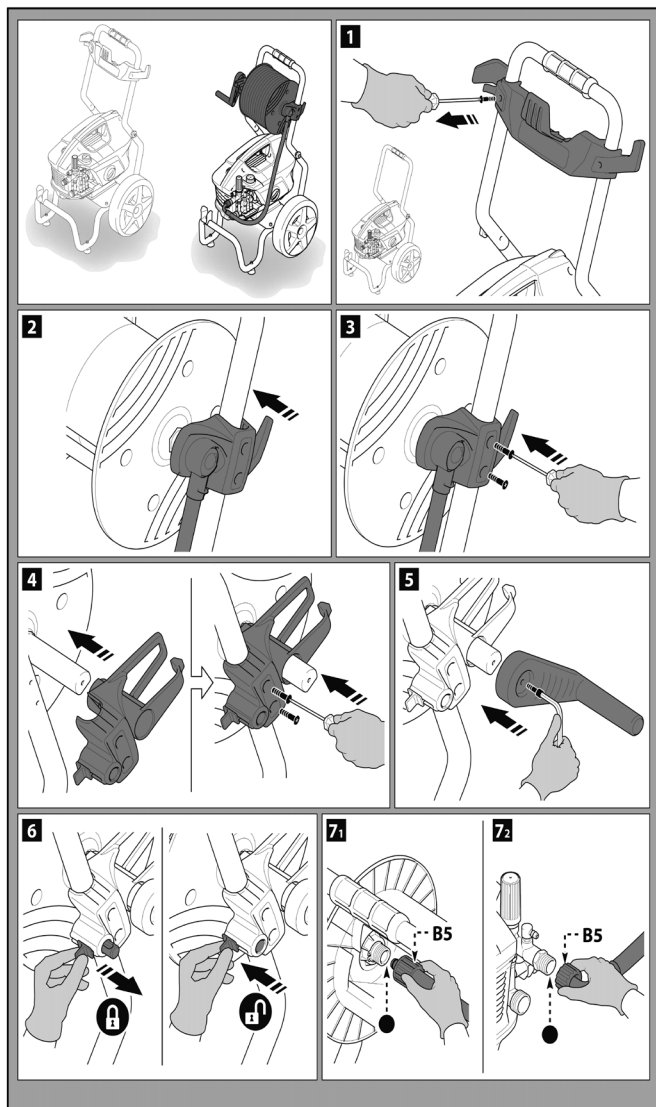


Fig.2

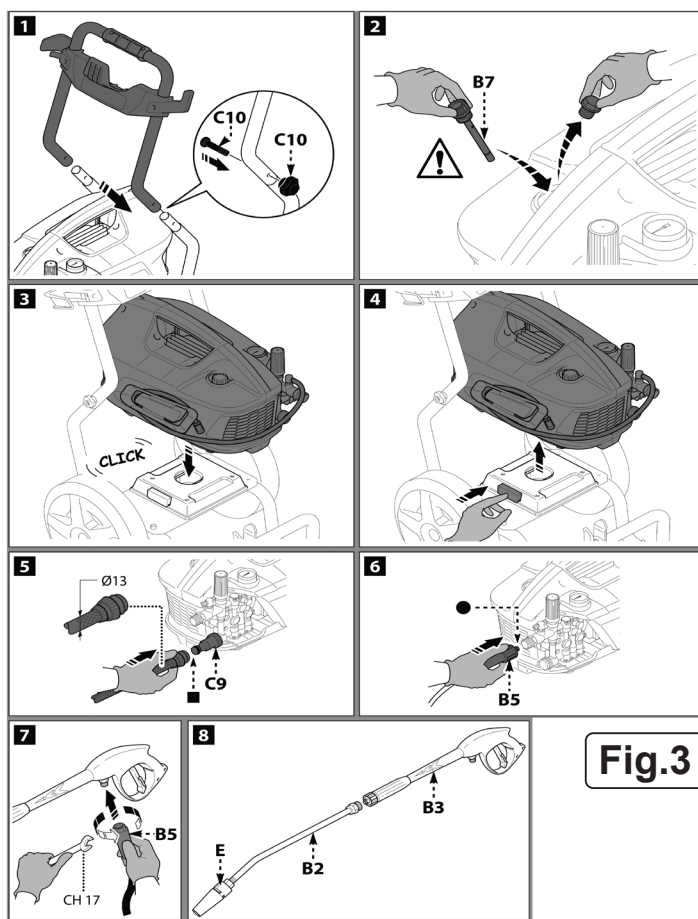


Fig.3

5. OPERATION

- WARNING - DANGER!** During operation, the appliance must be positioned on a firm, stable surface.
- 5.1. Turn on the water supply tap fully.
- 5.2. Release the safety catch (fig. 5 D,I, fig.1 D).
- 5.3. Depress the gun trigger for a few seconds and start up the appliance using the starter device (fig.1 H) (ON/I).
- WARNING - DANGER!** Before starting up the appliance check that it is receiving water correctly as use of the appliance without water will damage it.
- × **DO NOT** cover the ventilation grilles when the appliance is in use.
- 5.4. TSS models - In TSS models with automatic delivery flow cut-off system when the gun trigger is released the dynamic pressure automatically cuts out the motor.
- 5.5. Also in TSS models, when the gun trigger is depressed the automatic drop in pressure starts the motor and the pressure is restored after a very slight delay.
- 5.6. If the TSS is to function correctly, all gun trigger releasing and depressing operations must be at least 4-5 seconds apart.
- 5.7. **SHUTTING DOWN**
- 5.7.1. Set the starter device switch on (OFF/0).
- 5.7.2. Depress the gun trigger and discharge the residual internal pressure.
- 5.7.3. Engage the safety catch (fig. 5 D,I, fig.1 D).

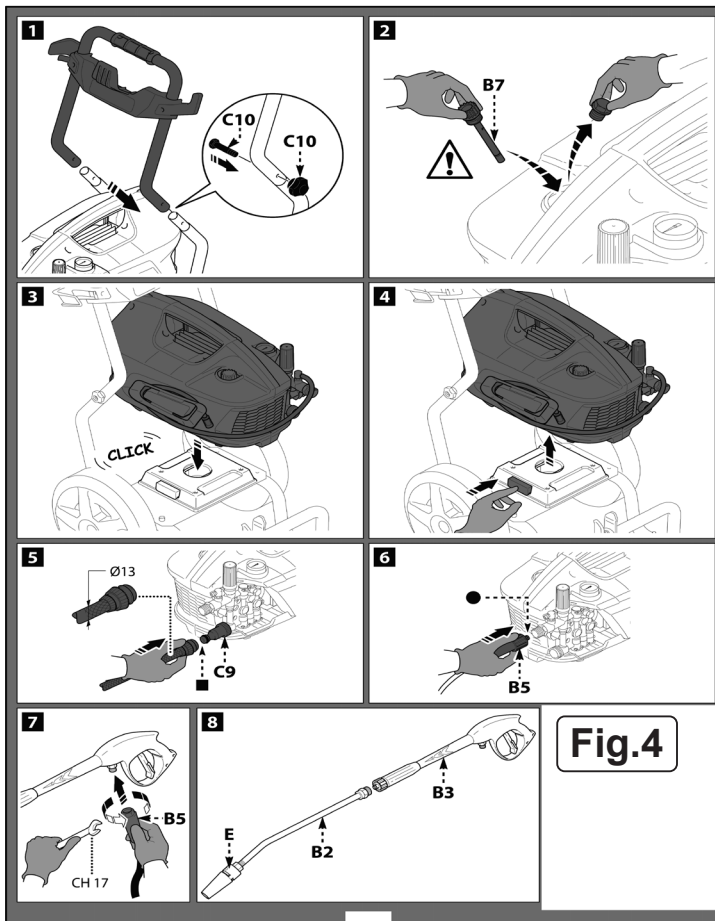


Fig.4

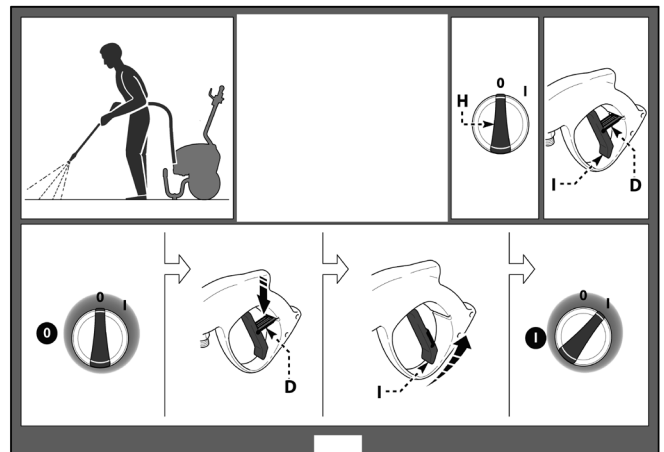
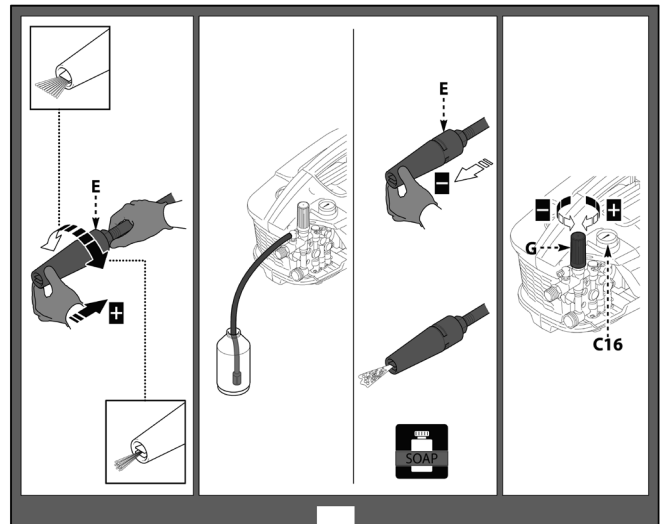


Fig.5

5.8. RESTARTING

- 5.8.1. Release the safety catch (fig. 5 D,I, fig.1 D).
- 5.8.2. Depress the gun trigger and discharge the residual air inside the unit and hoses..
- 5.8.3. Set the starter device on (ON/I).

5.9. RECOMMENDED CLEANING PROCEDURE

- 5.9.1. Dissolve dirt by applying the detergent mixed with water to the surface while still dry.
- 5.9.2. When dealing with vertical surfaces work from the bottom upwards.
- 5.9.3. Leave the detergent to act for 1-2 minute but do not allow the surface to dry. Starting from the bottom, use the high pressure jet at a minimum distance of 30 cm. In some cases, scrubbing with brushes is needed to remove dirt.
- 5.9.4. High pressure is not always the best solution for good cleaning results, since it may damage some surfaces. The finest adjustable nozzle jet setting or the rotating nozzle should not be used on delicate or painted parts, or on pressurised components (e.g. tyres, inflation valves, etc.).
- 5.9.5. Effective cleaning depends on both the pressure and volume of the water used, to the same degree.

5.10. HOW TO AVOID DAMAGING TYRES

- 5.10.1. Using the pressure washer to wash tyres may damage the tyre and can be dangerous. NEVER point the high pressure jet straight at the tyre.
- 5.10.2. Always use the washer at the lowest pressure setting when cleaning in the vicinity of wheels and tyres.

6. MAINTENANCE

- WARNING - DANGER!** Always disconnect the plug from the power socket before carrying out any work on the appliance.

6.1. CLEANING THE NOZZLE

- 6.1.1. Disconnect the lance from the nozzle. Remove any dirt deposits from the nozzle hole using the tool (fig.6 C1).

6.2. CLEANING THE FILTER

- 6.2.1. Inspect the inlet filter (fig.6 L) and detergent filter (if fitted) before each use, and clean in accordance with the instructions if necessary.

- 6.3. **UNJAMMING THE MOTOR** (on models with this feature) In case of lengthy stoppages, limescale sediments may cause the motor to seize. To unjam the motor, turn the drive shaft with a screw driver or similar (fig.6 M).

- 6.4. **REFILLING THE OIL** (for models with this feature) (fig.3 B7, fig.4 2).

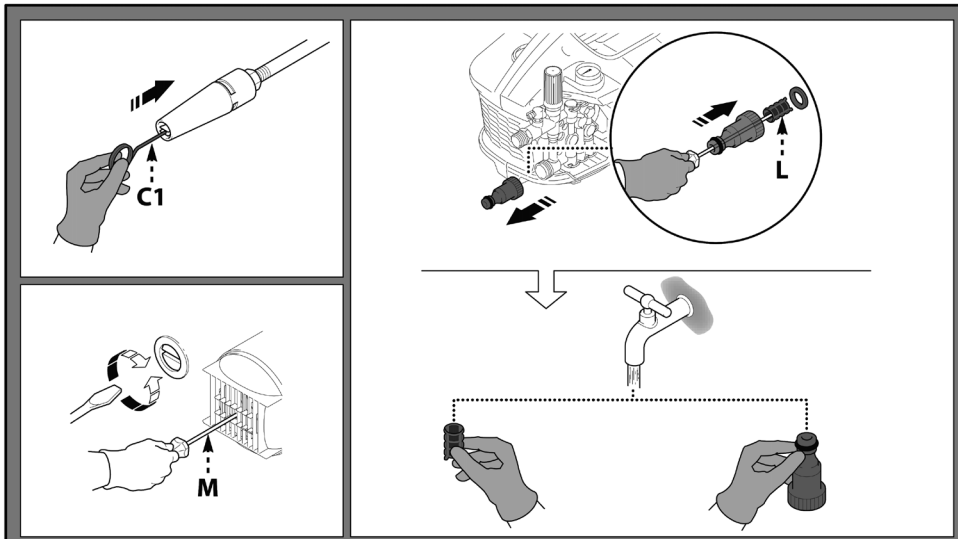
Add oil through the intake hole to restore the correct level.

OIL GRADE: SAE 15W40

- 6.5. **END-OF-SEASON STORAGE**

Treat the appliance with non-corrosive, non-toxic antifreeze before storing it away for winter. Put the appliance in a dry place, protected from frost.

Fig.6



7. TROUBLESHOOTING

| Problem | Possible causes | Remedy |
|-------------------------------------------------------------------------------------------------|--------------------------------------------------------------------------------------|------------------------------------------------------------------------------------------------------------------------------------------------------------|
| Pump does not reach working pressure | Nozzle worn | Replace nozzle |
| | Water filter fouled | Clean filter (L) Fig.6L |
| | Insufficient water supply | Turn on water supply tap fully |
| | Air being sucked into system | Check tightness of hose fittings |
| | Air in pump | Switch off the appliance and keep depressing and releasing the gun trigger until the water comes out in a steady flow. Switch the appliance back on again. |
| | Adjustable nozzle not positioned correctly | Set nozzle (E) on (+) setting Fig.4E |
| | Thermostatic valve tripped | Wait for correct water temperature to be restored |
| | Water being sucked from an open container from a height of more than 0.5 m. | Reduce the suction height. |
| Pump pressure drops during sudden use | Water being sucked from an external tank | Connect appliance to the mains water supply |
| | Inlet water too hot | Reduce temperature |
| | Nozzle clogged | Clean nozzle |
| | Inlet filter (L) fouled | Clean filter (L) Fig.6L |
| Motor "buzzes" but fails to start | Power supply voltage too low | Check that the voltage of the mains power supply line is the same as that on the plate |
| | Voltage drop due to use of extension cable | Check characteristics of extension cable |
| | Appliance not used for a long period of time | Contact your nearest Authorised Service Centre |
| | Problems with TSS device | Contact your nearest Authorised Service Centre |
| Motor fails to start | No electrical power | Check that the plug is firmly in the socket and that the mains voltage supply is present (*) |
| | Problems with TSS device | Contact your nearest Authorised Service Centre |
| | Appliance not used for a long period of time | Using the tool (M) unjam the motor through the hole at the rear of the appliance (in models with this feature) |
| Water leakages | Seals worn | Have the seals replaced at your nearest Authorised Service Centre |
| | Safety valve tripped and discharging | Contact an Authorised Service Centre |
| Appliance noisy | Water too hot | Reduce temperature (see technical data) |
| Oil leakages | Seals worn | Contact your nearest Authorised Service Centre |
| TSS versions only: appliance starts even with gun trigger released | High pressure system or pump circuit not watertight | Contact your nearest Authorised Service Centre |
| TSS versions only: no water delivery when gun trigger is depressed (with supply hose connected) | Nozzle clogged | Clean nozzle |
| No detergent sucked in | Adjustable nozzle on high pressure setting | Set nozzle (E) on "■" setting Fig.4E |
| | Detergent too dense | Dilute with water |
| | High pressure hose extension being used | Fit original hose |
| | Deposits or restriction in detergent circuit | Flush with clean water and eliminate any restrictions. If the problem persists, contact an Authorised Service Centre |
| Water escapes from thermostat valve | Water temperature inside pump head has exceeded max. rated value stated on nameplate | With appliance in operation, do not stop the water jet for more than 5 minutes at a time |



ENVIRONMENT PROTECTION

Recycle unwanted materials instead of disposing of them as waste. All tools, accessories and packaging should be sorted, taken to a recycling centre and disposed of in a manner which is compatible with the environment. When the product becomes completely unserviceable and requires disposal, drain any fluids (if applicable) into approved containers and dispose of the product and fluids according to local regulations.



WEEE REGULATIONS

Dispose of this product at the end of its working life in compliance with the EU Directive on Waste Electrical and Electronic Equipment (WEEE). When the product is no longer required, it must be disposed of in an environmentally protective way. Contact your local solid waste authority for recycling information.

Note: It is our policy to continually improve products and as such we reserve the right to alter data, specifications and component parts without prior notice.

Important: No Liability is accepted for incorrect use of this product.

Warranty: Guarantee is 12 months from purchase date, proof of which is required for any claim.

Sealey Group, Kempson Way, Suffolk Business Park, Bury St Edmunds, Suffolk. IP32 7AR



01284 757500



sales@sealey.co.uk



www.sealey.co.uk