



# PRESSURE WASHER 25LTR 12V

MODEL NO: **PW2512**

Thank you for purchasing a Sealey product. Manufactured to a high standard, this product will, if used according to these instructions, and properly maintained, give you years of trouble free performance.

**IMPORTANT:** PLEASE READ THESE INSTRUCTIONS CAREFULLY. NOTE THE SAFE OPERATIONAL REQUIREMENTS, WARNINGS & CAUTIONS. USE THE PRODUCT CORRECTLY AND WITH CARE FOR THE PURPOSE FOR WHICH IT IS INTENDED. FAILURE TO DO SO MAY CAUSE DAMAGE AND/OR PERSONAL INJURY AND WILL INVALIDATE THE WARRANTY. KEEP THESE INSTRUCTIONS SAFE FOR FUTURE USE.



Refer to instructions



Wear eye protection

## 1. SAFETY

- WARNING! DO NOT** use the washer if any part of the unit, gun, nozzle, detergent bottle, hose or cables is damaged. *Replace or repair using genuine parts only. Unauthorised parts may be dangerous and will invalidate your warranty.*
  - ✓ Always check connections are correctly secured and not cracked or damaged in any way before using the machine.
  - ✓ Always be aware of the potential hazards that may occur during use. Study the applications and limitations of the washer before use.
  - ✓ Keep the washer in good condition. Use an authorised agent to service the unit.
  - ✓ Wear adequate protective clothing, goggles and anti-slip rubber soled footwear.
  - ✓ Use where air can freely circulate around the washer to avoid the machine over-heating.
  - WARNING!** Ensure all persons and animals keep at a minimum distance of 15m from the washer when in use.
  - WARNING!** The pressure washer must only be used with clean water. Non-filtered water or corrosive chemicals must not be used as they will damage the cleaner.
  - ✓ Release residual pressure before disconnecting hose.
  - ✓ Ensure the nozzle is aimed correctly at the working surface before activating the jet.
  - WARNING! DO NOT** use the washer on any material containing asbestos as this may release hazardous asbestos particles into the atmosphere.
  - \* **DO NOT** direct jet against yourself, other persons or animals, electrical equipment or the machine itself.
  - \* **DO NOT** use washer if you are tired or under the influence of alcohol, drugs or intoxicating medication.
  - \* **DO NOT** use the washer with flammable or toxic liquids or any other product. Only use recommended detergent. **(Sealey Detergent Model No's SCS001 - SCS006)** Non-recommended detergents may corrode the machine cover and accessories.
  - \* **DO NOT** connect other appliances to the machine inlet or outlet.
  - \* **DO NOT** move the unit by pulling the hoses or electrical cables. Use handle.
  - ✓ When not in use store in a frost proof, dry childproof location.
- NOTE:** This appliance can be used by children aged from 8 years and above and persons with reduced physical, sensory or mental capabilities or lack of experience and knowledge if they have been given supervision or instruction concerning use of the appliance in a safe way and understand the hazards involved. Children shall not play with the appliance. Cleaning and user maintenance shall not be made by children without supervision.

## 2. INTRODUCTION

Lightweight, portable pressure washer which can hold up to 25 litres of water. Ideal for washing many applications, especially where a mains power or water supply is not available, such as car shows, track days, window cleaning or even garden use. Unit is powered using a 3m cable fitted with a 12V vehicle accessory socket plug. Supplied with 8m hose, variable nozzle lance, detergent bottle and a long fixed brush. Detergent can also be added to the main tank which will allow a very good distribution of foam, making washing the car extremely simple and effective. Fitted with a strong carry handle.

## 3. SPECIFICATION

Model No: ..... **PW2512**  
 Capacity: ..... 25ltr  
 Hose Length: ..... 8m  
 Maximum Pressure: ..... 9bar/131psi  
 Motor Power: ..... 36W  
 Power Supply: ..... 12V  
 Water Flow Rate: ..... 180ltr/hr  
 Nett Weight: ..... 3.1kg



## 4. OPERATION

### 4.1. FILLING

4.1.1. Either fill tank (fig.3) with water and detergent or just water and use detergent bottle (fig.8), supplied.

4.1.2. ✓ Only use recommended detergent. (**Sealey Detergent Model No's SCS001 - SCS006**) Non-recommended detergents may damage the machine.

### 4.2. POWER SUPPLY

4.2.1. The washer is powered directly from the vehicle's 12V accessory socket.

4.2.2. Insert the accessory connector plug (fig.1) into the 12V accessory socket in the vehicle. It is advisable to leave the vehicle engine running whilst using the washer.

4.2.3. Close hose valve (fig.7) and disconnect the plug from the accessory socket when not in use.

### 4.3. PRESSURE WASHING

□ **WARNING!** Ensure the hose valve is closed before connecting the hose.

4.3.1. Connect the 8m hose to the outlet hose situated inside the tank via a push on coupling (fig.2).

4.3.2. To disconnect the hose, pull or push the connector ring in the direction of the arrows (fig.4) and pull the hose out.

4.3.3. To connect the spray gun, ensure the hose valve is closed (fig.7), then push the hose connector onto the gun (fig.5).

4.3.4. When connected, open the hose valve (fig.6) and the pump will start and build up initial pressure, then stop, until the trigger is pulled on the spray gun, to release the pressurised water. Release the trigger to stop the flow of water.

4.3.5. The spray pattern may be adjusted by rotating the collar (fig.5).

4.3.6. The unit is fitted with an automatic stop switch that will turn the pump off when the trigger is released.

4.3.7. Always close the hose valve (fig.7) before removing tools.

### 4.4. DETERGENT DISPENSER

4.4.1. To attach the detergent bottle, ensure the hose valve is closed (fig.7) and the detergent bottle switch is set to off (fig.9). Connect the hose onto the detergent bottle (fig.8).

4.4.2. The detergent bottle (fig.8) can be removed by unscrewing from the nozzle body.

4.4.3. When filled with appropriate detergent, (**Sealey Detergent Model No's SCS001 - SCS006**) screw the bottle in place.

4.4.4. The detergent flow is started by opening the hose valve (fig.6), then moving the control lever on the bottle (fig.9) either to the spray setting or the jet setting.

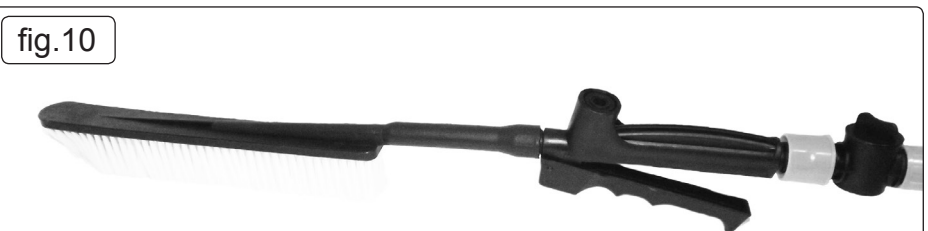
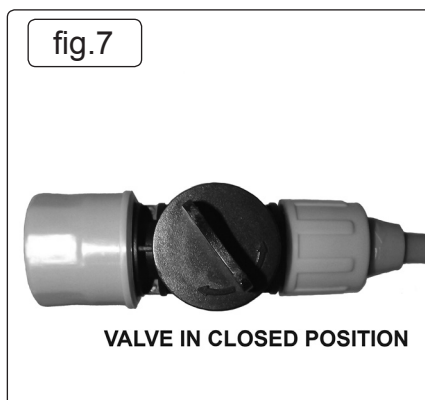
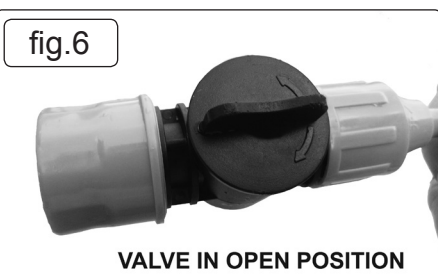
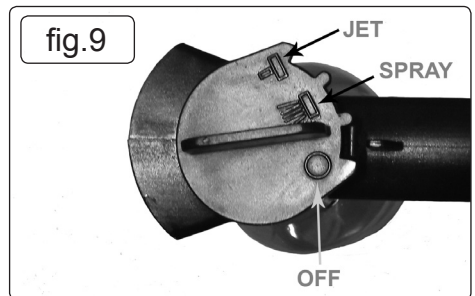
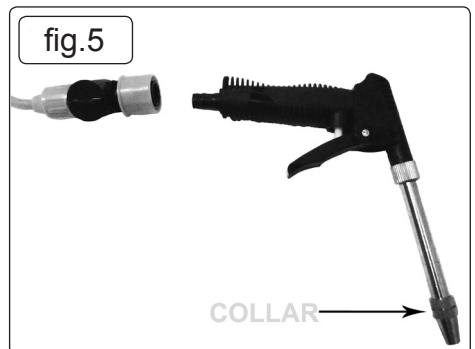
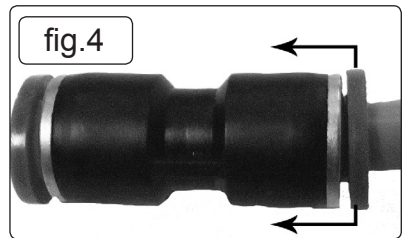
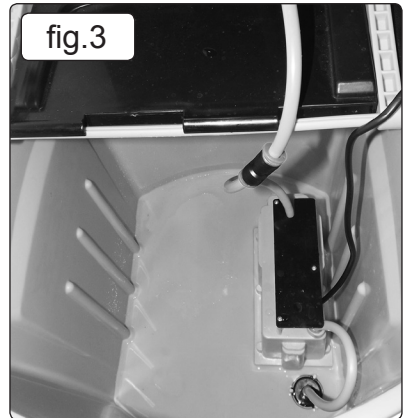
4.4.5. When the detergent has been exhausted, set control lever on the bottle to the off position, close the hose valve, remove the bottle, and refill with neat detergent.

### 4.5. BRUSH ATTACHMENT

4.5.1. Screw the brush handle onto the brush (fig.10). Ensure the hose valve is closed.

4.5.2. Attach the brush by pushing the hose connector onto the brush handle (fig.10).

4.5.3. Open the hose valve (fig.6) and pull the trigger on the brush, water will flow into the brush head.



Parts support is available for this product. Please log on to [www.sealey.co.uk](http://www.sealey.co.uk), email [sales@sealey.co.uk](mailto:sales@sealey.co.uk) or telephone 01284 757500



#### ENVIRONMENT PROTECTION

Recycle unwanted materials instead of disposing of them as waste. All tools, accessories and packaging should be sorted, taken to a recycling centre and disposed of in a manner which is compatible with the environment. When the product becomes completely unserviceable and requires disposal, drain any fluids (if applicable) into approved containers and dispose of the product and fluids according to local regulations.



#### WEEE REGULATIONS

Dispose of this product at the end of its working life in compliance with the EU Directive on Waste Electrical and Electronic Equipment (WEEE). When the product is no longer required, it must be disposed of in an environmentally protective way. Contact your local solid waste authority for recycling information.

**Note:** It is our policy to continually improve products and as such we reserve the right to alter data, specifications and component parts without prior notice.

**Important:** No Liability is accepted for incorrect use of this product.

**Warranty:** Guarantee is 12 months from purchase date, proof of which is required for any claim.

Sealey Group, Kempson Way, Suffolk Business Park, Bury St Edmunds, Suffolk. IP32 7AR



01284 757500



01284 703534



[sales@sealey.co.uk](mailto:sales@sealey.co.uk)



[www.sealey.co.uk](http://www.sealey.co.uk)