

SEALEY

PRESSURE WASHER WITH TSS & ROTABLAST® NOZZLE, 180BAR, 444L/HR, 2500W, 230V

MODEL NO: **PW2500.V3**

Thank you for purchasing a Sealey product. Manufactured to a high standard, this product will, if used according to these instructions, and properly maintained, give you years of trouble free performance.

IMPORTANT: PLEASE READ THESE INSTRUCTIONS CAREFULLY. NOTE THE SAFE OPERATIONAL REQUIREMENTS, WARNINGS & CAUTIONS. USE THE PRODUCT CORRECTLY AND WITH CARE FOR THE PURPOSE FOR WHICH IT IS INTENDED. FAILURE TO DO SO MAY CAUSE DAMAGE AND/OR PERSONAL INJURY AND WILL INVALIDATE THE WARRANTY. KEEP THESE INSTRUCTIONS SAFE FOR FUTURE USE.



Refer to instruction manual



Read the instructions before using the machine



Wear eye protection



Wear ear protection



Wear safety footwear



Wear protective clothing



DO NOT direct jet against yourself, other persons, animals, electrical equipment or the machine itself.

1. SAFETY

▲ CAUTION - READ THE INSTRUCTIONS BEFORE USING THE MACHINE

1.1. ELECTRICAL SAFETY

- WARNING!** It is the user's responsibility to check the following:
- ✓ Check all electrical equipment and appliances to ensure that they are safe before using. Inspect power supply leads, plugs and all electrical connections for wear and damage. Sealey recommend that an RCD (Residual Current Device) is used with all electrical products.
- Electrical safety information.** It is important that the following information is read and understood:
- ✓ Ensure that the insulation on all cables and on the appliance is safe before connecting it to the power supply.
- ✓ Regularly inspect power supply cables and plugs for wear or damage and check all connections to ensure that they are secure.
- Important:** Ensure that the voltage rating on the appliance suits the power supply to be used and that the plug is fitted with the correct fuse.
- ✗ **DO NOT** pull or carry the appliance by the power cable. **DO NOT** pull the plug from the socket by the cable.
- ✗ **DO NOT** use worn or damaged cables, plugs or connectors. If the cable or plug is damaged during use, switch off the electricity supply and remove from use. Cable must be replaced by the manufacturer, its service agent or similarly qualified persons in order to avoid a hazard.
- ✓ The Electric supply connection shall be made by a qualified electrician and comply with IEC 60364-1.
- ✓ It is recommended that the electric supply to this machine should include either a residual current device that will interrupt the supply if the leakage current to earth exceeds 30mA for 30ms or a device that will prove the earth circuit.
- WARNING!** Inadequate extension cords can be dangerous. If an extension cord is used, it shall be suitable for outdoor use, and the connection has to be kept dry and off the ground. It is recommended that this is accomplished by means of a suitably rated cord reel which keeps the socket at least 60mm above the ground.
- WARNING!** Always switch off the mains disconnecting switch when leaving the machine unattended.
- ✓ **Ensure that repairs are carried out by a qualified electrician.**

1.2. PRESSURE WASHER SAFETY

- ✓ Read the instructions fully before use. The manual forms an integral part of the appliance and should be kept for future reference. Please read it carefully before installing/using the unit. If the appliance is sold, the seller must pass on this manual to the new owner along with the appliance.
- WARNING! DO NOT** use the machine if a supply cord or important parts of the machine are damaged, e.g. Safety devices, high pressure hoses, trigger gun.
- ✓ This machine can be used by people with reduced physical, sensory or mental capabilities or lack of experience and knowledge if they have been given supervision or instruction concerning use of the machine in a safe way and understand the hazards involved.

1.2.1. PPE

- WARNING!** Wear appropriate personal protective equipment for the task in hand. Risk assess the task and select: safety boots, safety gloves, protective clothing, hearing protection as necessary.
- WARNING! Machine/high pressure cleaners, shall not be used by children or untrained personnel. Children should be supervised to ensure that they do not play with the machine.**
- WARNING!** High pressure jets may be dangerous if used incorrectly.
- WARNING! RISK OF EXPLOSION. DO NOT** use the appliance to spray flammable liquids. **DO NOT** use the appliance with flammable or toxic liquids, or any products which are not compatible with its correct operation. Use of the appliance in a potentially flammable or explosive atmosphere is forbidden.
- WARNING! HIGH PRESSURE JETS** can be dangerous if subject to misuse. The jet must not be directed at persons, live electrical equipment or at the unit itself.

1.2.2. HIGH PRESSURE HOSES

- WARNING! HIGH PRESSURE HOSES,** fittings and couplings are important for the safety of the machine. Use only hoses, fittings and couplings recommended by the manufacturer. The new hose-sets supplied with the appliance are to be used.
- WARNING!** To ensure machine safety, use only original spare parts from the manufacturer or approved by the manufacturer.
- ✗ **DO NOT** point the water jet at people or animals.
- ✗ **DO NOT** splash or wash the machine down.
- WARNING! ENSURE** that all people or animals keep a minimum distance of 15m.

- WARNING! DO NOT** use the appliance with people within its range of action unless they wear protective clothing.
 - WARNING! DO NOT** direct the jet at yourself or others in order to clean clothing or footwear.
 - DO NOT** use the appliance outdoors when it is raining.
 - DO NOT** touch the plug and/or socket with wet hands.
 - DO NOT** use the appliance if the electric cable is damaged. If the electric cable is damaged, it must be replaced by the manufacturer, one of its authorised Service Centres or similarly qualified persons in order to avoid a safety hazard.
 - DO NOT** use the appliance if a supply cable or important parts such as the safety devices, high pressure hoses, trigger or gun are damaged.
 - DO NOT** jam the trigger in the operating position.
 - Check that the data plate is affixed to the appliance; if not, inform your supplying stockist. Appliances without plates must NOT be used as they are unidentifiable and potentially dangerous.
 - DO NOT** tamper with or adjust the setting of the safety valve or the safety devices.
 - DO NOT** alter the original diameter of the spray head nozzle.
 - DO NOT** move the appliance by pulling on the electric cable. Use the handle and transport by use of the wheels.
 - DO NOT** allow vehicles to drive over the high pressure hose.
 - DO NOT** move the appliance by pulling on the high pressure hose.
 - WARNING!** Use the washer on a flat, level surface in an upright position. NEVER lay the washer down during use.
 - WARNING!** When directed towards tyres, tyre valves or other pressurised components, the high pressure jet is potentially dangerous. Always keep the jet at a distance of at least 30 cm during cleaning.
 - WARNING!** The use of non-original accessories and any other spare parts not specifically intended for the model in question is prohibited. All modifications to the appliance are prohibited.
 - WARNING!** Always turn off the switch when leaving the appliance unattended. The machine must be attended during operation.
 - WARNING!** High pressure may cause parts to rebound: wear all the protective clothing (PPE) and equipment needed to ensure the operator's safety.
 - WARNING!** Before performing maintenance, making adjustments to the appliance, converting to another function **ALWAYS** disconnect from mains supply and when replacing parts.
 - If the removal of the plug is foreseen, it shall be clearly indicated that the removal of the plug has to be such that an operator can check from any of the points to which he has access that the plug remains removed.
 - Supply hose must be reinforced and have an internal diameter of 1/2" (13mm).
 - Water supply must be equal to cleaner capacity. Water temperature must not exceed 60°C. Water supply pressure must be to Specification (see Specification section below.)
 - Only use where air can circulate freely, **DO NOT** block ventilation grilles.
 - WARNING!** Before pressing the trigger, GRIP the gun firmly to counteract the recoil.
- 1.2.3. **CONNECTING TO NON POTABLE WATER SUPPLIES**
- WARNING!** Comply with the local water supply authority regulations. The appliance may only be connected to the mains drinking water supply if the supply hose is fitted with a backflow preventer valve.
 - WARNING!** Water that has passed through a backflow preventer is considered to be non-potable.
 - WARNING!** Maintenance and/or repair of electrical components **MUST** be carried out by suitably qualified staff.
 - WARNING!** Discharge residual pressure before disconnecting the hose from the appliance.
 - WARNING!** Check before each use and at regular intervals that the screws are fully tightened and that there are no broken or worn parts.
- 1.2.4. **CLEANING AGENTS**
- WARNING!** This appliance is designed for use with the detergent supplied or recommended by the manufacturer. The use of other detergents or chemicals may adversely affect the appliance's safety.
- 1.2.5. **SAFETY DEVICES**
- Serve to protect the user and must not be modified.
- Power switch: prevents unintentional operation of the appliance.
- Lock trigger gun: This lock locks the lever of the trigger gun and prevents the inadvertent start of the appliance.
- Pressure switch: If the lever on the trigger gun is released the pressure switch turns off the pump, the high pressure jet is stopped. If the lever is pulled the pump is turned on again.
- Motor protection switch: The motor protection switches off the device if the power consumption is high.

2. INTRODUCTION

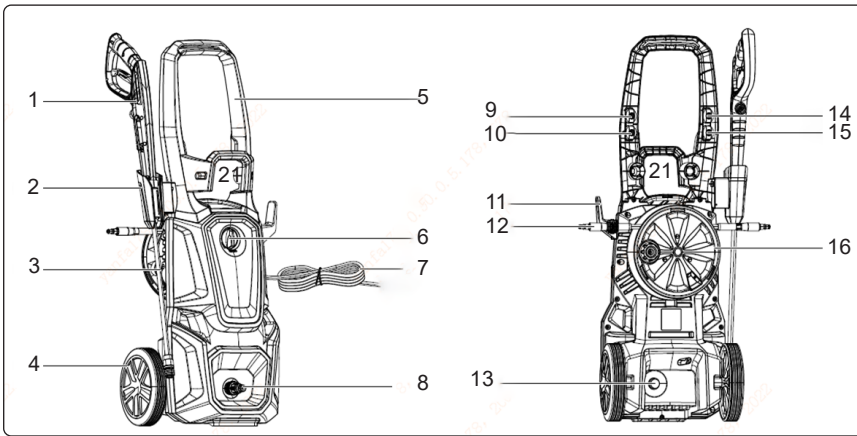
Professional, heavy-duty unit designed for extensive domestic and light commercial use. Fitted with a powerful 2500W motor with a 444L/hr water flow rate and a maximum pressure of 180bar. Automatic Total Stop System (TSS) which switches the motor on and off when the lance trigger is operated using less water and electricity and therefore prolonging the motor life. Self-priming inlet allows the suction of water from an external source. This is ideal in low pressure environments and gives the user greater flexibility when cleaning. Built-in hose reel and nozzle storage on the back of the unit with side-mounted lance holder ensuring the unit stays clutter-free and mobile. Supplied with 5m reinforced pressure hose, Rotablast® nozzle, snow foam gun and set of four interchangeable nozzles (0°, 15°, 25°, 40°). Manufactured with heavy-duty plastic wheels for transportation over rough terrain. Supplied with power cable fitted with 3-pin plug.

3. SPECIFICATION

Model No: PW2500.V3
 Fuse Rating: 13A
 Hose Length: 5m
 IP Rating: IPX5
 Maximum Inlet Pressure: 7bar(1.0MPa)(101psi)
 Maximum Pressure: 180bar(18MPa)(2610psi)
 Rated Pressure: 130bar(13MPa)(1885psi)
 Supply: 230V ~ 50Hz

Maximum Water Flow: 7.4L/m(444L/hr)
 Motor Power: 2500W
 Weight: 19.36kg
 Noise Level/Rating LwA Power/Pressure: 75/88dB(A)
 Nozzles: Rotablast®, Snow Foam Gun & 4pc Nozzle Set (0°, 15°, 25° & 40°)
 Power Supply Cable Length: 5m
 Water Flow Rate: 7L/m(420L/hr)

4. FEATURES



Item	Description	Item	Description
1	Trigger	11	Cord hook
2	Lance holder	12	High pressure hose
3	Sprayer lance	13	Water outlet
4	Wheel	14	Nozzle 25°
5	Handle	15	Nozzle 40°
6	On/Off switch	16	Hose reel
7	Power cord	17	No. not used
8	Water inlet	18	Foam sprayer
9	Nozzle 0°	19	Turbo nozzle
10	Nozzle 15°	20	Cleaning needle
		21	Detergent tank

Number
not used

17



18



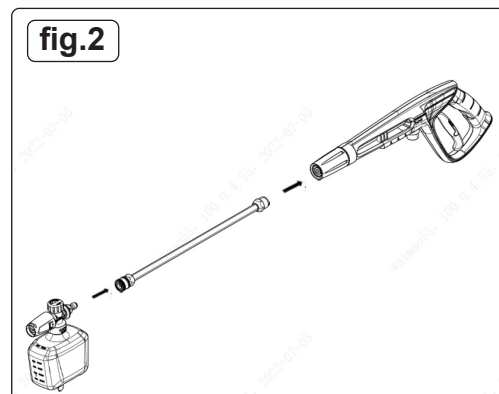
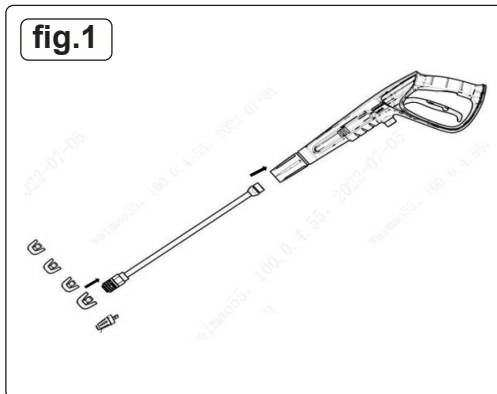
19



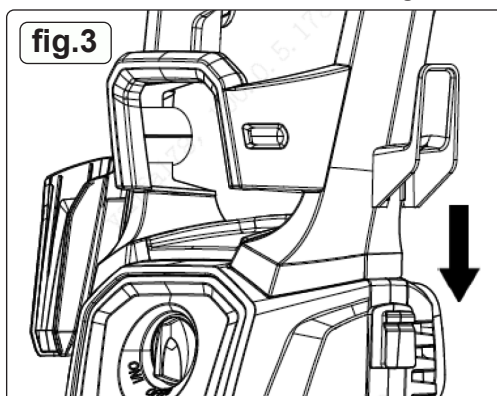
20

5. ASSEMBLY

- 5.1. Assemble loose parts before use.
 5.2. **INSTALL SPRAY WAND AND NOZZLE fig.1**
 5.2.1. Fit the spray wand into the gun and rotate it until the two parts are completely locked.

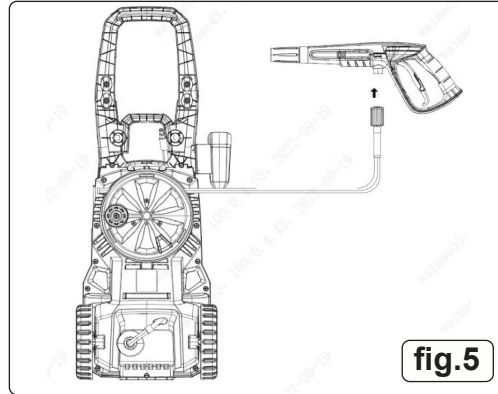
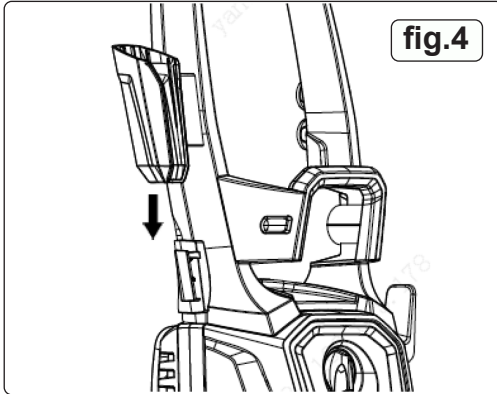


- 5.3. **INSTALL THE SNOW FOAM BOTTLE fig.2**



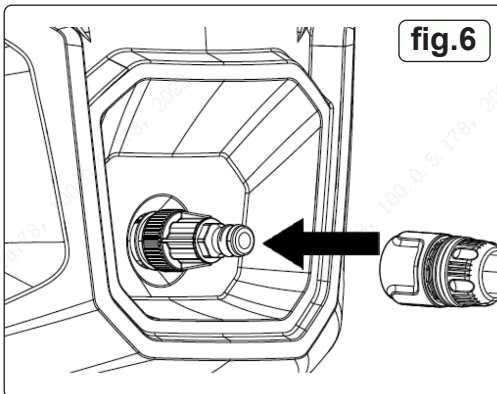
- 5.4. **SLIDE MAINS CABLE HOOK INTO POSITION fig.3**

5.5. FIT WAND HOLDER fig.4



5.6. CONNECT HOSE TO TRIGGER GUN fig.5

5.7. CONNECT GARDEN HOSE TO WATER INLET fig.6



6. PREPARATION

- 6.1. Site the washer on an even surface.
- 6.2. Connect to mains supply.

6.3. **WATER SUPPLY**

NOTE: Impurities in the water can damage the high pressure pump and accessories.

- 6.3.1. The pressure washer is best suited to work with a suction hose that meets the values in the Specification section, with a backflow valve, to draw in water from water butts or ponds.

6.4. **BLEED THE PRESSURE WASHER PRIOR TO OPERATION**

- 6.4.1. Turn on using OFF/ON switch.
- 6.4.2. Unlock the lever of the trigger gun.
- 6.4.3. Push the lever of the trigger gun, the device will switch on.
- 6.4.4. Let the device run (max. 2 minutes) until the water exits the trigger gun without bubbles.
- 6.4.5. Release the lever of the trigger gun.
- 6.4.6. Lock the lever of the trigger gun.

7. OPERATION

- WARNING!** Dry running of more than 2 minutes leads to damage of the high-pressure pump. If the appliance does not build up pressure within 2 minutes, switch the appliance off and proceed in accordance with the instructions in Chapter "Troubleshooting".

- 7.1. Keep a distance of at least 30 cm when using the jet for cleaning painted surfaces to avoid damage.
- 7.2. Make sure the ON/OFF switch is set to OFF position and insert the plug into a properly installed socket.
NOTE: The washer must be used on a secure and stable surface in a standing, upright position.
- 7.3. Connect the product to power and water supply as described above.
- 7.4. Turn on the water supply
- 7.5. Hold the spray gun with both hands.
- 7.6. Direct the nozzle with the chosen accessory away from you towards the surface to be cleaned.
- 7.7. Unlock the trigger and press it until a constant amount of water flows through the nozzle, to allow air trapped in the hose to escape.
- 7.8. Release the trigger.
- 7.9. Turn on the switch "OFF/ON".
- 7.10. Hold the spray gun with both hands. Direct the water jet to the object to be cleaned and press the trigger.
- 7.11. Release the lever of the trigger gun; the device will switch off again and stop the water jet. High pressure remains in the system.

- WARNING!** Beware of kickback when pressing the trigger.

- 7.12. Detergent can only be used when the device is operated in low pressure mode.

7.13. **OPERATION USING DETERGENT**

- WARNING!** When using detergents, the material data safety sheet issued by the detergent manufacturer must be adhered to, especially the instructions regarding personal protective equipment.

- 7.13.1. Remove the cap of the detergent bottle. Gently pull the onboard detergent tank out of its storage position, fig.6A.
- 7.13.2. Fill the tank with detergent designed specifically for use with pressure washers.
- 7.13.3. Push the detergent bottle with the opening pointing downwards into the connection, fig.2.

7.13.4. RECOMMENDED CLEANING METHOD

- 7.13.4.1. Spray the detergent sparingly on the dry surface and allow it to react, but not to dry.
- 7.13.4.2. Spray off loosened dirt.
- 7.13.4.3. Adjust the flow of detergent by turning the nozzle on the end.
- 7.13.4.4. After operation with detergent:
 - Remove the hose clean detergent bottle from the intake and close it with the lid.
 - For storage, put the detergent bottle into the retainer with the cap pointing up.

7.14. INTERRUPTING OPERATION

- 7.14.1. Release the lever of the trigger gun.
- 7.14.2. Lock the lever of the trigger gun.
- 7.14.3. Put the trigger gun with the spray lance into the parking position.
- 7.14.4. During longer breaks (more than 5 minutes), also turn the appliance off using the "OFF/ON" switch.

7.15. FINISH OPERATION

- 7.15.1. Release the lever of the trigger gun.
- 7.15.2. Turn off the appliance "OFF/ON".
- 7.15.3. Disconnect the mains plug from the socket.
- 7.15.4. Only separate the high-pressure hose from the trigger gun or the device when there is no pressure in the system.
- 7.15.5. **TURN OFF TAP**
- 7.15.6. Press the lever of the trigger gun to release any remaining pressure in the system.
- 7.15.7. Release the lever of the trigger gun. Lock the lever of the trigger gun.
 - ☐ **WARNING!** When disconnecting the supply or high pressure hose, water may leak from the connection after operation.
- 7.15.8. Remove the appliance from the water supply.

8. TRANSPORTATION

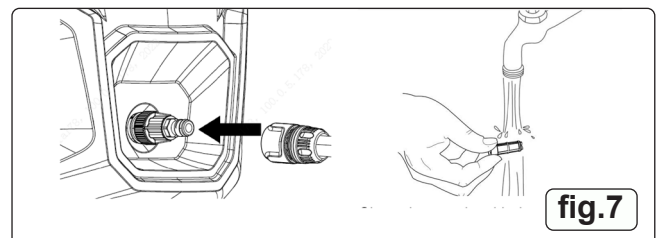
- ☐ **WARNING!** Risk of personal injury or damage! Mind the weight of the appliance during transport.
- 8.1. **WHEN TRANSPORTING BY HAND**
 - 8.1.1. Switch the product off and disconnect it from the water and power supply.
 - 8.1.2. Pull out the transport handle until it audibly snaps into place. Attach transportation guards, if applicable.
 - 8.1.3. Pull the appliance by its transport handle.
 - 8.2. **WHEN TRANSPORTING IN VEHICLES**
 - 8.2.1. Prior to horizontal transport: close the cap of clean detergent bottle.
 - 8.2.2. Tilt the product towards you until it balances on the wheels. Then move it by its transportation handle.
 - 8.2.3. Protect the product from any heavy impact or strong vibrations which may occur during transportation in vehicles.
 - 8.2.4. Secure the appliance against shifting and tipping over.

9. STORAGE

- ☐ **WARNING!** Risk of personal injury or damage! Consider the weight of the appliance when storing it.
- 9.1. Park the machine on an even surface.
 - 9.2. Detach spray lance from the trigger gun.
 - 9.3. Push the disconnect button on the trigger gun and pull the high-pressure hose out of the trigger gun.
 - 9.4. Place the trigger gun into the storage for the trigger gun.
 - 9.5. Put spray lance into the storage for the spray lance. Nozzle towards the bottom.
 - 9.6. Coil the high-pressure hose and hang it over the hose storage.
 - 9.7. Store the mains connection in the accessory compartment.
 - 9.8. Prior to extended storage periods, as during the winter, also observe the instructions in the care section.
 - 9.9. Always store the pressure cleaner, parts, and accessories in a place that is inaccessible to children.
 - 9.10. The ideal storage temperature is between 10 °C and 30 °C. Store the power washer indoors to prevent the water in the unit from expanding under freezing conditions.
 - 9.11. Use the original package for storage or covering the product with a suitable cloth or enclosure to protect it against dust.

9.12. FROST PROTECTION

- ☐ **WARNING!** Appliance and accessories that are not completely drained can be destroyed by frost.
- 9.12.1. Completely drain appliance and accessories and protect them against frost. To avoid damage:
 - 9.12.1.1. Detach the appliance from the water supply.
 - 9.12.1.2. Detach spray lance from the trigger gun.
 - 9.12.1.3. Turn on the appliance "ON/OFF".
 - 9.12.1.4. Push the lever of the trigger gun until no more water is escaping .
 - 9.12.1.5. Release the lever of the trigger gun.
 - 9.12.1.6. Lock the lever of the trigger gun.
 - 9.12.1.7. Turn off the appliance "ON/OFF".
 - 9.12.1.8. Store the appliance and the entire accessories in a frost free room.



10. MAINTENANCE

- ☐ **WARNING!** Remove from mains supply before performing Maintenance or making any adjustments.
- 10.1. **HIGH PRESSURE HOSE**
 - 10.1.1. The high pressure hose is specially constructed with reinforced walls it can be easily damaged and should be stored carefully.
 - × **DO NOT** kink.
 - × **DO NOT** drive vehicles over the hose.
 - × **DO NOT** expose the hose to sharp edges or corners. Misuse will lead to ballooning or premature failure and will invalidate warranty.
 - 10.2. **CLEAN THE SIEVE IN THE WATER CONNECTION REGULARLY fig.7.**
 - 10.2.1. Remove coupling from the water connection, **DO NOT** damage the sieve. Pull out using pliers and rinse with warm water to prevent any foreign matter from clogging the pump.
 - 10.2.2. Refit in reverse order, as above.

11. TROUBLESHOOTING

- ❑ **WARNING!** Risk of electric shock. Remove from mains supply before performing any care and maintenance work. Repair work and work on the electrical components may not only be performed by an authorized customer service. Rectify minor faults yourself with the help of the following overview. If in doubt, please consult the authorized customer service.

Symptom	Cause	Recommended action
Machine refuses to start	Machine not plugged in Defective socket Fuse has blown Defective extension cord	Plug in machine Try another socket. Replace fuse. Switch off other machines. Try without the extension cord.
Fluctuating pressure	Pump sucking air Valves dirty, worn out or stuck Pump seals worn out	Check that hoses and connections are airtight. Clean and replace or refer to local distributor Clean and replace or refer to local distributor
Machine stops	Incorrect mains voltage Thermal sensor activated Nozzle partially blocked	Check that the mains voltage corresponds to specification on the model tag. Leave the washer for 5 minutes to cool down. Clean the nozzle
Machine pulsating	Air in inlet hose Inadequate supply of mains water Nozzle partially blocked Water filter blocked Hose kinked	Allow machine to run with open trigger until regular working pressure resumes. Check that the water supply corresponds to specifications required NB! Avoid using long, thin hoses (min. 13mm/1/2"). Clean the nozzle / Clean the filter Straighten out hose.
Machine starts, but no water comes out	Pump/hoses or accessory frozen No water supply Water filter blocked /Nozzle blocked	Wait for pump/hoses or accessory to thaw. Connect inlet water. Clean the filter /Clean the nozzle.



WEEE REGULATIONS

Dispose of this product at the end of its working life in compliance with the EU Directive on Waste Electrical and Electronic Equipment (WEEE). When the product is no longer required, it must be disposed of in an environmentally protective way.

Contact your local solid waste authority for recycling information.



REGISTER YOUR PURCHASE HERE



ENVIRONMENT PROTECTION

Recycle unwanted materials instead of disposing of them as waste. All tools, accessories and packaging should be sorted, taken to a recycling centre and disposed of in a manner which is compatible with the environment. When the product becomes completely unserviceable and requires disposal, drain any fluids (if applicable) into approved containers and dispose of the product and fluids according to local regulations.

Note: It is our policy to continually improve products and as such we reserve the right to alter data, specifications and component parts without prior notice. Please note that other versions of this product are available. If you require documentation for alternative versions, please email or call our technical team on technical@sealey.co.uk or 01284 757505.

Important: No Liability is accepted for incorrect use of this product.

Warranty: Guarantee is 12 months from purchase date, proof of which is required for any claim.

Sealey Group, Kempson Way, Suffolk Business Park, Bury St Edmunds, Suffolk. IP32 7AR



01284 757500



sales@sealey.co.uk



www.sealey.co.uk