



# 135BAR HOT/COLD WATER PRESSURE WASHER 230V

MODEL NO: PW2000HW.V2

Thank you for purchasing a Sealey product. Manufactured to a high standard, this product will, if used according to these instructions, and properly maintained, give you years of trouble free performance.

**IMPORTANT:** PLEASE READ THESE INSTRUCTIONS CAREFULLY. NOTE THE SAFE OPERATIONAL REQUIREMENTS, WARNINGS & CAUTIONS. USE THE PRODUCT CORRECTLY AND WITH CARE FOR THE PURPOSE FOR WHICH IT IS INTENDED. FAILURE TO DO SO MAY CAUSE DAMAGE AND/OR PERSONAL INJURY AND WILL INVALIDATE THE WARRANTY. KEEP THESE INSTRUCTIONS SAFE FOR FUTURE USE.



Refer to instructions



Wear eye protection



Wear protective gloves



Wear protective clothing



Wear ear protection



Warning! Hot surface



Warning! Jet must not be directed at people, animals, live electrical equipment or the machine itself.



Not suitable for connection to potable water mains

## 1. SAFETY

### 1.1. ELECTRICAL SAFETY

- WARNING!** It is the user's responsibility to check the following:  
Check all electrical equipment and appliances to ensure that they are safe before using. Inspect power supply leads, plugs and all electrical connections for wear and damage. Sealey recommend that an RCD (Residual Current Device) is used with all electrical products. You may obtain an RCD by contacting your local Sealey stockist. If the product is used in the course of business duties, it must be maintained in a safe condition and routinely PAT (Portable Appliance Test) tested. Electrical safety information, it is important that the following information is read and understood. Ensure that the insulation on all cables and on the appliance is safe before connecting it to the power supply. Regularly inspect power supply cables and plugs for wear or damage and check all connections to ensure that they are secure. **Important:** Ensure that the voltage rating on the appliance suits the power supply to be used and that the plug is fitted with the correct fuse - see fuse rating in these instructions.
- DO NOT** pull or carry the appliance by the power cable.
- DO NOT** pull the plug from the socket by the cable.
- DO NOT** use worn or damaged cables, plugs or connectors. Ensure that any faulty item is repaired or is replaced immediately by a qualified electrician. This product is fitted with a BS1363/A 3 pin plug. If the cable or plug is damaged during use, switch off the electricity supply and remove from use. Ensure that repairs are carried out by a qualified electrician. Replace a damaged plug with a BS1363/A 3 pin plug. If in doubt contact a qualified electrician.
  - a) Connect the GREEN/YELLOW earth wire to the earth terminal 'E'.
  - b) Connect the BROWN live wire to the live terminal 'L'.
  - c) Connect the BLUE neutral wire to the neutral terminal 'N'.Ensure that the cable outer sheath extends inside the cable restraint and that the restraint is tight. Sealey recommend that repairs are carried out by a qualified electrician.



**DO NOT** inhale fumes

### 1.2. GENERAL SAFETY

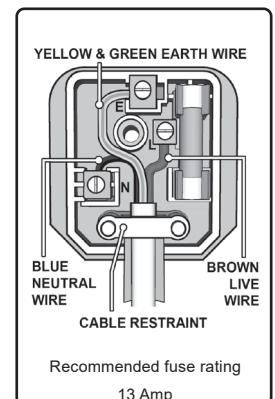
**IMPORTANT** Machine shall not be used by children. Children should be supervised to ensure they do not play with the machine.

**IMPORTANT** The machine has to operate with clean water in order to avoid any damage to the machine.

**IMPORTANT ALWAYS FLUSH** the machine through thoroughly with cold water after hot water use.

**IMPORTANT ALWAYS** release any stored water after use.

- WARNING!** This appliance is for outdoor use only. **DO NOT** use in a closed place where ventilation may be insufficient. **DO NOT** use indoors unless adequate ventilation is assessed by national labour authorities. Ensure that any exhaust emissions are NOT in the vicinity of air intakes.
- WARNING!** Must be attended during operation.
- WARNING!** Shall not be used by children or untrained personnel.
- WARNING!** To ensure machine safety, use only original spare parts from the manufacturer or approved by the manufacturer. Unauthorised parts may be dangerous and/or invalidate the warranty.
- WARNING!** Always disconnect electrical and water supply on completion of every job.
- WARNING! DO NOT** use if a supply cord or important parts of the machine are damaged, e.g. safety devices, high pressure hoses, trigger gun.
- WARNING!** If the supply cord is damaged it must be replaced by a qualified person and must be adequately rated.
- WARNING! DO NOT** use the machine if a supply cord or important parts of the machine are damaged e.g. safety devices, high pressure hoses, trigger or gun.
- WARNING!** The machine has been designed to be used with the detergent specified by the manufacturer. The use of other detergents may put the machine's safety at risk.
- WARNING!** Wear appropriate protective clothing: eye, ear, gloves and protective clothing. **DO NOT** use machine within range of people unless they wear protective clothing.
- WARNING!** Be aware that if the nozzle is directed towards mechanical parts containing lubricant/grease, as the grease will dissolve and spread over the surrounding ground.



Vehicle tyres/valves may only be cleaned from a minimum distance of 30cm, other the vehicle tyre/tyre valve could be damaged by the high pressure jet. The first indication of this is discolouration of the tyre.

Damaged vehicle tyres/tyre valves can be dangerous.

- ❑ **WARNING!** High pressure jets can be dangerous if subject to misuse. The jet **MUST NOT** be directed at persons, animals, live electrical equipment or the machine itself.
- ❑ **WARNING! DO NOT** direct the jet against yourself or others in order to clean clothes or footwear.
- ❑ **WARNING!** High pressure hoses, fittings and couplings are important for the safety of the machine. Use only hoses, fittings and couplings recommended by Sealey. Protect these components against damage by avoiding their improper use and protecting them against bending, knocks and scratches.
- ✗ **DO NOT** leave in standby for more than 5 minutes. Machine is fitted with Automatic Stop System.
- ✓ Switch Master switch to Off whenever it is left unattended.
- ✓ Take care to not damage the electric cable. if the supply cord is damaged it must be replaced by the manufacturer or their service agent or similarly qualified persons.
- ❑ **WARNING!** Machine has fluid under pressure. Keep a firm hold and be prepared to take the kickback pressure. Only use the high pressure nozzle supplied with the machine.
- ✗ **DO NOT** start without completely unwinding the high pressure hose. When winding/unwinding the hose take care that the machine does not over turn.
- ✓ Before winding/unwinding the hose switch the machine off and release the pressure in the hose.
- ▲ **DANGER** Risk of explosion **DO NOT** spray flammable liquids.
- ✗ **DO NOT** direct the jet against yourself or others in order to clean clothes or footwear.
- ❑ **WARNING!** Water that has passed through a back flow preventer is considered to be non-potable.
- ✓ Disconnect from the power supply during cleaning and maintenance.
- ❑ **WARNING!** Inadequate extension cords can be dangerous. If an extensions cord is used, it shall be suitable for outdoor use, and the connection kept dry and off the ground. It is recommended that this is accomplished by means of a cord reel which keeps the socket at least 60mm above the ground.
- ✗ **DO NOT** cover the unit.
- ✗ **DO NOT** use the machine during thunderstorms or when it is raining.
- ✗ **DO NOT** use the machine on flammable surfaces.
- ❑ **WARNING!** Never touch the machine with wet hands or bare feet.
- ✗ **DO NOT** pull the mains cable or machine in order to disconnect the plug from the socket.

### 1.3. SAFETY DEVICE

- ❑ **WARNING!** The gun is fitted with a safety catch. Whenever use of the machine is interrupted it is important to operate the safety catch to prevent accidental activation of the jet. The safety catch on the gun is not for locking the lever during operation but to prevent its accidental operation.
- ❑ **WARNING!** The machine is fitted with a motor protection device. In case of device intervention wait a few minutes or disconnect and reconnect to the mains supply. If the machine does not start again take it to an approved service agent.
- ✓ The machine must always be used/kept on a horizontal surface so that it remains safe and stable.

## 2. INTRODUCTION

Professional, heavy duty hot/cold water pressure washer designed for extensive domestic and light/heavy commercial use. Fitted with a heavy duty upgraded electric motor with a diesel water heater. Double motor (pump and burner) with three high durability steel pistons and aluminium axial pump. Vertical boiler with high efficiency steel coil and safety valve. Automatic temperature regulation. Features an ergonomic handle with accessory holder, detergent tank is built in for direct suction. Fitted with powerful 2100W motor with a 420ltr/hr water flow rate and a maximum pressure of 135bar. Features an automatic Total Stop System (TSS) which switches the motor and heater on and off when the lance trigger is operated, prolonging the motor life. Fitted with hose reel.

## 3. SPECIFICATION

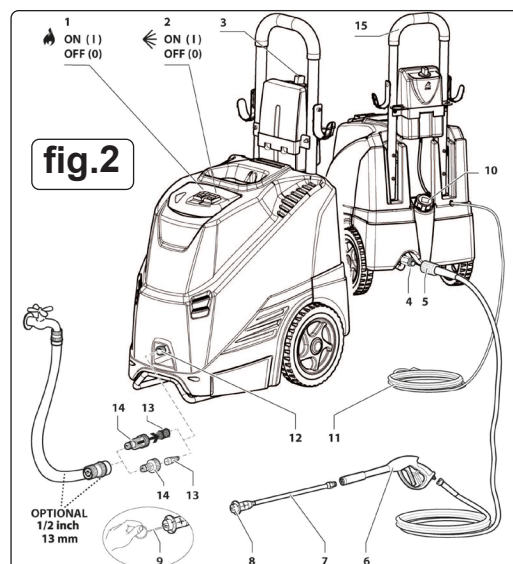
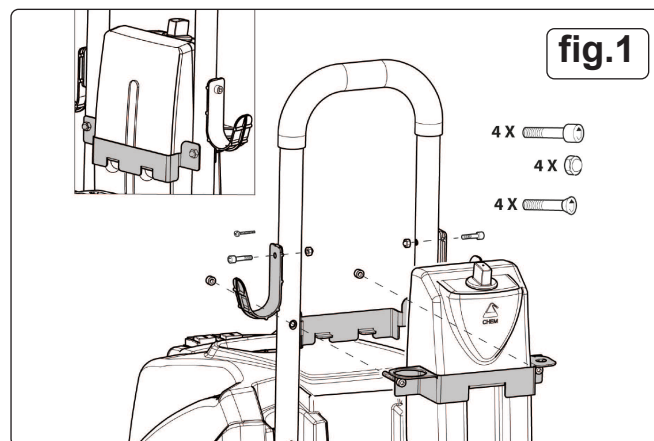
Model no .....	PW2000HW.V2
Detergent tank .....	Integrated
Effective cleaning power .....	135bar (1958psi)
Flow rate .....	420L/hr
Heating Fuel .....	Diesel (Tank Capacity 4.9L)
Hose length.....	8m
Motor power .....	2100W
Motor.....	Induction
Peak water temperature.....	80°C
Pump head.....	Aluminium Axial
Supply.....	230V
Vibration/Uncertainty .....	1.26/0.22 m/s <sup>2</sup>
Noise power/pressure .....	97/83dB(A)

## 4. ASSEMBLY

- 4.1. Fit handle, refer to fig.1.

## 5. FEATURES

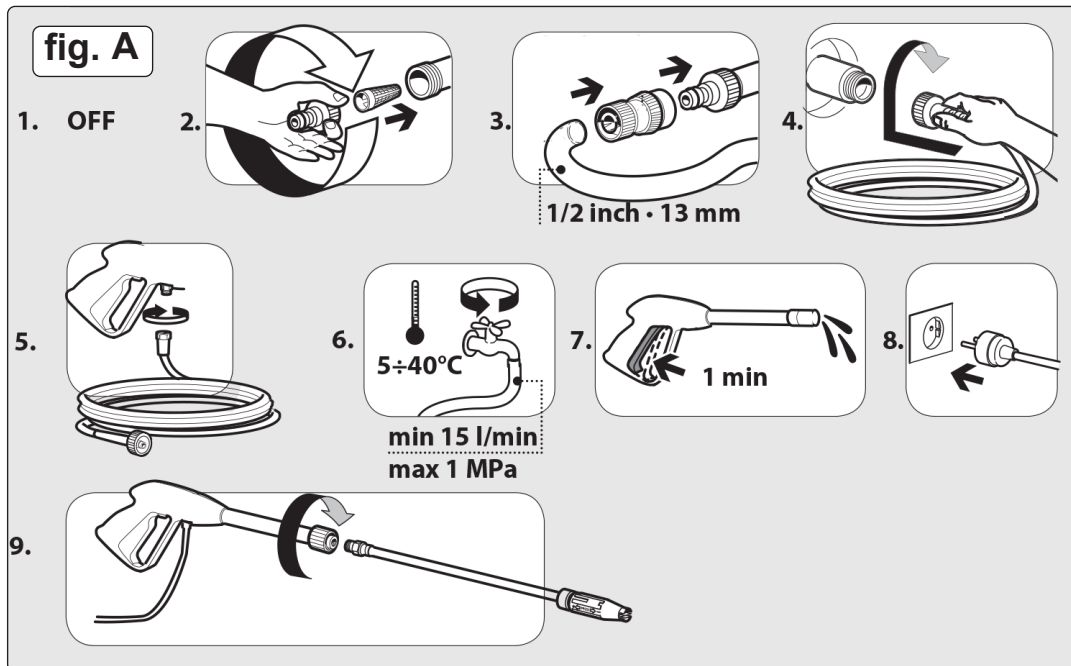
1. Burner switch 2. ON/OFF Electric pump switch 3. Detergent tank 4. Water outlet  
5. High pressure hose 6. Gun 7. Lance 8. Nozzle 9. Nozzle cleaning tool 10. Diesel tank  
11 Electric cable 12. Water inlet 13. Filter 14. Garden hose adaptor 15. Handle



## 6. INSTALLATION

Refer to fig. A

- 6.1. Check that the master switch is turned to OFF, A1 and the water filter is fitted into the pump's inlet pipe. Screw the snap connector into place, by hand, without the aid of tools, A2.
- 6.2. Connect the water supply hose to the snap connector. The hose must have an inside diameter of at least 1/2" (13mm), A3.
- 6.3. Connect the high pressure hose to the pump's outlet pipe. Press the high pressure hose coupling fully down and then screw into place by hand without the aid of tools, A4.
- 6.4. Connect the high pressure hose to the gun, A5.
- 6.5. Turn the water tap fully on. The water temperature MUST be below 40°C, A6.  
**IMPORTANT** The machine has to operate with clean water in order to avoid any damage to the machine.  
**IMPORTANT ALWAYS FLUSH** the machine through thoroughly with cold water after hot water use.  
**IMPORTANT ALWAYS** release any stored water after use.
- 6.6. Release the gun's safety catch and keep the trigger pressed, allowing water to flow until all the water has been expelled, A7.
- 6.7. Connect to the mains supply, A8.
- 6.8. Fit the lance into the gun, A9.



### 6.9. FILLING WITH FUEL

- 6.9.1. Fill with the correct fuel indicated on the data plate.

**IMPORTANT DO NOT** allow the machine to run out of fuel whilst running so as to not damage the fuel pump.

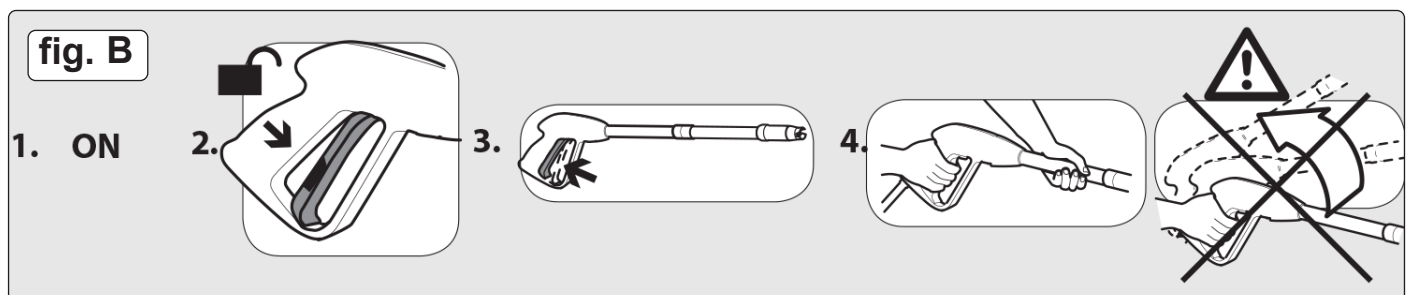
- WARNING!** Use of incorrect fuel is hazardous.

### 6.10. FILLING WITH DETERGENT

- 6.10.1. Fill the detergent tank with the correct product or the washing task being undertaken.

- WARNING!** Only use liquid detergent, NEVER acid or alkali products.

## 7. OPERATION



### 7.1. PRESSURE WASHING

- 7.1.1. Turn electric pump switch ON, see fig.2.2.
- 7.1.2. To wash with Hot water turn the Burner switch ON, see fig.2.1. The burner operates when the trigger is pressed.
- 7.1.3. Unlock lance, fig.B.2, pull trigger, fig.B.3, hold the lance steady with both hands, fig.B.4.

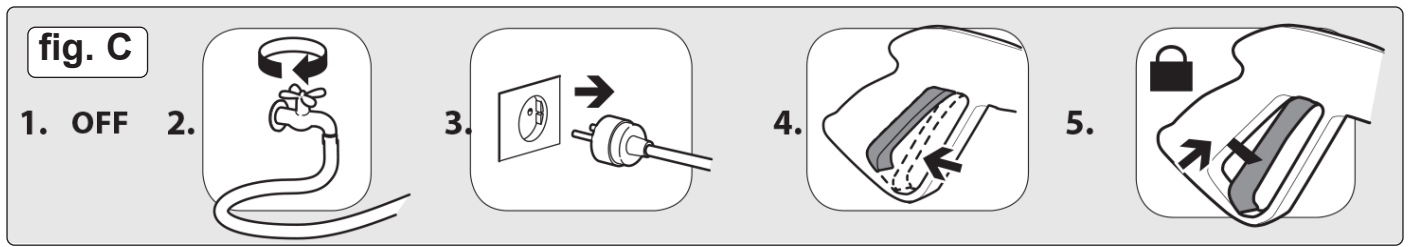
### 7.2. TURN MACHINE OFF

- 7.2.1. Turn off water supply, fig.C.4.
- 7.2.2. Disconnect from mains supply, fig.C.3.
- 7.2.3. Release trigger, fig.C.4 and apply trigger lock fig.C.5.

7.3. **AUTOMATIC STOP SYSTEM**

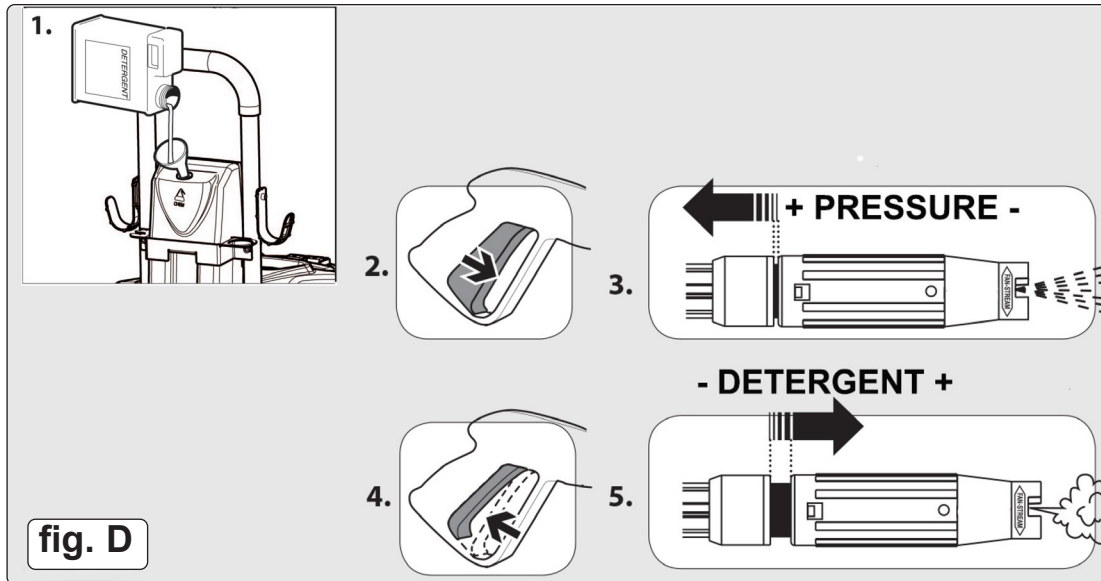
7.3.1. Automatic Stop system stops the machine during the bypass phase.

7.3.2. To start the machine it is necessary to set the switch, fig.2.2 to the on (I) 'ON' position. After that press the trigger. The Automatic Stop System will start the machine and will stop it automatically when the trigger is released. It is advisable to put on the trigger lock on the pistol trigger whenever the machine is stopped, in order to prevent unintentional starting.



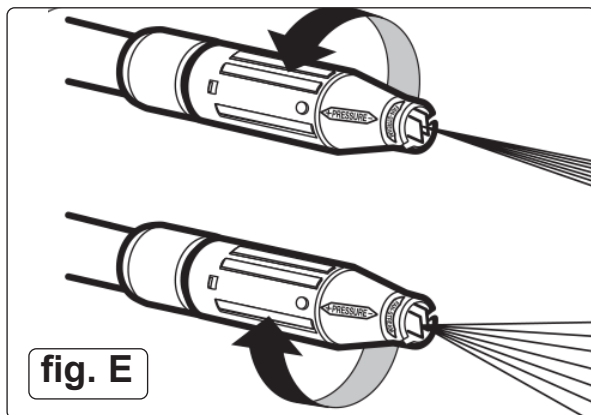
7.4. **DETERGENT SUCTION**

Refer to fig. D



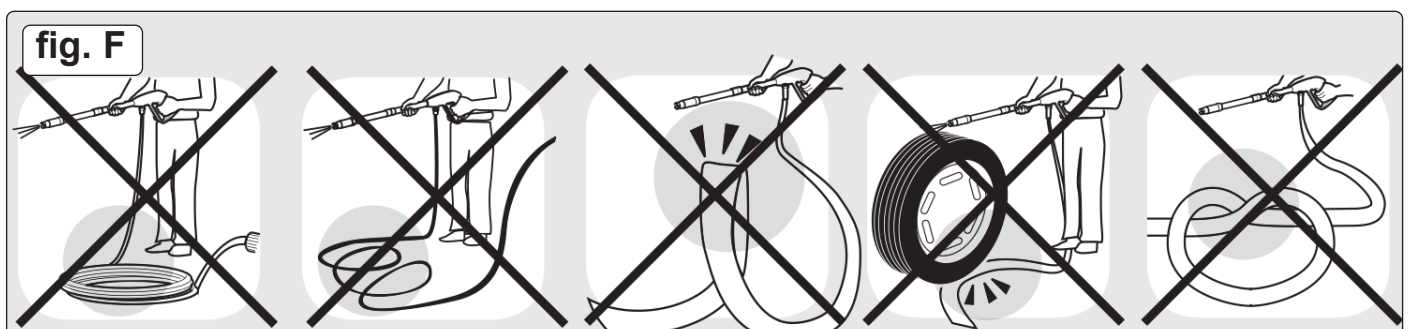
7.5. **HIGH PRESSURE LANCE**

7.5.1. Fan spray adjustment, see fig. E



7.6. **HIGH PRESSURE HOSE**

Refer to fig. F

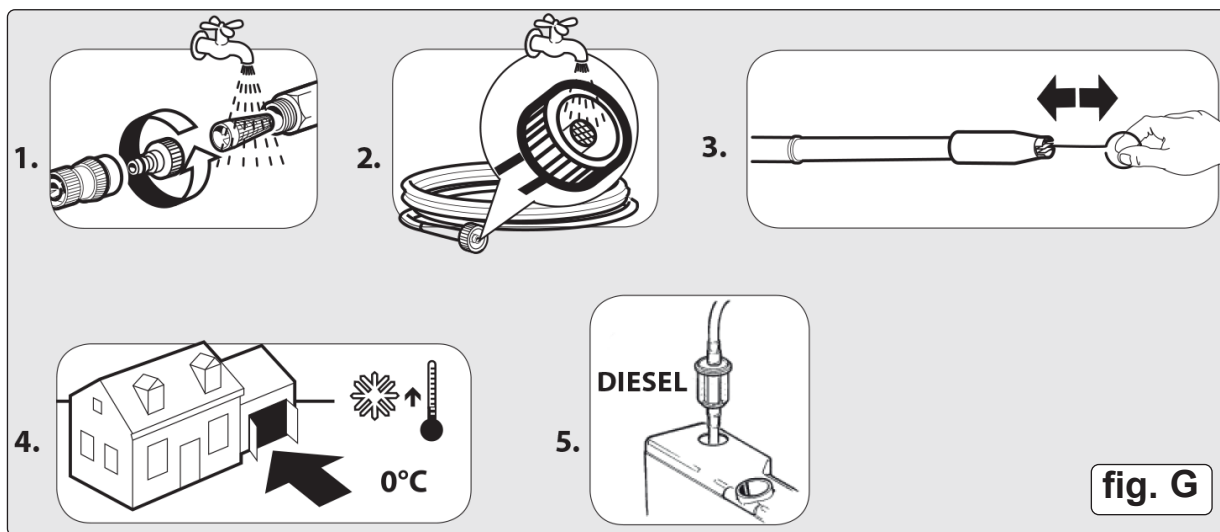


7.7.1. Connect a supply hose (not included) to the water inlet of the unit and to the water supply. Turn the water supply on.

- ❑ **WARNING!** The machine is not suitable for connection to the potable water mains. The machine can only be connected to the water mains, if the mains are separated from the mains from a backflow preventer.
- 7.7.2. Ensure that the hose is at least Ø13mm - 1/2 inch and that it is reinforced.
- ❑ **WARNING!** Water that has flowed through a backflow preventer is considered to be non-potable.
- IMPORTANT!** Only clean or filtered water should be used for intake. The delivery of the water intake tap should be equal to double of the maximum pump range.
  - : Minimum delivery rate 15ltr/min
  - : Maximum intake water temperature 40°C
  - : Maximum inlet water pressure 1Mpa
- 7.7.3. Place the cleaner as close to the water supply system as possible.
  - IMPORTANT!** The machine has to operate with clean water in order to avoid any damage to the machine.
  - IMPORTANT ALWAYS FLUSH** the machine through thoroughly with cold water after hot water use.
  - IMPORTANT ALWAYS** release any stored water after use.
- 7.8. **WATER SUPPLY FROM AN OPEN CONTAINER**
- 7.8.1. Unscrew the coupling part for the water inlet.
- 7.8.2. Screw the suction hose with filter (not included) onto the water connection of the unit.
- 7.8.3. Hang the filter in the container.
- 7.8.4. Vent the unit before operation:
  - unscrew the high pressure line at the high pressure outlet of the unit
  - switch on the unit and let it run until water free of bubbles emerges at the high pressure outlet.
  - Switch off the unit and screw on the high pressure hose again.
- IMPORTANT!** Failure to comply with the above conditions causes serious mechanical damage to the pump and loss of warranty cover.

## 8. MAINTENANCE

- ❑ **WARNING!** Disconnect the machine from the mains supply during Maintenance.
- ❑ **WARNING! DO NOT** spray the machine with water and **DO NOT** use aggressive solvents the machine could be damaged.
- 8.1. **CLEANING Refer to fig. G**
- 8.2. Clean the machine with a with a dry cloth.
- 8.2.1. Always keep the machine clean so that cooling air can pass through the slits without obstruction.
- 8.2.2. **Cleaning the water filter**
- 8.2.2.1. To ensure the pump gives good service it is extremely important to check and clean the water filter frequently. Use pliers to extract it from the pump, see fig.G.1, rinse it carefully in running water.
- 8.2.3. **Cleaning the nozzle**
- 8.2.3.1. A blockage may prevent the machine from working correctly, so it must be kept clean. Switch off the machine, see section 7.2, and remove the lance. Clean the nozzle with the pin provided. Rinse the lance in running water.



- 8.2.4. **Topping up the oil**
- 8.2.4.1. Use SAE 20W40 mineral oil. Quantity supplied: 70g.
- 8.2.5. Replacement of the metal fuel pipe is advisable after disassembly, to avoid fuel leakages.
- 8.3. **Recommended oil change interval**
- 8.3.1. Change the oil after 50 hours of use.

## 9. STORAGE

Refer to fig. G

- 9.1. Move the machine by using the carrying handle.
- 9.2. Store the machine and accessories in a frost free, child proof place.
- 9.3. Drain fuel and fluids before long term storage.

## 10. TROUBLESHOOTING

Fault	Probable cause	Solution
The pump does not start when the switch is pressed.	<p>The plug is not properly connected to the socket.</p> <p>The electrical socket is not working.</p> <p>The mains voltage is insufficient.</p> <p>The gauge of the electrical power lead is too small.</p> <p>The pump has cut out.</p>	<p>Connect the plug to the power socket correctly.</p> <p>Have the electrical socket checked.</p> <p>Check that the system is suitable.</p> <p>Refer to the section detailing the electrical connection.</p> <p>Turn the switch to ON while keeping the gun lever pressed;</p> <p>If the problem persists contact an authorised service centre.</p>
The machine starts but no water comes out.	<p>Pump, hoses or accessories frozen.</p> <p>No water supply.</p> <p>Water filter fouled.</p> <p>Nozzle fouled.</p>	<p>Allow the pump and hoses to thaw.</p> <p>Connect the machine to the water supply system and turn on the tap.</p> <p>Remove and clean the filter (see "MAINTENANCE" section).</p> <p>Remove the lance from the gun and clean the nozzle with the pin provided.</p>
The pump runs but pressurisation does not take place.	<p>Insufficient water.</p> <p>Suction filter fouled.</p> <p>Pressure regulator valve (if fitted) on minimum pressure setting.</p> <p>Lance nozzle worn.</p> <p>Suction or delivery valves fouled or worn.</p> <p>Nozzle jet blocked, causing too high pressure, pump cuts out.</p>	<p>Check that the delivery rate is at least 12 l/min.</p> <p>Remove and clean the filter (see "MAINTENANCE" section).</p> <p>Increase the pressure by turning the handgrip.</p> <p>Replace the lance.</p> <p>Contact an authorised service centre.</p> <p>Clean jet in nozzle with nozzle cleaning pin provided.</p>
Uneven working pressure.	<p>Lance nozzle fouled or dirty.</p> <p>Air in intake water.</p> <p>Suction filter fouled.</p> <p>Suction or delivery valves fouled or worn.</p> <p>Gaskets worn.</p> <p>Pressure regulator valve gaskets worn.</p>	<p>Remove the lance from the gun and clean the nozzle with the pin provided.</p> <p>Supply the machine with water correctly, refer to section 6.</p> <p>Remove and clean the filter (see "MAINTENANCE" section).</p> <p>Contact an authorised service centre.</p> <p>Contact an authorised service centre.</p> <p>Contact an authorised service centre.</p>
The motor stops suddenly.	<p>Machine's safety overload cutout has been tripped.</p> <p>The gauge of the electrical power lead is too small.</p>	<p>Allow the motor to cool for a few minutes. If the problem persists contact an authorised service centre.</p> <p>Refer to the section detailing the electrical connection.</p>
Water leaks from the machine.	<p>Leaks from hose reel (if used).</p> <p>Leaks from intake coupling.</p> <p>Leaks from pump.</p>	<p>Tighten the couplings; if the problem persists contact an authorised service centre.</p> <p>Make sure that the coupling has been fitted correctly (See illustrations in the "INSTALLATION" section).</p> <p>Contact an authorised service centre.</p>
Abnormal noise.	<p>Suction filter fouled.</p> <p>Intake water temperature too high.</p> <p>Suction or delivery valves fouled or worn.</p> <p>Bearings worn.</p>	<p>Remove and clean the filter (see "MAINTENANCE" section).</p> <p>Reduce the temperature below 40°C.</p> <p>Contact an authorised service centre.</p> <p>Contact an authorised service centre.</p>
Water in the oil.	<p>O-ring seals worn.</p>	<p>Contact an authorised service centre.</p>
The machine restarts with the gun released.	<p>Water leak from hose - gun connection (except models with hose and gun supplied ready connected).</p> <p>Air in intake water.</p> <p>Water leak from the gun.</p> <p>Water leak from the pump.</p>	<p>Tighten the connection with 2 spanners.</p> <p>Supply the machine with water correctly, refer to section 6.</p> <p>Contact an authorised service centre.</p> <p>Contact an authorised service centre.</p>
The machine does not suck in the detergent.	<p>Tank empty.</p> <p>Lance handgrip is on high pressure setting (if present).</p> <p>Transparent suction pipe damaged or disconnected.</p>	<p>Fill the tank.</p> <p>Move it to the low pressure setting by pulling the lever towards the nozzle.</p> <p>Reconnect the pipe. If the problem persists contact an authorised service centre.</p>

Turning on the burner switch the boiler does not start.	<p>No fuel</p> <p>Fuel filter is clogged</p> <p>Fuel pump is either blocked or burnt out</p> <p>Damaged thermostat</p> <p>Ignition spark insufficient or totally lacking</p> <p>The space among the electrodes is not correct</p>	<p>Check the level in the tank and check whether the rigid suction pipe is clean</p> <p>Replace the line filter</p> <p>Replace it.</p> <p>Replace it.</p> <p>Contact an authorised service centre.</p> <p>Contact an authorised service centre.</p>
---	---	---



**WEEE REGULATIONS**

Dispose of this product at the end of its working life in compliance with the EU Directive on Waste Electrical and Electronic Equipment (WEEE). When the product is no longer required, it must be disposed of in an environmentally protective way. Contact your local solid waste authority for recycling information.



**ENVIRONMENT PROTECTION**

Recycle unwanted materials instead of disposing of them as waste. All tools, accessories and packaging should be sorted, taken to a recycling centre and disposed of in a manner which is compatible with the environment. When the product becomes completely unserviceable and requires disposal, drain any fluids (if applicable) into approved containers and dispose of the product and fluids according to local regulations.

**Note:** It is our policy to continually improve products and as such we reserve the right to alter data, specifications and component parts without prior notice. Please note that other versions of this product are available. If you require documentation for alternative versions, please email or call our technical team on [technical@sealey.co.uk](mailto:technical@sealey.co.uk) or 01284 757505.

**Important:** No Liability is accepted for incorrect use of this product.

**Warranty:** Guarantee is 12 months from purchase date, proof of which is required for any claim.



**Sealey Group, Kempson Way, Suffolk Business Park, Bury St Edmunds, Suffolk. IP32 7AR**



**01284 757500**



**01284 703534**



**[sales@sealey.co.uk](mailto:sales@sealey.co.uk)**



**[www.sealey.co.uk](http://www.sealey.co.uk)**