



100BAR PRESSURE WASHER WITH TSS & ROTABLAST® NOZZLE

MODEL NO: **PW1610**

Thank you for purchasing a Sealey product. Manufactured to a high standard, this product will, if used according to these instructions, and properly maintained, give you years of trouble free performance.

IMPORTANT: PLEASE READ THESE INSTRUCTIONS CAREFULLY. NOTE THE SAFE OPERATIONAL REQUIREMENTS, WARNINGS & CAUTIONS. USE THE PRODUCT CORRECTLY AND WITH CARE FOR THE PURPOSE FOR WHICH IT IS INTENDED. FAILURE TO DO SO MAY CAUSE DAMAGE AND/OR PERSONAL INJURY AND WILL INVALIDATE THE WARRANTY. KEEP THESE INSTRUCTIONS SAFE FOR FUTURE USE.



Refer to instructions



Wear eye protection



Wear protective gloves



Wear safety footwear



Wear protective clothing



Wear ear protection



DO NOT drink water from pressure washer



DO NOT direct jet against yourself, other persons, animals, electrical equipment or the machine itself

1. SAFETY

1.1. ELECTRICAL SAFETY

- ❑ **WARNING!** It is the user's responsibility to check the following:
Check all electrical equipment and appliances to ensure that they are safe before using. Inspect power supply leads, plugs and all electrical connections for wear and damage. Sealey recommend that an RCD (Residual Current Device) is used with all electrical products. You may obtain an RCD by contacting your local Sealey Stockist.

If the product is used in the course of business duties, it must be maintained in a safe condition and routinely PAT (Portable Appliance Test) tested.

Electrical safety information, it is important that the following information is read and understood.

- 1.1.1. Ensure that the insulation on all cables and on the appliance is safe before connecting it to the power supply.
- 1.1.2. Regularly inspect power supply cables and plugs for wear or damage and check all connections to ensure that they are secure.
- 1.1.3. **Important:** Ensure that the voltage rating on the appliance suits the power supply to be used and that the plug is fitted with the correct fuse - see fuse rating in these instructions.

- × **DO NOT** pull or carry the appliance by the power cable.
- × **DO NOT** pull the plug from the socket by the cable. Remove the plug from the socket by maintaining a firm grip on the plug.
- × **DO NOT** use worn or damaged cables, plugs or connectors. Ensure that any faulty item is repaired or replaced immediately by a qualified electrician.

- 1.1.4. This product is fitted with a BS1363/A 3 pin plug.

If the cable or plug is damaged during use, switch the electricity supply and remove from use.

Replace a damaged plug with a BS1363/A 3 pin plug. If in doubt contact a qualified electrician.

Class II products are wired with live (brown) and neutral (blue) only, and are marked with the Class II symbol. 

A) Connect the BROWN live wire to the live terminal 'L'.

B) Connect the BLUE neutral wire to the neutral terminal 'N'.

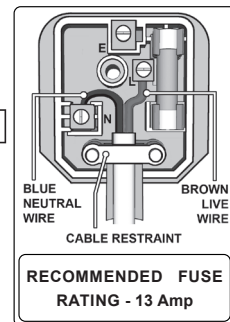
C) After wiring, check that there are no bare wires and ensure that all wires have been correctly connected.

Ensure that the cable outer sheath extends inside the cable restraint and that the restraint is tight.

- × **DO NOT** connect either wire to the earth terminal.
Sealey recommend that repairs are carried out by a qualified electrician.

1.2. GENERAL SAFETY

- ❑ **WARNING!** Water and electricity are dangerous partners. Be extremely cautious and ALWAYS be aware that this device uses an electric motor. Always plug into a RCD (See electrical safety above). Unplug from mains before changing accessories or servicing.
- ✓ The appliance can be used for washing surfaces outdoors, whenever pressurised water is required to remove dirt.
- ✓ This appliance is for outdoor use only.
- ✓ Ensure you comply with all local water supply regulations. Power washers may only be connected to mains water supply if a check valve is installed in the supply hose, or at the tap outlet.
- ✓ The supply hose must be reinforced, and have an internal diameter of 1/2". The water supply must be at least equal to the cleaner capacity. The water temperature must NOT exceed 122°F (50°C). The water supply pressure must NOT exceed 6 bar (90psi).
- ✓ Always be aware of the hazards that may occur during use. Study all applications and limitations of the washer before use.
- ✓ Use where air can freely circulate around the washer to avoid the machine overheating.
- × **DO NOT** obstruct ventilation grilles during operation.
- ✓ Position the washer as near to the water supply as possible.
- ❑ **WARNING:** Always disconnect the electricity and water supplies on completion of every job and before performing maintenance.
- ❑ **WARNING! DO NOT** use the washer if any part of the unit, gun, nozzle, detergent tank, hose or cables is damaged. Replace or repair using genuine parts only. Unauthorised parts may be dangerous and will invalidate your warranty. Always check connections are correctly secured and not cracked or damaged in any way before using the machine.
- ❑ **WARNING:** This appliance has been designed for use with the detergent specified by the manufacturer. The use of other detergents or chemicals may put the appliance's safety at risk.
- ❑ **WARNING!** Ensure all persons and animals keep at a minimum distance of 15m from the washer when in use. All persons within 15m shall wear appropriate P.P.E.
- ✓ Wear adequate protective clothing, goggles and anti-slip rubber soled footwear.
- × **DO NOT** touch the plug and the appliance with wet hands or when barefoot.
- × **DO NOT** direct the nozzle toward mechanical parts containing lubricant grease, as the grease will dissolve and spread over the surrounding ground. Vehicle tyres/tyre valves may only be cleaned from a minimum distance of 30 cm, otherwise the



vehicle tyre/ tyre valve could be damaged by the high-pressure jet. The first indication of this is a discolouration of the tyre. Damaged vehicle tyres/tyre valves can be deadly.

- WARNING:** High pressure jets can be dangerous if subject to misuse. The jet must not be directed at persons, animal, live electrical equipment or the machine itself.
 - WARNING!** The high pressure jet will cause loose particles to be propelled at high speed, which may cause serious injury.
 - WARNING:** High pressure hoses, fittings and couplings are important for the safety of the machine. Use only hoses, fittings and couplings recommended by the manufacturer. (it is extremely important to protect these components against damage by avoiding their improper use and protecting them against bending, knocks and scratches).
 - ✓ The appliance can be used for washing surfaces outdoors, whenever pressurised water is required to remove dirt.
 - WARNING:** This appliance is equipped with T.S.– Total Stop : these appliances should not be left in standby for more than 5 minutes.
 - WARNING! DO NOT** operate the machine without a water supply. Dry running can seriously damage the unit.
 - ✓ Switch the appliance off completely (master switch on (0) OFF) whenever it is left unattended.
 - ✓ Every machine is tested in its operating conditions, so it is normal for a few drops of water to be left inside it.
 - ✓ Take care not damage the electric cable. If the supply cord is damaged, it must be replaced by the manufacturer, its service agent or similarly qualified persons in order to avoid a hazard
 - ✗ **DO NOT** move the unit by pulling the hoses or electrical cables. Use the handle.
 - ✓ Appliance with fluid under pressure. Keep a firm hold on the gun and be prepared to take the kickback pressure. Only use the high pressure nozzle provided with the appliance.
 - ✓ Children should be supervised to ensure that they **DO NOT** play with the appliance.
 - ✗ **DO NOT** start the high-pressure cleaner without first completely unwinding the high-pressure hose.
 - WARNING:** When winding and unwinding the hose take care not to cause the high-pressure cleaner to overturn.
 - ✓ Before unwinding or winding the hose, switch the machine off and release the pressure in the hose itself (switching off).
 - ✗ **DO NOT** use the washer with flammable or toxic liquids or any other product. Use only recommended detergent. Unapproved detergents may corrode the machine cover and accessories.
 - ✗ **DO NOT** spray flammable liquids risk of explosion.
 - ✗ **DO NOT** direct the jet against yourself or others in order to clean clothes or footwear.
 - WARNING:** Water that has flowed through backflow preventer's is considered to be non potable.
 - WARNING!** The pressure washer must only be used with clean water. Unfiltered water or corrosive chemicals must not be used as these will damage the cleaner.
 - WARNING:** Improper extension cables can be dangerous. If an extension cord is used, it must be suitable for outdoor use, and the connection must be kept dry and clear of the ground. It is recommended that this be done using a cable reel that holds the plug at least 60 mm from the ground.
 - ✓ If an extension cord is used, the plug and socket must be of watertight construction.
 - ✓ If, during operation, power failure occurs turn the electricity and water off for safety reasons.
 - WARNING:** During the use of high pressure cleaners, aerosols may form. Inhalation of aerosols can be dangerous to health.
 - WARNING:** Depending on the application, shielded nozzles can be used for high pressure cleaning, which will drastically reduce the emission of hydrated aerosols. However, not all applications allow the use of such a device. If the armoured nozzles are not applicable for aerosol protection, a respiratory mask of class FFP 2 or equivalent may be necessary, depending on the cleaning environment.
 - WARNING:** the gun is fitted with a safety catch.
 - ✓ Whenever use of the machine is interrupted it is important to operate the safety catch to prevent accidental activation of the jet.
 - ✓ Safety features: gun equipped with safety locking device, appliance equipped with (Class I) overload cut out, pump equipped with by-pass valve or shutdown device.
 - ✓ The safety button on the gun is not there to lock the lever during operation, but to prevent its accidental operation.
 - ✓ Ensure the nozzle is aimed correctly at the work surface before switching on the machine.
 - ✓ Before activating the trigger, grip the gun firmly to counteract the recoil from the high pressure water jet.
 - WARNING!** Avoid sudden bursts of water as these will cause water pressure to drop and put extreme pressure on hoses and connectors.
 - WARNING:** The appliance is equipped with a motor protection device: in case of device intervention, wait some minutes or, in alternative, disconnect and re-connect the product to the electric system. In case this problem repeats again or if the product does not start again, take the product to the nearest After Sales Service Point
 - WARNING:** The machine must be always kept on horizontal bases, in a safe and stable way.
 - WARNING!** Use washer on a flat, levelled surface, in an upright position. Failure to do so will invalidate your warranty.
 - ✗ **NEVER** lay the washer down during use.
 - ✗ **DO NOT** adjust any internal control valves, as they have been factory set.
 - ✗ **DO NOT** connect other appliances to the machine inlet or outlet.
 - ✗ **DO NOT** use hoses and fittings other than those designed for use with this machine.
 - ✗ **DO NOT** touch plug with wet hands. To avoid the risk of electrocution keep all connections dry and off the ground.
 - ✗ **DO NOT** use washer if you are tired or under the influence of alcohol, drugs or intoxicating medication.
 - ✗ **DO NOT** allow children or untrained persons to operate the washer.
 - WARNING!** Discharge residual pressure before disconnecting the washer hose. Pressure left in unit may cause injury.
 - ✓ After use, disconnect washer from electrical mains and water supply and store in a safe, dry, childproof area.
 - ✓ Protect from freezing conditions during winter.
 - ✓ Always use the appliance at the lowest pressure setting when cleaning in the vicinity of wheels and tyres.
- NOTE:** This appliance is not intended for use by persons (including children) with reduced physical, sensory or mental capabilities or lack of experience and knowledge, unless they have been given supervision or instruction concerning the use of the appliance by a person responsible for their safety. Children should be supervised to ensure that they **DO NOT** play with the appliance.

2. INTRODUCTION

Ideal for cleaning vehicles, machinery, as well as patios and other outdoor surfaces. Quick release nozzle system allows for fast selection between fan and Rotablast® nozzle. Pressure gun includes lock to avoid accidental start. 1200W motor produces up to 100bar of pressure with an impressive 390L/hr flow rate. Automatic Total Stop System (TSS) which switches the motor on and off when the trigger is operated, prolonging motor life. Self-priming motor can be used with a still water source for maximum portability. Supplied with 5m pressurized hose for ease of use and 5m power cable for extended reach. Includes lance accessory suitable for snow foam and detergent.

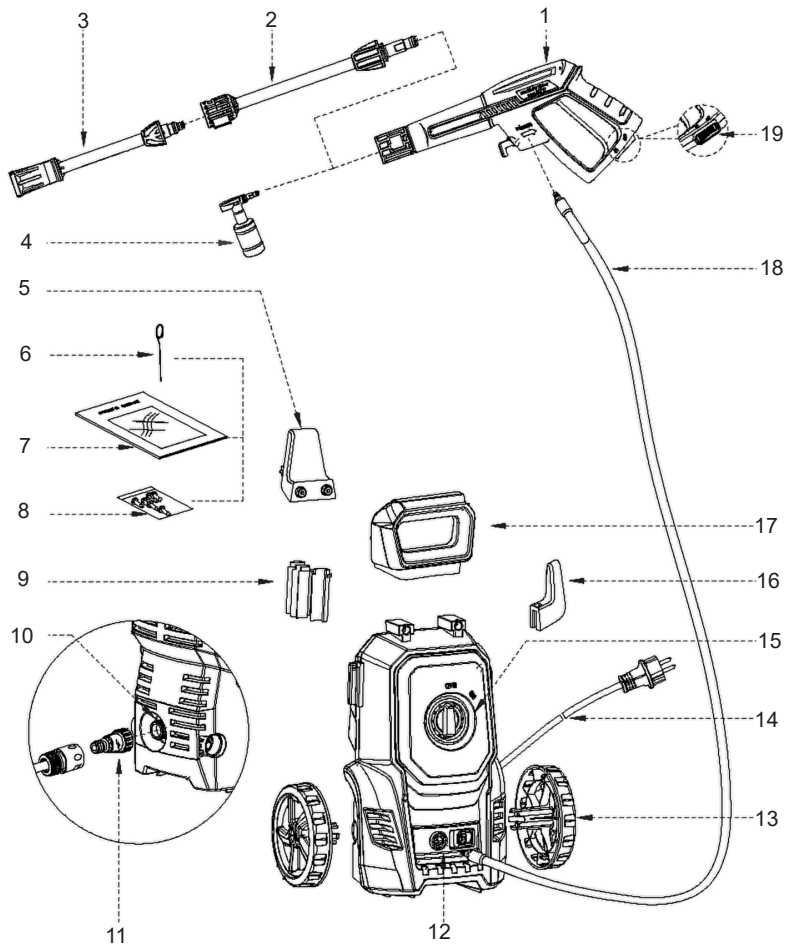
3. SPECIFICATION

MODEL NO:..... **PW1610**
 Effective Cleaning Power: 100bar
 Hose Length:..... 5m
 IP Rating: IPX5
 Maximum Inlet Pressure: 1.2bar
 Maximum Pressure: 100bar(1450psi)
 Maximum Water Flow:..... 390L/hr
 Motor Power:..... 1200W
 Nozzles: Rotablast® and Fan
 Peak Water Temperature: 50°C
 Rated Pressure: 70bar(1015psi)
 Rotablast Nozzle®: 160bar
 Supply: 240V
 Vibration value: 2.089 m/s²
 Uncertainty:..... 1.5 m/s²
 Noise Power:..... 89.8 dB(A) L_{WA}
 Noise Pressure: 76.9 dB(A) L_{PA}
 Water Flow Rate: 5.5L/6.5L/min



4. CONTENTS

Item No.	Description
1	Wand
2	Middle extension lance
3	Adjustable nozzle
4	Detergent Bottle
5	High pressure hose hook
6	Cleaning pin
7	Manual
8	Screws package
9	Gun holder
10	Water inlet pipe
11	Water inlet connector
12	Water outlet pipe
13	Wheel
14	Power cord
15	ON/OFF switch
16	Power Cable Hook
17	Short handle
18	High pressure hose
19	Lock-off switch

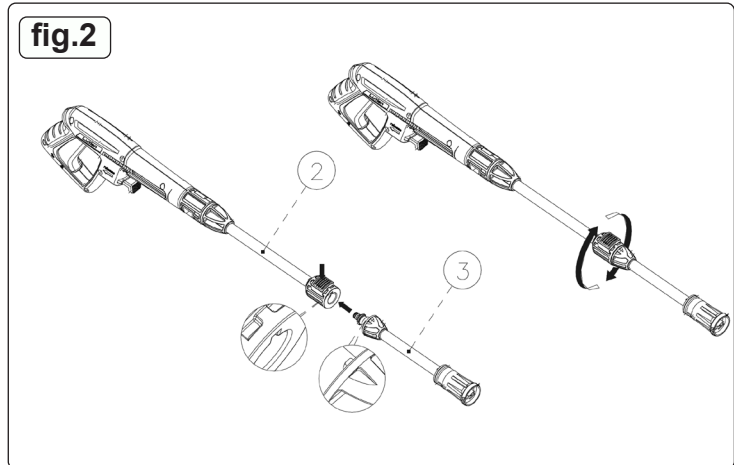
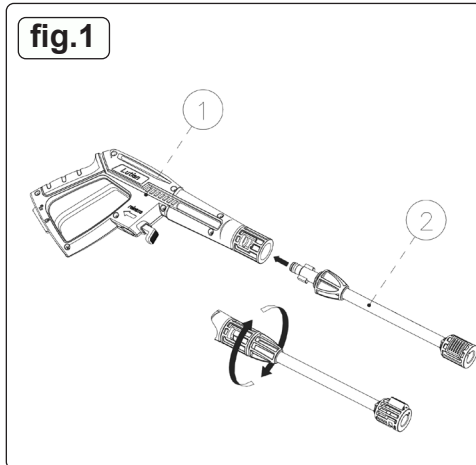


5. ASSEMBLY

5.1. ATTACH THE MIDDLE EXTENSION LANCE TO WAND (FIG.1 & 2)

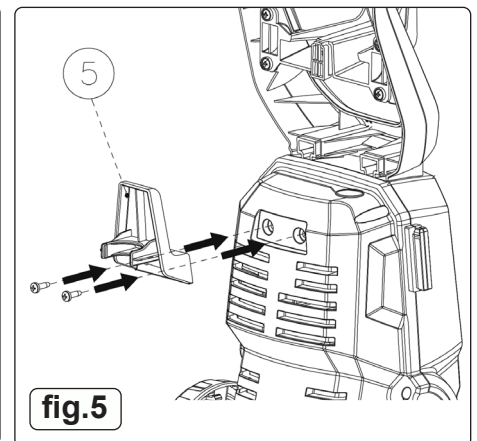
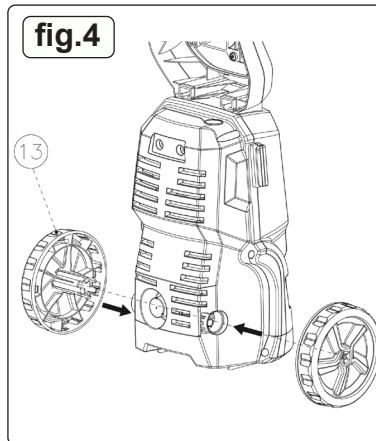
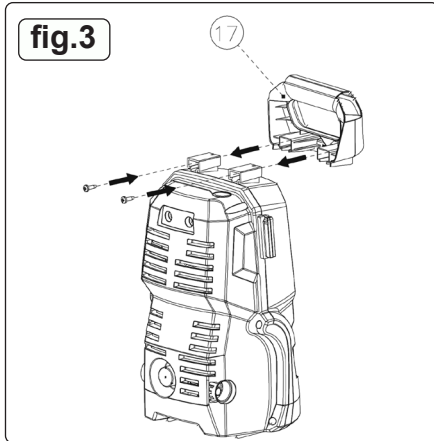
Note: When attaching, align the two projections on the lance with the grooves on the wand.

- 5.2. Attach the adjustable nozzle to the middle extension lance. **Note:** When attaching, align the projection on the front lance with the groove on the middle extension lance with the button held.



5.3. MOUNTING THE HANDLE (FIG.3)

Screw the handle tight to the main unit (2 screws). **Note:** The screws will be packed together with the manual.



5.4. FIT WHEELS (FIG.4)

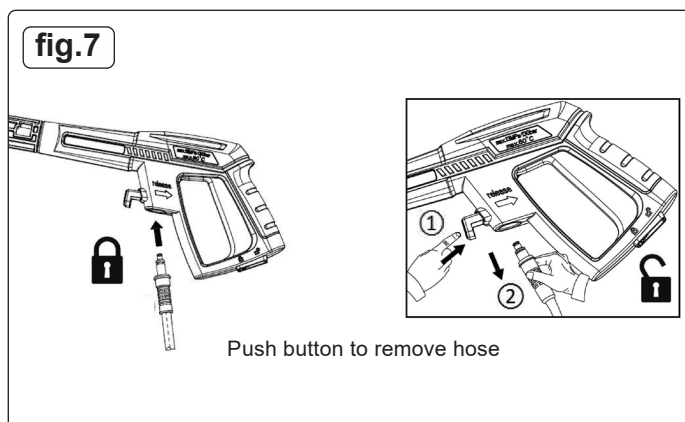
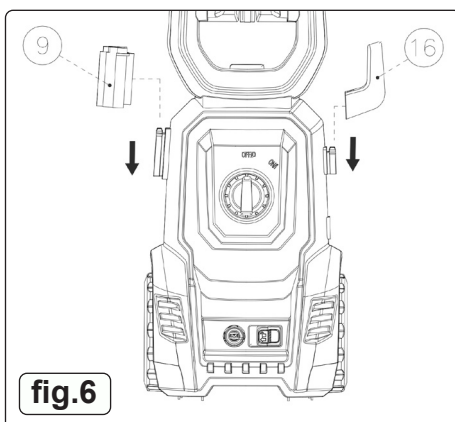
- 5.4.1. Align each wheel axle with corresponding shape on the body of the washer. Press to fit.

5.5. MOUNTING THE HIGH PRESSURE HOSE HOOK (FIG.5)

- 5.5.1. Screw the high pressure hose hook to the main unit (2 screws). The screws will be packed together with the manual.

Note: All screws are packed in one bag.

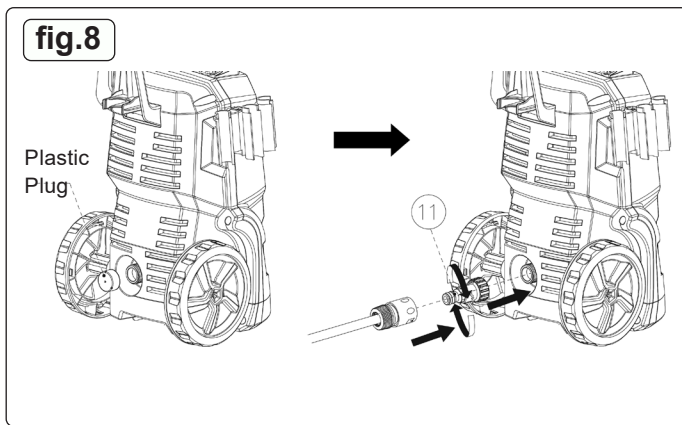
5.6. FIT GUN HOLDER AND POWER CABLE HOOK (FIG.6)



5.7. ATTACH & DETACH THE HIGH PRESSURE HOSE FIGS (7 & 7A)

- 5.7.1. **Attach:** one end of the high pressure hose to the pressure water outlet of the machine and the other end of the high pressure hose to the wand. **Note:** After the high pressure hose is connected, check the connection by gently pulling on the hose to ensure it stays connected.

- 5.7.2. **Detach:** To detach the hose, turn switch to OFF/II position and pull the trigger to drain water from wand. Push the lock button and pull to detach the high pressure hose.



5.8. ATTACH THE GARDEN HOSE (FIG.8)

5.8.1. Remove the plastic plug from the water inlet pipe of the machine and screw the water inlet connector onto the water inlet pipe.

5.8.2. Connect one end of the garden hose (not supplied) to the water inlet connector and another end to water source.

WARNING! The appliance is INTENDED to be used at temperatures above 0°C.

WARNING! Garden hose must not be damaged and leak. Inner diameter no less than 1/2", length can not be greater than 8m.

5.9. Connect to mains power.

6. OPERATION

WARNING! During operation appliance must be positioned on firm, stable surface. High pressure hose must not be coiled on the washer.

WARNING! Check that the supply voltage and frequency correspond to those specified on the appliance data plate. The appliance should only be connected to a mains power supply via a security breaker (Max.30mA) to cut off the electricity supply in the instance of a short circuit.

6.1. START UP (FIG.9)

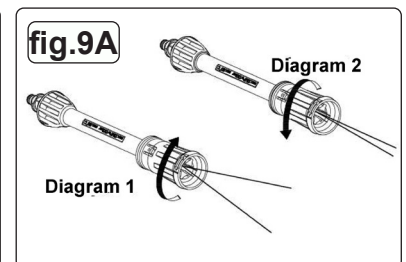
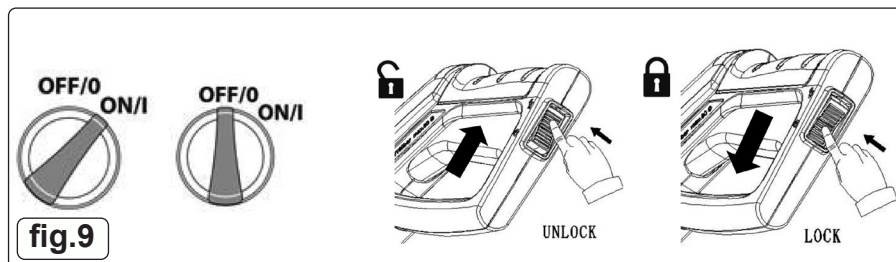
6.1.1. Turn water on. Squeeze trigger for approx. 1 minute until low pressure water flows out, to empty air out of the unit.

WARNING! For use with cold water only.

Note: Before pressing trigger, make sure lock-off switch is in "unlock" position.

6.1.2. Turn the switch of the pressure wash to "ON/I" position, then press trigger.

WARNING! DO NOT start the machine without connecting and turning on the water supply, it may cause damage to high pressure seals and reduce the service life of the pump.



6.2. CLEANING

6.2.1. Squeeze the trigger, high pressure water flow will come out.

6.2.2. Rotate adjustable nozzle collar, fig.9A, to change it from a full fan spray (diagram 1) to a direct stream spray (diagram 2).

WARNING! When operating the machine, it must only be used upright.

Note: Begin with the nozzle 1-2ft away from the surface and approach with caution until it reaches the desired position. Too close a spray may do harm to the surface.

WARNING! DO NOT connect the machine to water supplies that are dirty, rusty, muddy, or corrosive: including window cleaning liquids, plant foods, or fertilizers etc.

6.2.3. When cleaning is finished, release the trigger and turn the switch to "OFF/O" position, then turn off the water supply.

Note: When not in use, make sure Lock-off switch is in "Lock" position.

Note: Using the pressure washer after water supply has been turned off, serious damage could occur to the pump and/or motor.

WARNING! Never disconnect high pressure discharge hose from machine while system is pressurized. To de-pressurize, turn motor off, turn water supply off and squeeze gun trigger 2-3 times.

6.2.4. Disconnect from mains supply.

6.3. SAFETY VALVE/PRESSURE LIMITING VALVE

WARNING! DO NOT tamper with or adjust the safety valve setting.

6.3.1. The safety valve is also a pressure limiting valve. When the gun trigger is released, the valve opens, pressure switch operates, the machine automatically shuts down. If the gun nozzle is blocked, this will cause the machine pressure to rise, the safety valve opens, and the pressure switch activates, the machine automatically shut down.

6.3.2. Refer to section 7.2 to use a needle to clean the nozzle.

6.4. GUN SAFETY BUTTON (FIG.10)

6.4.1. Operator needs to press the unlock button and then actuate the trigger to release spray.

6.4.2. When trigger is released, trigger will return to the off position automatically.

6.4.3. When not using the pressure cleaner, press the lock button to keep from accidentally engaging the high pressure spray.

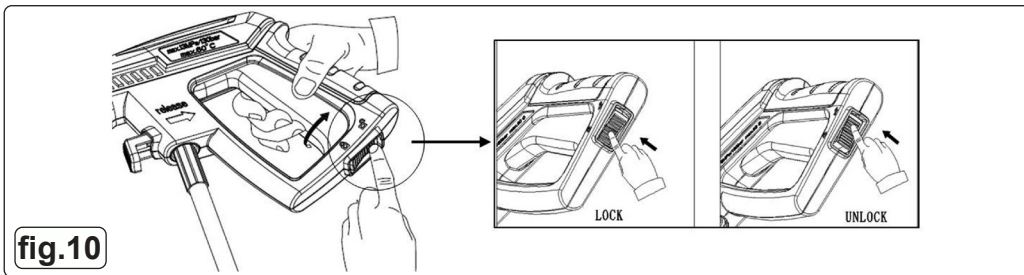


fig.10

6.5. HOLDING THE GUN

6.5.1. Hold the gun correctly to resist kickback force: one hand on the handle, one on the lance.

6.6. TO WASH WITH DETERGENT (FIG.11)

6.6.1. Fill bottle with a recommended detergent or cleaner with a water ratio according to instructions on the container. Connect nozzle to lance.

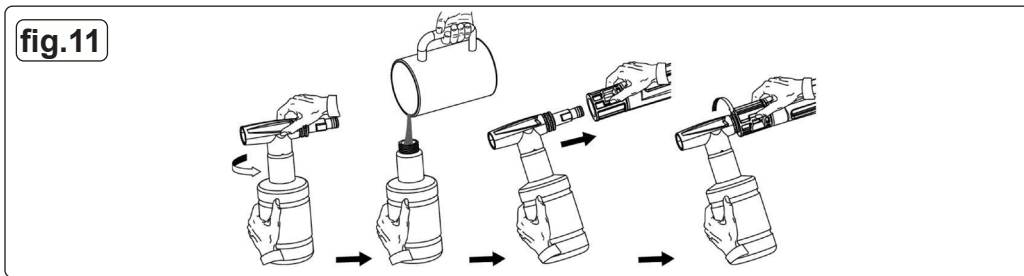


fig.11

6.6.2. Squeeze the wand trigger, detergent will come out through the nozzle.

6.6.3. Apply detergent so it thoroughly covers cleaning surface.

6.6.4. Allow detergent to remain on the surface for a few minutes. Use a brush to lightly scrub heavily soiled areas.

6.6.5. Change to spray nozzle, Rinse detergent from surface.

6.6.6. **Cleaning up:** Always draw fresh water through the detergent bottle when done to flush any remaining detergents from the injection system. The bottle could be detached if necessary.

6.7. PLACEMENT OF ACCESSORIES ON THE MACHINE (FIG.12)

6.7.1. Gun, power lead, hose and accessories are placed as shown below.

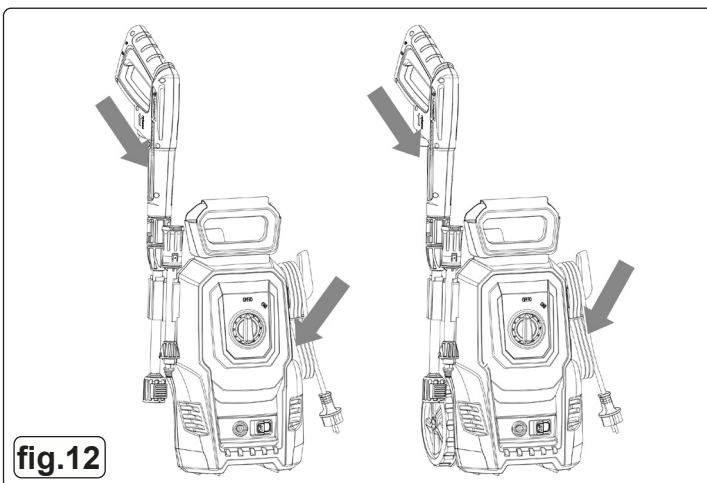


fig.12

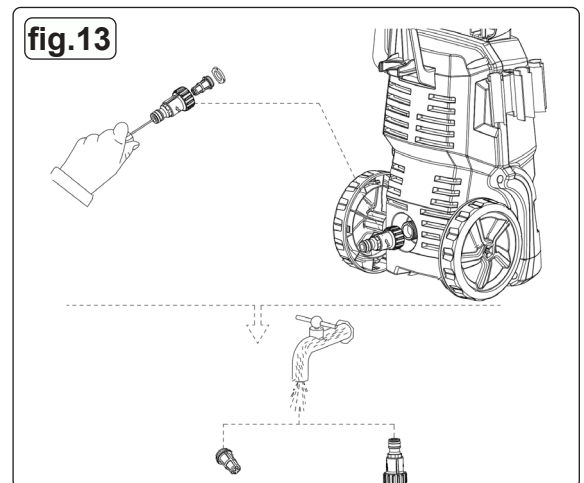


fig.13

7. MAINTENANCE

❑ **WARNING!** Always disconnect from mains supply before carrying out any work on the appliance.

Note: Any maintenance operations not covered by this chapter should be carried out by an properly qualified persons or the manufacturer.

7.1. CLEANING OF WATER INLET FILTER (FIG.13)

7.1.1. Water filter installed inside the water inlet connector, should be cleaned periodically. Rinse with clean tap water, and then place it back into the water inlet connector.

7.2. CLEANING THE NOZZLE (FIG.14)

7.2.1. Using the nozzle tip cleaner provided (or an unfolded paper clip), insert the wire into the nozzle hole and move back and forth until debris is dislodged. Back flush water through the nozzles using garden hose and highest pressure available (either standard water nozzle or use your thumb over the nozzle to create water pressure for back flush.)

7.3. CLEANING OF MACHINE VENTS

7.3.1. The machine should be kept clean so as to let cooling air pass freely through the machine vents.

7.4. GREASE COUPLINGS

7.4.1. To ensure easy connection and that o-rings work effectively, the couplings should be greased regularly.

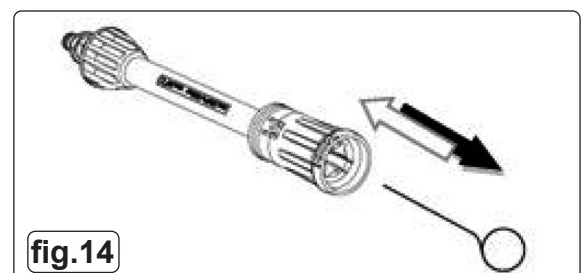


fig.14

8. STORAGE

- 8.1. Disconnect the water source, turn on the pressure washer for a few seconds until the remaining water flows out, then turn it off quickly.
- 8.2. Unplug the power supply.
- 8.3. Disconnect the high pressure hose and the garden hose, and coil high pressure hose for storage.
- 8.4. Store in a frost free area with a temperature above 0°C.

9. TROUBLESHOOTING

PROBLEM	REASON	ACTION
Machine refuses to run	Machine not plugged in Defective socket Fuse has blown Defective extension cable	Plug in machine Try another socket Replace fuse Try without extension cable
Fluctuating pressure	Pump sucking air Valves dirty, worn or stuck Pump seals worn out	Check that hoses and connections are airtight Clean and replace or return for repair Clean and replace or return for repair
Machine stops	Fuse has blown Incorrect mains voltage Thermal sensor activated Nozzle partially blocked	Replace fuse. Switch off other machines Check that the mains voltage corresponds to specification on the model tag Leave the washer for 5 minutes to cool down Clean the nozzle
Fuse blows	Fuse too small	Change to an installation higher than the amps consumption of the machine Try without an extension cable
Machine pulsating	Air in inlet hose/pump Inadequate supply of mains water Nozzle partially blocked Water filter blocked Hose kinked	Allow machine to run with open trigger until regular working pressure resumes Check that the water supply corresponds to specifications required Clean the nozzle Clean the filter Straighten out hose
Machine often starts and stops by itself	Pump/hose or accessory frozen No water supply Water filter blocked Nozzle blocked	Wait for pump/hoses or accessory to thaw Connect inlet water Clean the filter Clean the nozzle
Machine starts, but no water comes out	Pump/hose or accessory frozen No water supply Water filter blocked Nozzle blocked	Wait for pump/hoses or accessory to thaw Connect inlet water Clean the filter Clean the nozzle



ENVIRONMENT PROTECTION

Recycle unwanted materials instead of disposing of them as waste. All tools, accessories and packaging should be sorted, taken to a recycling centre and disposed of in a manner which is compatible with the environment. When the product becomes completely unserviceable and requires disposal, drain any fluids (if applicable) into approved containers and dispose of the product and fluids according to local regulations.



WEEE REGULATIONS

Dispose of this product at the end of its working life in compliance with the EU Directive on Waste Electrical and Electronic Equipment (WEEE). When the product is no longer required, it must be disposed of in an environmentally protective way. Contact your local solid waste authority for recycling information.

Note: It is our policy to continually improve products and as such we reserve the right to alter data, specifications and component parts without prior notice.

Important: No Liability is accepted for incorrect use of this product.

Warranty: Guarantee is 12 months from purchase date, proof of which is required for any claim.

Sealey Group, Kempson Way, Suffolk Business Park, Bury St Edmunds, Suffolk. IP32 7AR



01284 757500



sales@sealey.co.uk



www.sealey.co.uk