

SEALEY

675MM STAINLESS STEEL HEAVY-DUTY TOPCHEST & ROLLCAB

MODEL NO: **PTB66004SS & PTB67506SS**

Thank you for purchasing a Sealey product. Manufactured to a high standard, this product will, if used according to these instructions, and properly maintained, give you years of trouble free performance.

IMPORTANT: PLEASE READ THESE INSTRUCTIONS CAREFULLY. NOTE THE SAFE OPERATIONAL REQUIREMENTS, WARNINGS & CAUTIONS. USE THE PRODUCT CORRECTLY AND WITH CARE FOR THE PURPOSE FOR WHICH IT IS INTENDED. FAILURE TO DO SO MAY CAUSE DAMAGE AND/OR PERSONAL INJURY AND WILL INVALIDATE THE WARRANTY. KEEP THESE INSTRUCTIONS SAFE FOR FUTURE USE.



Refer to
instruction
manual



Wear
protective
gloves



Indoor use
only

1. SAFETY

- ❑ **WARNING!** Ensure Health & Safety, local authority, and general workshop practice regulations are adhered to when using these units.
- ✓ Locate the units in a suitable work area.
- ✓ Keep the work area clean, uncluttered and ensure there is adequate lighting.
- ❑ **WARNING!** Use the units on level and solid ground, preferably concrete.
- ✓ Keep the units clean and tidy in accordance with good workshop practice.
- ✓ Keep children and unauthorised persons away from the work area.
- ✗ **DO NOT** use these units for any purpose other than that for which they are designed.
- ✗ **DO NOT** use the units outdoors.
- ✗ **DO NOT** place the units in a damp or wet location or an area where there is condensation.
- ✗ **DO NOT** clean the units with any solvents which may damage the surfaces or the protective coating.
- ✗ **DO NOT** move the units with drawers out. To avoid tipping, open one drawer at a time and close and secure all drawers whilst moving.
- ✗ **DO NOT** step on the drawers.

2. INTRODUCTION

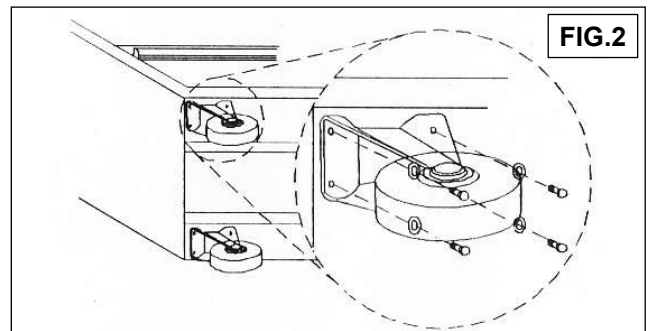
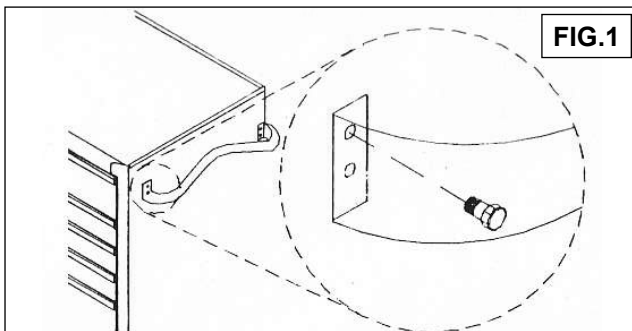
Heavy-duty welded steel construction for strength and durability. Anti-fingerprint stainless steel finish, both solvent and rust resistant. Ball-bearing drawer slides provide superior performance and carry heavier loads, double sets on large drawers. All drawers have full width sand blasted aluminium 'Lift & Latch' drawer pulls, making easy-access while preventing inadvertent opening when box is being moved. Heavy-duty exterior side handles. Supplied with non-slip drawer liners fitted to each drawer. Gas struts fitted to lid makes opening easy. Integral locking system locks all drawers with the turn of a key. Supplied with two keys.

3. SPECIFICATION

Model No:	PTB66004SS	PTB67506SS
Overall Size:	675 x 460 x 565mm	675 x 460 x 1030mm
Medium Drawer (x3):	560 x 385 x 60mm	560 x 385 x 60mm
Large Drawer (x1):	560 x 385 x 135mm	560 x 385 x 135mm
X-Large Drawer (x1):	N/A	560 x 385 x 210mm

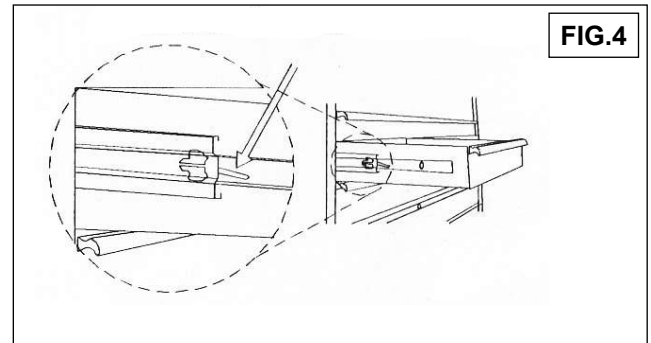
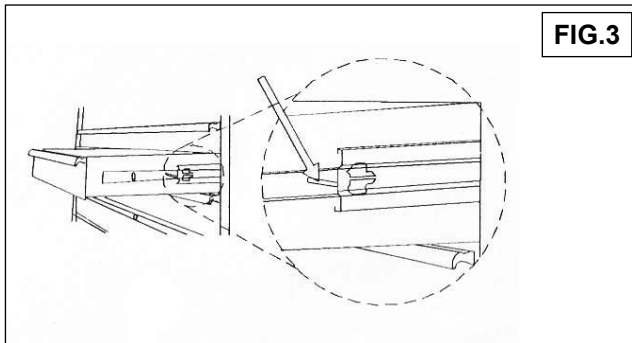
4. ASSEMBLY

- ❑ **WARNING!** These units are heavy, obtain the help of at least one other person before attempting to unpack them.
- 4.1. **INSTALL HANDLE** (FIG.1).
- 4.1.1. Position the holes on the rollcab and attach with the bolts provided. Tighten securely.
- 4.2. **INSTALL WHEELS (ROLLCABS)** (FIG.2).
- 4.2.1. Lay the rollcab on its back with a soft mat underneath for protection. Install the two braked casters on the same end as the handle.
- 4.2.2. Insert the carriage bolts through washers, then through the casters and into the bottom of the cabinet. Tighten securely.
- 4.2.3. Install the fixed wheels on the opposite end to the handle.



4.3. REMOVE DRAWERS (FIG.3 & 4).

- 4.3.1. Pull drawer out until it is almost fully extended. Push up one black release handle while pulling down the other hand black release lever.
- 4.3.2. Whilst holding the levers in these positions pull the drawer out until it is released from the drawer slide.



4.4. REPLACE DRAWERS

- 4.4.1. Extend the drawer slides from the tool chest/cabinet.
- 4.4.2. Insert the brackets on each side of the drawer into the slots in the chest/cabinet slides, being careful that they are properly positioned.
- 4.4.3. Once properly inserted, completely close the drawer to set the slides in their proper positions.

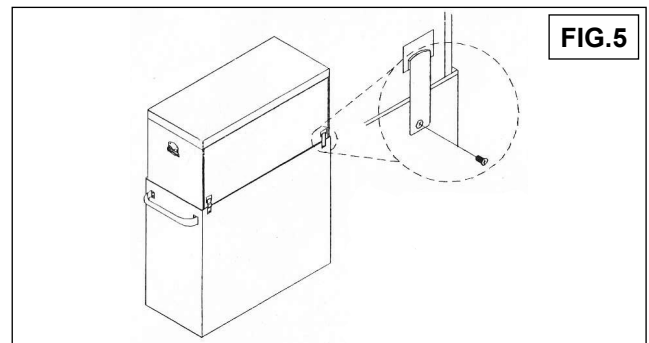
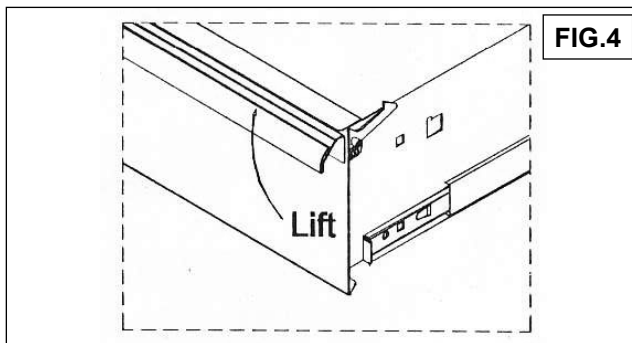
4.5. RAISE AND RELEASE DRAWER HANDLES (FIG.5).

- 4.5.1. These units are equipped with raise and release drawer handles.
- 4.5.2. To open, lift up the drawer handle, whilst pulling it towards you. To close, shut the drawer firmly, until the latch engages.
- 4.5.3. If the drawer does not stay closed, the hook may be bent or it may rub against the drawer slides. To fix lightly bend the hook until the drawer will engage in the slide.

4.6. CHEST AND ROLLCAB CONNECTION (FIG.6)

Note: Rollcab PTB67506SS can be fitted with Topchest PTB66004SS or PTB660TR.

- 4.6.1. Place the chest on the rollcab.
- 4.6.2. Attach the connectors, as shown, to both ends. Ensure that the clip fully engages in the back of the topchest.



Parts support is available for this product. Please log on to
www.sealey.co.uk, email sales@sealey.co.uk or telephone 01284 757500



ENVIRONMENT PROTECTION

Recycle unwanted materials instead of disposing of them as waste. All tools, accessories and packaging should be sorted, taken to a recycling centre and disposed of in a manner which is compatible with the environment. When the product becomes completely unserviceable and requires disposal, drain any fluids (if applicable) into approved containers and dispose of the product and fluids according to local regulations.



REGISTER YOUR PURCHASE HERE

Note: It is our policy to continually improve products and as such we reserve the right to alter data, specifications and component parts without prior notice. Please note that other versions of this product are available. If you require documentation for alternative versions, please email or call our technical team on technical@sealey.co.uk or 01284 757505.

Important: No Liability is accepted for incorrect use of this product.

Warranty: Guarantee is 12 months from purchase date, proof of which is required for any claim.

Sealey Group, Kempson Way, Suffolk Business Park, Bury St Edmunds, Suffolk. IP32 7AR



01284 757500



sales@sealey.co.uk



www.sealey.co.uk