

Thank you for purchasing a Sealey product. Manufactured to a high standard this product will, if used according to these instructions and properly maintained, give you years of trouble free performance.

IMPORTANT: PLEASE READ THESE INSTRUCTIONS CAREFULLY. NOTE THE SAFE OPERATIONAL REQUIREMENTS, WARNINGS & CAUTIONS. USE THE PRODUCT CORRECTLY AND WITH CARE FOR THE PURPOSE FOR WHICH IT IS INTENDED. FAILURE TO DO SO MAY CAUSE DAMAGE AND/OR PERSONAL INJURY AND WILL INVALIDATE THE WARRANTY. PLEASE KEEP INSTRUCTIONS SAFE FOR FUTURE USE.

1. SAFETY INSTRUCTIONS

- ✓ Only open bottomed Euro type pallets can be used to raise a load to a higher level.
- ✗ Do not use a faulty or damaged truck.
- ✓ Before using the truck all parts and working mechanisms should be checked for wear or damage. Pay particular attention to the wheels, handle and fork lifting and lowering mechanism. Any parts found to be worn, damaged or suspect should be repaired or replaced before the truck is used.
- ✓ All repairs must be carried out by an authorised Sealey service agent.
- ✓ Personnel who operate the truck and those in the vicinity of operation should wear safety shoes with reinforced toe caps at all times.
- ✗ Never place any part of your body in the lifting mechanism or under the forks or load.
- ✗ Do not allow others to ride on the truck.
- ✗ Do not lift or move unstable or loosely stacked loads.
- ✓ Take special care when moving long, high or wide loads in order not to dislodge the load by striking any architectural features, permanent fixtures, vehicles or people in the area of operation.
- ✓ Always ensure that the load is evenly distributed across the forks with the centre of the load being at the halfway point of the length of the forks.
- ✗ Do not overload the truck - refer to the specification for maximum permitted load.
- ✓ If a load is left unattended even for a very short period of time it should be lowered to the ground.
- ✓ When not in use the truck should be left in the lowered position.
- ✓ Ensure that the width and length of the forks is correct for the pallet to be lifted.
- ✓ Ensure that the truck is sufficiently inserted into the pallet to lift the full width of the pallet.
- ✓ Use the truck on level, flat, hard surfaces.
- ✗ Do not use truck on sloping or uneven ground and do not attempt to negotiate curbs, steps or ramps.
- ✓ The operator of the truck must be physically capable of controlling the load selected; particularly in relation to stopping a rolling load.

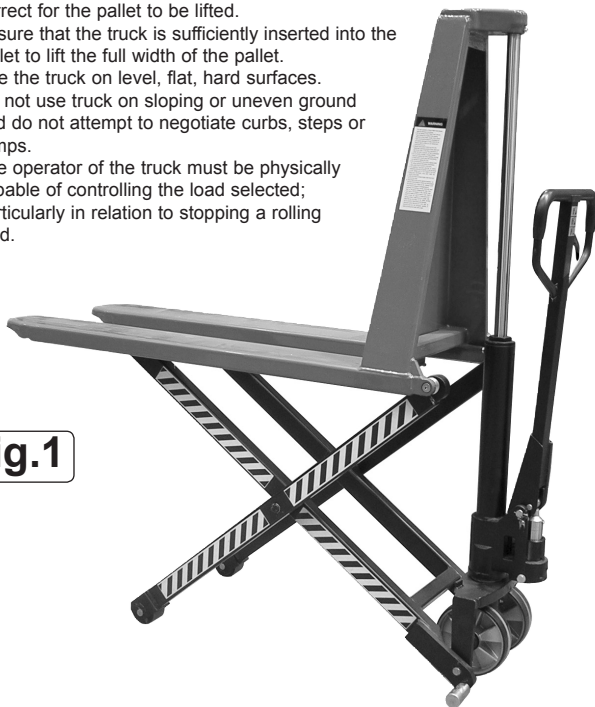


fig.1

2. INTRODUCTION & SPECIFICATION

Introduction. Heavy-duty high lift pallet truck suitable for the loading and unloading of light commercial vehicles as well as warehouse and general handling duties. Features twin stabilisers for extra balance when at maximum lift and an ergonomic handle design for comfortable operation.

Specification.

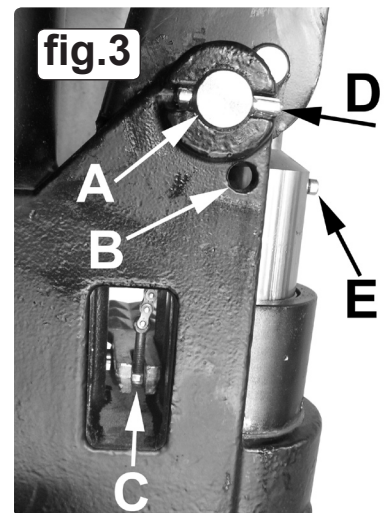
Model No.	PT1170H
Capacity.	1000kg
Minimum Height.	85mm
Maximum Height.	800mm
Fork Spread.	225mm
Fork Length.	1170mm
Overall Fork Width.	540mm



3. ASSEMBLY

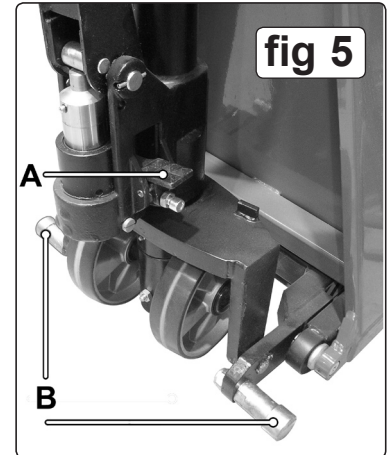
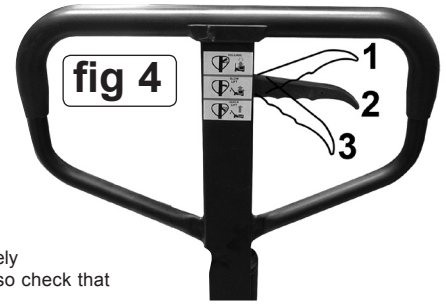
3.1 Assembling the handle to the truck. (see fig.2)

- 3.1.1 Note that the piston is constrained in the down position by a pin which passes through holes in the handle mounting bracket. See fig.3B. Do not remove this pin yet.
- 3.1.2 Identify and have ready the handle pivot pin which will have a roll pin inserted through one end of it.
- 3.1.3 Slide the base of the handle into the handle mounting bracket which is an integral part of the pump body and align the holes in the handle with the holes in the bracket, see fig.3 below.
- 3.1.4 Drive the pin (fig.3A) through the aligned holes from left to right using a soft faced hammer and ensure that the roll pin rests in the groove in the bracket as shown at fig.3D.
- 3.1.5 Move the lever at the top of the handle into the lower position then pass the chain with adjusting bolt and nut through the hole in the centre of the handle pivot pin.
- 3.1.6 Lower the handle to depress the piston and remove the restraint pin from the hole 'B' above the piston, see fig.3B.
- 3.1.7 Place the handle in the central 'raise' position.
- 3.1.8 Press and hold down the foot pedal seen in fig.5A. Slide the adjusting bolt and nut at the end of the chain through the slot in the other end of the pedal as shown in fig.3C.
- 3.1.9 Slowly release the pressure from the foot pedal. Check that the adjusting nut is securely situated beneath the foot pedal.
- 3.1.10 Retain the handle assembly by driving another roll pin through the other end of the handle pivot pin. See fig.3D.



4. OPERATING THE TRUCK

- ❑ **WARNING! Always transport a load with the pallet raised from the ground by only 2 to 3cm.**
 - ❑ **WARNING! Pallets with an enclosed entry should not be used for lifting a load to a higher level as the scissor action of the jack will force the woodwork apart. Only open bottomed Euro type pallets can be used to raise a load to a higher level.**
- 4.1 Before using the truck you must read and understand the safety instructions in Section 1. The truck should only be operated by those persons who have been trained in its use.
 - 4.2 The operator must be physically capable of pushing or pulling the load and must also be capable of stopping a rolling load.
 - 4.3 Before lifting any load the operator should check that the pallet is the correct width and length for the truck and that the pallet itself is not damaged.
 - 4.4 The operator should ensure that the load on the pallet is safe to move. If the load appears to be loosely stacked, unevenly distributed, too high or too wide it should be repacked safely before moving. Also check that the weight of the load is within the capacity of the truck.
 - 4.5 **Lowering the truck. (See fig.4-1)** Before inserting the truck into the pallet ensure that the truck forks are in their lowest position by pulling the operating lever into the upper position and holding it there until the truck has settled down to the lowest level.
 - 4.6 **Slow lift position. (See fig.4-2)** The lever can now be released and will return to the middle position. Push the truck into the pallet ensuring that it is fully inserted. If the pallet is shorter than the forks the load should be placed at the centre point of the length of the forks. Pump the handle to raise the load slightly off the ground in preparation for transporting the load to a new location. When the handle is pumped in this position the load only rises slowly. Always transport a load with the truck in the lowest position.
 - 4.7 Due care should be taken when manoeuvring a load to ensure that no collision takes place with any objects or people.
 - 4.8 The faster the truck is moved the more difficult it will be to stop it. Therefore proceed at a slow and even pace.
 - 4.9 Bring the truck to a stop where required and lower the load to the floor by pulling the operating lever to its highest position and holding it there until the load has settled to the floor. Alternatively the load can be lowered by pressing the foot pedal. (See fig.5A)
 - 4.10 It is not recommended that the load is lowered whilst the truck is still moving as a sudden stop may dislodge the load causing damage to property and/or people.
 - 4.11 **Quick lift position. (See fig.4-3)** To lift a pallet quickly to a higher level push the operating lever to its lowest position where it will latch. **NOTE: Only open bottomed Euro type pallets can be raised to a higher level.** Pump the handle up and down to lift the load higher. When the forks reach their maximum height the lifting action will stop even if you continue to pump the handle. As the load rises the stabilising pins attached to the legs either side of the wheels (See fig.5B) will begin to make contact with the ground. Above the height of 300mm the rear wheels are no longer in contact with the ground. This is a safety feature designed to prevent the moving of the load when the forks are raised to a high level.
 - 4.12 When the truck is not in use, lower the forks and park the truck where it will not be a hazard.



5. ADJUSTMENTS

- 5.1 The operating lever mechanism is adjusted in the factory but should the adjustment be lost or the mechanism not perform as it should it may be necessary to re-adjust to restore correct operation.
- 5.2 Before making any adjustments first check that the oil level is correct. See Maintenance section below.
- 5.2 Test the performance of the truck in each lever position. If it does not function correctly in any position make adjustments to the nut at the end of the release rod chain. (See Part No.104 on the pump assembly parts diagram).
- 5.3 If the quick lift function will not operate or the forks will not lift, turn the adjusting nut anticlockwise.
- 5.4 If the slow lift function will not operate or the forks will not lower, turn the nut clockwise.
- 5.5 If turning the nut at the end of the release rod chain does not cure the problem make further adjustments in conjunction with the adjusting bolt beneath the release pedal. (See Part No.318 on the pump assembly parts diagram). Turn the bolt in the same direction as the adjusting screw. Make small changes to each adjustment in turn until the truck begins to function properly.

6. MAINTENANCE

- NOTE:** The screw situated towards the top of the piston is dual purpose. The screw is loosened when purging air from the system and also is removed when the oil requires topping up. See fig.3E.
- 6.1 If the forks will not rise to the highest level the oil level should be topped up. Otherwise the oil level should be checked every six months. Only use hydraulic oil which conforms to ISO VG32. The viscosity should be 32cSt at 40°C .
 - 6.2 To purge air from the system loosen the screw at the top of the piston (See fig.3E). Slowly push the handle downwards to release any air then retighten the screw.
 - 6.3 Apply a long life grease to all bearings and shafts once a month.

7. TROUBLE SHOOTING

THE PROBLEM	THE CAUSE	THE SOLUTION
1 The forks do not reach maximum height.	Hydraulic oil level too low.	Top up the oil.
2 The forks do not raise.	No or low hydraulic oil. The oil is contaminated. The lifting/lowering mechanism needs adjustment. Air in the hydraulic system.	Fill/top up with hydraulic oil. Change the oil. Follow procedure in Section 5. Purge the air as described in Section 5.
3 The forks will not descend.	The lifting/lowering mechanism needs adjustment. Truck stored in raised position allowing exposed piston rod to corrode and jam. The movement of the forks is obstructed.	Adjust as described in Section 5. Lubricate rod regularly and store truck in lowered position. Remove obstruction
4 Leaks	Seals worn,damaged or cracked.	Replace seals.
5 No difference in lifting speed between quick and slow handle positions.	The lifting/lowering mechanism needs adjustment. Release valve not fully closed due to impurities in oil.	Adjust as described in Section 5. Change the oil.

NOTE: It is our policy to continually improve products and as such we reserve the right to alter data, specifications and component parts without prior notice.

IMPORTANT: No liability is accepted for incorrect use of this product.

WARRANTY: Guarantee is 12 months from purchase date, proof of which will be required for any claim.

INFORMATION: For a copy of our latest catalogue and promotions call us on 01284 757525 and leave your full name and address, including postcode.



Sole UK Distributor, Sealey Group,
Kempson Way, Suffolk Business Park,
Bury St. Edmunds, Suffolk,
IP32 7AR

☎ 01284 757500

🌐 www.sealey.co.uk

📠 01284 703534

✉ sales@sealey.co.uk