



1150 X 555MM PALLET TRUCK WITH SCALES - 2000KG CAPACITY

MODEL NO: **PT1150SC.V4**

Thank you for purchasing a Sealey product. Manufactured to a high standard, this product will, if used according to these instructions, and properly maintained, give you years of trouble free performance.

IMPORTANT: PLEASE READ THESE INSTRUCTIONS CAREFULLY. NOTE THE SAFE OPERATIONAL REQUIREMENTS, WARNINGS & CAUTIONS. USE THE PRODUCT CORRECTLY AND WITH CARE FOR THE PURPOSE FOR WHICH IT IS INTENDED. FAILURE TO DO SO MAY CAUSE DAMAGE AND/OR PERSONAL INJURY AND WILL INVALIDATE THE WARRANTY. KEEP THESE INSTRUCTIONS SAFE FOR FUTURE USE.



Refer to instructions



Wear safety footwear

1. SAFETY

- * **DO NOT** use a faulty or damaged truck.
- * **DO NOT** adapt or modify the truck.
- ✓ Before using the truck all parts and working mechanisms should be checked for wear or damage. Pay particular attention to the wheels, handle and fork lifting and lowering mechanism. Any parts found to be worn, damaged or suspect should be repaired or replaced before the truck is used. All repairs must be carried out by an authorised Sealey service agent.
- ✓ Personnel who operate the truck and those in the vicinity of operation should wear safety shoes with reinforced toe caps at all times.
- * **DO NOT** place any part of your body in the lifting mechanism or under the forks or load.
- * **DO NOT** allow others to ride on the truck.
- * **DO NOT** lift or move unstable or loosely stacked loads.
- ✓ Take special care when moving long, high or wide loads in order not to dislodge the load by striking any architectural features, permanent fixtures, vehicles or people in the area of operation.
- ✓ Always ensure that the load is evenly distributed across the forks with the centre of the load being at the halfway point of the length of the forks.
- * **DO NOT** overload the truck - refer to the specification for maximum permitted load.
- ✓ If a load is left unattended even for a very short period of time it should be lowered to the ground.
- ✓ When not in use the truck should be left in the lowered position.
- ✓ Ensure that the width and length of the forks is correct for the pallet to be lifted.
- ✓ Ensure that the truck is sufficiently inserted into the pallet to lift the full width and depth of the pallet.
- * **DO NOT** use truck on sloping or uneven ground and do not attempt to negotiate curbs, steps or ramps. Only use the truck on level, flat, and hard surfaces.
- ✓ The operator of the truck must be physically capable of controlling the load selected; particularly in relation to stopping a rolling load.
- * **DO NOT** use the truck in areas of low lighting (minimum 50 lux or less).

2. INTRODUCTION

Heavy-duty pallet truck suitable for warehouse and general handling duties. Features built-in weighing scales with an accuracy of +/-1kg. 6-Digit, high contrast LCD display. Control panel has a tare function to allow for packaging weight. Scales powered by a built-in 6V/4.5A rechargeable battery. Supplied with charging level indicator pin charger. This item is heavy. Extra assistance must be provided at the delivery point to help its safe delivery.

3. SPECIFICATION

Model NoPT1150SC.V3
 Battery:6V/4.5A Lead Battery
 Capacity2000kg
 Display:..... 6-Digit LCD
 Fork Spread:..... 115mm
 Forks (Length x Overall Width):..... 1150 x 555mm
 Maximum Height:200mm
 Minimum Height:85mm

4. OPERATION

- 4.1. The operating handle control lever can be set to one of three positions, as shown in fig.1.They are:
- 4.1.1. RAISE: Control lever in the DOWN position. (fig.1.2)
 - 4.1.2. DRIVE: Control lever in the CENTRAL position. (fig.1.1)
 - 4.1.3. LOWER: Control lever in the UP position. (fig.1.3)

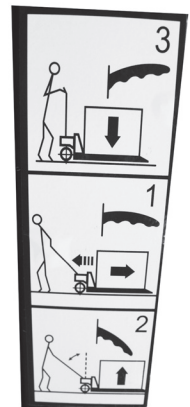
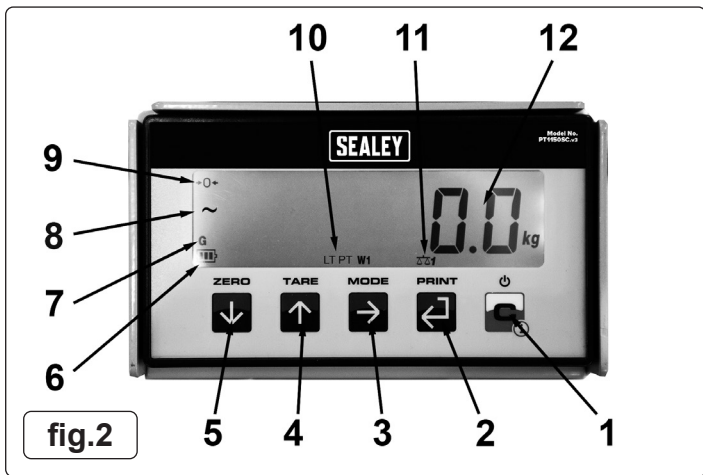


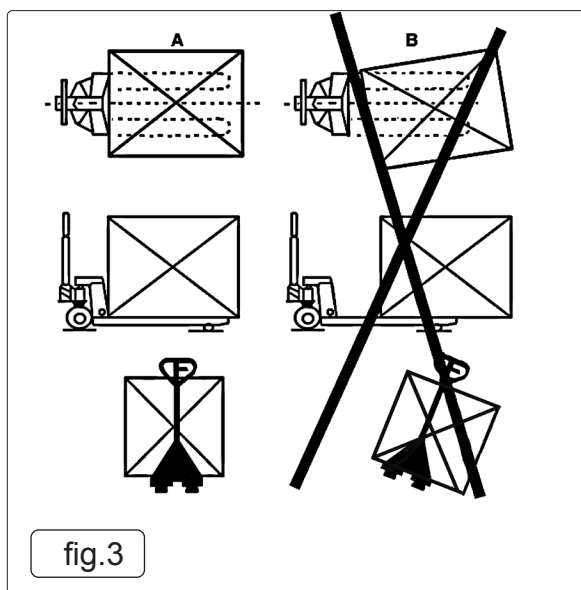
fig.1



Item No.	Function	Operation
1	Power On / Off and Cancel	See 4.4
2	Enter key	See 4.6.4
3	Units kg / lb and loops to next digit	See 4.4, 4.6
4	TARE set up and Scroll up	See 4.5, 4.6
5	ZERO unit and Scroll down	See 4.5, 4.6
6	Battery state indicator	
7	G for gross weight or NET for net weight	See 4.4, 4.5, 4.6
8	Unbalanced load indicator - shows when truck is moved	
9	Symbol displays when unit is zeroed	
10	TARE state. Auto. = LT + NET, Prog.= LT + PT + NET	See 4.5, 4.6
11	Scales are working	
12	Units (kg / lbs)	See 4.4

4.2. OPERATING THE PALLET TRUCK

- **WARNING!** An operator must be fully conversant with the safety instructions.
- 4.2.1. Prior to operating the pallet truck, check the wheels, the operating handle and the fork unit to ensure they are fit for purpose.
- 4.2.2. Move the truck with the operating handle control lever in the DRIVE position, as this makes the operating handle easier to move and also depressurises the hydraulic pump. **DO NOT** overload the pallet truck.
- 4.2.3. Ensure that the goods being transported are placed on the middle of the pallet truck forks. Refer to fig.3.
- 4.2.4. If the load is unstable or poorly loaded the warning symbol (fig.1.8) will show when the truck is moved.
- 4.2.5. Depress the power on switch (fig.2.1) to begin use. See 4.3, 4.4 and 4.5 for functionality.



4.3. MEASURING GROSS WEIGHT

NOTE: To switch measurement between kilograms and pounds, depress the “MODE” key (fig.2.3).

- 4.3.1. Set the operating handle control lever to the LOWER position and lower the pallet truck.
- 4.3.2. Place the pallet forks under the load to be weighed. Ensure that the load is correctly balanced. Refer to fig.3 and 4.2.4.
- 4.3.3. Set the operating handle control lever to the RAISE position and pump the operating handle. Ensure that the pallet is clear of the floor.

NOTE: The reading indicated on the console is the gross weight, i.e. the weight of the goods and the pallet.

4.4. MEASURING NET WEIGHT (Automatic mode)

NOTE: This method is used for goods packed on a standard pallet.

- 4.4.1. “ZERO” the scale readout.
- 4.4.2. With an empty pallet on the forks, pump the operating handle with the control lever in the RAISE position until the pallet is clear of the ground, quickly press the “TARE” key (refer to fig.2.2). The console will then display 0kg.
- 4.4.3. If you were to remove the pallet from the pallet truck forks. The console will then display minus the weight of the pallet, (e.g. -20kg)
- 4.4.4. Add items to the pallet to see the weight then depress the “TARE” key (fig.2.2).

4.5. MEASURING NET WEIGHT (Programmed mode)

- 4.5.1. “ZERO” the scale readout.
- 4.5.2. Press and hold the “TARE” button to enter program mode.
- 4.5.3. Use “ZERO” and “TARE” buttons to change values. Step through the digits display using the “MODE” button.
- 4.5.4. When the required value has been input press the “PRINT” button to confirm.
- 4.5.5. To switch measurement between kilograms and pounds, depress the “MODE” key (fig.2.3).

5. MAINTENANCE

5.1. DAILY MAINTENANCE CHECK

- 5.1.1. Check the state of the wheels and the axles since thread, rags and other foreign objects can jam the wheels making safe, effective operation difficult.
- 5.1.2. On completion of each task, unload the forks and return them to the lowest position.

5.2. OIL CHECK

- 5.2.1. Check the oil level at six monthly intervals. Sealey hydraulic jack oil is used with the pallet truck. The viscosity of the oil should be 30cSt at 40°C. The amount used in the pallet truck is approximately 0.4 litres.

5.3. LUBRICATION

- 5.3.1. The bearings and shafts of the pallet truck have long-life grease applied to them during manufacture. The bearings will only require greasing at monthly intervals or after the pallet truck had been serviced down to the lubrication points.

5.4. PURGING AIR FROM THE HYDRAULICS

- 5.4.1. Air can get into the hydraulic oil through transportation, or the pump becoming misaligned. As a result, the forks will not elevate.
- 5.4.2. The air can be purged by setting the control level to the LOWER position and pumping the operating handle up and down for 30 - 40 seconds.
- 5.4.3. When the pallet truck is not in use, lower the forks and park the truck where it will not be a hazard.

5.5. BATTERY REPLACEMENT

- 5.5.1. To insert battery, first remove the back cover at the rear of the console display unit.
- 5.5.2. Insert battery making sure that it is correctly placed in the display unit.
- 5.5.3. Replace the cover on the display unit.

5.6. OIL TOP UP (fig.4)

- 5.6.1. Remove plastic cover to reveal rubber container.
- 5.6.2. Remove container lid and top up oil to within 20mm of lip.
- 5.6.3. Work the pump several times to let air out of the hydraulic circuit.
- 5.6.4. Replace lid and plastic cover.

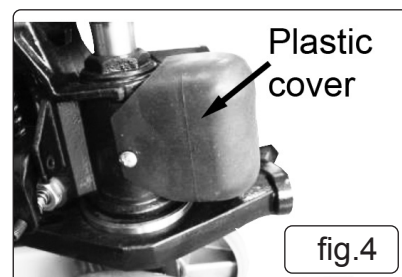


fig.4

6. TROUBLESHOOTING

Problem (pallet truck)	Cause	Solution
The forks cannot be raised to their maximum height.	There is insufficient oil in the reservoir.	Replenish the oil to the correct level. See 6.1 and fig.4
The forks cannot be raised.	No hydraulic oil or impurities or air in the oil. The adjusting nut is too high keeping the pumping valve open. Air has entered the hydraulic system.	Replenish or change the oil. Reset the adjusting nut or bolt. Purge air from the hydraulic system.
The forks cannot be lowered.	The piston rod or the pump is deformed. Forks have been kept in the raised position resulting in the rod jamming. The adjusting nut or bolt is incorrectly positioned.	Replace the piston rod or pump. Keep the forks in the lowest position when not in use. Adjust the nut or bolt.
The forks lower without the release valve operating.	Impurities, or air, has got into the release valve oil. Parts of the hydraulic system have been damaged. Adjusting nut or bolt incorrectly positioned.	Replace the oil/or purge the air from valve. Inspect and replace the damaged parts. Adjust the nut or screw.

Problem (weighing unit)	Cause	Solution
Scale is not accurate.	The fork shoe is touching the bottom part of the scale. Cable in junction box is loose. One of the load cells is broken.	Remove anything that restricts movement of the scale. Check the connection in the junction box and confirm it is secure. Apply weight to all four corners of the scale and the load cell with the different weight should be replaced.
Display will not turn on.	Battery voltage is too low. Battery life is complete.	Replace batteries. Replace batteries

Parts support is available for these products. Please email sales@sealey.co.uk or telephone 01284 757500



BATTERY INFORMATION

Under the Waste Batteries and Accumulators Regulations 2009, Jack Sealey Ltd would like to inform the user that this product contains one or more batteries.



WASTE ELECTRICAL AND ELECTRONIC EQUIPMENT REGULATIONS (WEEE)

When this product is no longer required, or has reached the end of its useful life, please dispose of it in an environmentally friendly way, in accordance with local waste regulations.



ENVIRONMENT PROTECTION

Recycle unwanted materials instead of disposing of them as waste. All tools, accessories and packaging should be sorted, taken to a recycling centre and disposed of in a manner which is compatible with the environment. When the product becomes completely unserviceable and requires disposal, drain any fluids (if applicable) into approved containers and dispose of the product and fluids according to local regulations.



REGISTER YOUR PURCHASE HERE

Note: It is our policy to continually improve products and as such we reserve the right to alter data, specifications and component parts without prior notice. Please note that other versions of this product are available. If you require documentation for alternative versions, please email or call our technical team on technical@sealey.co.uk or 01284 757505.

Important: No Liability is accepted for incorrect use of this product.

Warranty: Guarantee is 12 months from purchase date, proof of which is required for any claim.

Sealey Group, Kempson Way, Suffolk Business Park, Bury St Edmunds, Suffolk. IP32 7AR



01284 757500



sales@sealey.co.uk



www.sealey.co.uk