

Thank you for purchasing a Sealey product. Manufactured to a high standard, this product will, if used according to these instructions, and properly maintained, give you years of trouble free performance.

IMPORTANT: PLEASE READ THESE INSTRUCTIONS CAREFULLY. NOTE THE SAFE OPERATIONAL REQUIREMENTS, WARNINGS & CAUTIONS. USE THE PRODUCT CORRECTLY AND WITH CARE FOR THE PURPOSE FOR WHICH IT IS INTENDED. FAILURE TO DO SO MAY CAUSE DAMAGE AND/OR PERSONAL INJURY AND WILL INVALIDATE THE WARRANTY. KEEP THESE INSTRUCTIONS SAFE FOR FUTURE USE.



Refer to instruction manual



Wear protective headwear



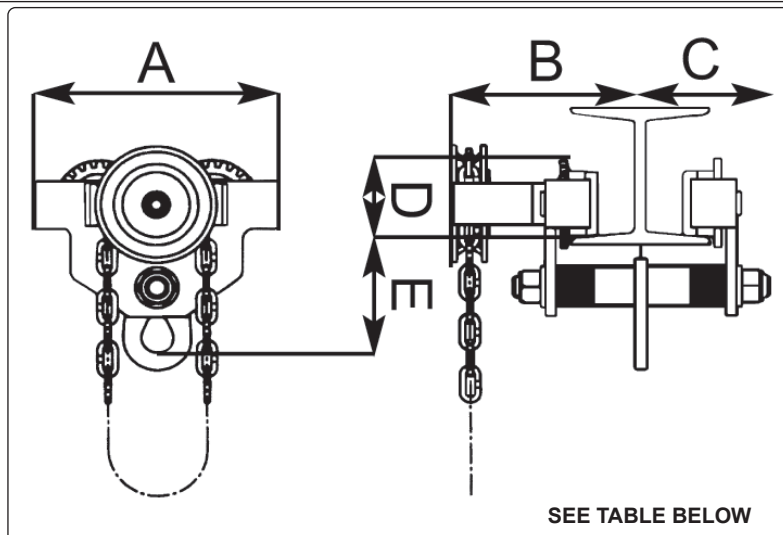
Wear protective gloves



Wear protective footwear

1. CONTENTS

Section 2.	General.
Section 2.1	Identification
Section 2.2.	Technical Data
Section 3.	Safety
Section 4.	Operation
Section 5.	Maintenance
Section 6.	Inspection/Examination
Section 7.	Assembly
Section 8.	Responsibilities (of the owner/operator)
Section 9.	Declaration of Conformity
Section 10/11.	Parts diagrams



2. GENERAL

2.1. Identification

Supplier: Sealey Power Products,
Kempson Way,
Suffolk Business Park,
Bury St Edmunds,
Suffolk, IP32 7AR.

Model No's:

PT1000G.V2, PT3000G.V2

2.2 Technical Data

Rated Capacity

- a) For applications see Section 3 & 4.
- b) For information on parts and materials requiring specialised repair techniques see Section 6.
- c) Ambient operating temperature between -10°C and +50°C.

Model	Capacity	Test Load	Min/Max. I Beam Width	Min. Curve Radius	A	B	C	D	E
PT1000G.V2	1000kg	1500kg	64-140mm	1000mm	255mm	205mm	135mm	104mm	128mm
PT3000G.V2	3000kg	4500kg	76-203mm	1500mm	344mm	250mm	180mm	150mm	200mm

Model	Weight	Minimum Standard I-Beam Dimensions (D X W X Web):	Maximum Distance Between Spans:	Maximum Standard I-Beam Dimensions (D X W X Web):	Maximum Distance Between Spans:
PT1000G.V2	17kg	125 x 75 x 5.5mm	2500mm	250 x 125 x 7.5mm	6000mm
PT3000G.V2	41kg	200 x 100 x 7.0mm	2700mm	850 x 150 x 9.0mm	4500mm

3. SAFETY

- ✓ **Keep** trolley and beams in good working order and condition. Follow the inspection requirements as described in Section 6. Maintenance. *Take immediate action to repair or replace damaged parts by contacting your supplier. Ensure that all accessory lifting devices are suitably certified. If damaged, remove from service immediately.*
- ✓ The trolley is designed to travel on a beam and carry a load up to the rated capacity. The capacity indicated on the trolley (see nameplate) is the maximum safe working load which must not be exceeded.
- ✓ **Keep** children and unauthorised persons away from the working area.
- ✓ **Keep** working area clean and tidy, free from unrelated materials and ensure that there is adequate lighting.

- ✓ **Ensure** that load does not exceed the maximum capacity of the trolley. Overloading the trolley is dangerous. Where appropriate, use only the lifting points recommended by the manufacturer of the item to be lifted, e.g. vehicle engine.
- ✓ **Ensure** that load does not exceed the maximum capacity of the I Beam that the trolley is attached to.
- ✓ **Before** lifting the load ensure that there are no obstacles which may snag the load whilst it is being lifted.
- ✓ **To** avoid injury, be fully aware of your own and other persons locations in relation to the lifting, and lowering, of the load.
- ✓ **Keep** a sound footing and balance, and ensure the floor is not slippery.
- ✗ **DO NOT** harness the load at an angle or use any attachments not verified as fit for purpose.
- ✗ **DO NOT** allow the load to swing during lifting.
- ✓ Lower load with care, ensuring that you are fully aware of the condition of the surface onto which the load is to be placed.
- ✗ **DO NOT** position any part of your body beneath the load.
- ✗ **DO NOT** use this product to perform a task for which it is not designed.
- ✗ **DO NOT** use whilst under the influence of drugs, alcohol or intoxicating medication.
- ✗ **DO NOT** lift or transport loads while personnel are in the danger zone.
- ✗ **DO NOT** allow personnel to pass under a suspended load.
- ✗ **DO NOT** use the trolley for transportation of people.
- ✗ **DO NOT** use the trolley in explosive or corrosive environments.
- ✓ After lifting, do not leave the load suspended for longer than necessary.
- ✓ Start moving the load only after it has been attached correctly and all personnel are clear of the danger zone.
- ✓ **When** not in use, store in a safe, dry, childproof area.
- ✓ **This trolley is designed for use within a garage or workshop environment.**
- **WARNING! Failure to heed safety and warning instructions may result in damage and/or personal injury and will invalidate the warranty.**

4. OPERATION

NOTE: ENSURE YOU HAVE READ AND UNDERSTOOD THE SAFETY INSTRUCTIONS BEFORE YOU OPERATE THE TROLLEY.

- 4.1. (Refer to Section 6.2 (a) regarding inspection before each and every use).
- 4.2. You must perform a risk assessment before undertaking any operations with the trolley.
- a) Connect the trolley to the load using a suitable **certified** chain hoist or similar. Ensure you are aware of the load weight, and check that it is within the capacity of the trolley and the support beam. Ensure you know the weight to be lifted.
 - b) Use only lifting points sufficient to hold the weight.
 - c) Lift only from directly above the load. **WARNING! DO NOT LIFT THE LOAD AT AN ANGLE!**
 - d) The load is moved by pulling the Drive Chain (#21) attached to the face of the unit. **WARNING! you must seek assistance if the load size prevents adequate visibility of the zone in front of the load.**
 - e) When load has been secured, remove lifting sling, support beam etc. and place trolley in a safe location.

5. MAINTENANCE

NOTE: The trolley MUST be kept clean and dry and must be maintained in accordance with these instructions.

- 5.1. **Lubrication.**
Oil all working parts monthly or more in dusty conditions.
- 5.2. **Storage:** When not in use store in a safe, dry childproof location.

6. INSPECTION/EXAMINATION

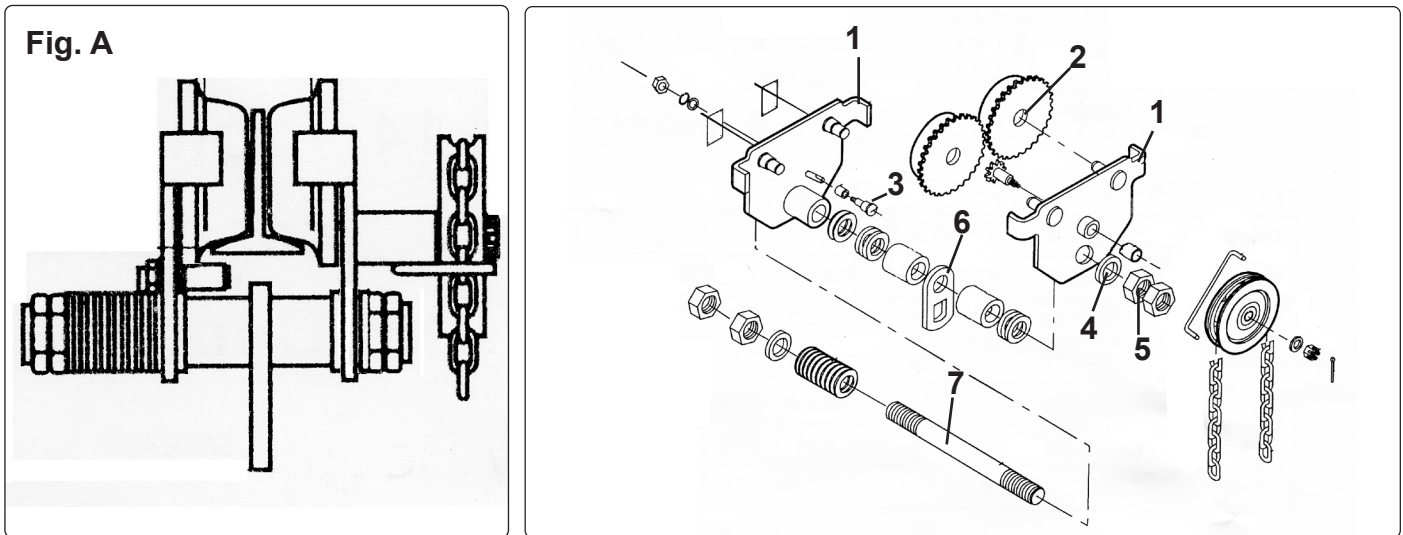
- 6.1. **Inspection and Examination of trolley Before Use.**
- a) Before each use of the trolley you must perform an inspection for damaged, loose, missing parts, corrosion, wear, or other irregularities.
 - b) The trolley must be examined immediately if it has been subject to an abnormal load or shock. It is recommended that such an examination is made by an authorised service agent.
 - c) The owner and/or operator must be aware that repair of this equipment will require specialised knowledge and facilities. It is recommended that an annual examination of the trolley is made by an authorised service agent.
 - d) Unauthorised parts may be dangerous and will invalidate the warranty.
- Note! Please see the Definition of 'inspection' and 'examination' below.**
- 6.2. **Inspection:**
Looking at the trolley for defects and checking the operation without loading the trolley.
This is much more than a check but does not normally require any part of the trolley to be dismantled.
Inspections are instigated by the user.
- 6.3. **Examination:**
Verification that the trolley can safely continue in service including a functional test to verify that it operates within the required tolerances. An examination is more thorough than an inspection. All examinations and inspections should be carried out by a competent person.

7. ASSEMBLY

Note: Numbers in brackets refer to item numbers as shown in diagrams in sections 10 & 11.

- 7.1. Measure the actual width of the runway beam.
- 7.2. Evenly assemble the required number of spacer washers to the inside of the trolley side plates so that the dimension between trolley wheel flanges (2) are 6mm (MAX) greater than the runway beam width.
- 7.3. Assemble the remaining washers outside the trolley side plates (1) and fit the washers and nuts (4 & 5) to the hanger pin (7).
Note: There must always be at least one washer on the inside and the outside of each trolley side plate.
Note: When assembled at the minimum beam width, you will require the Hanger Pin (10) to be offset so as to not foul the handwheel (see Fig. A).
- 7.4. Slacken the hanger pin nuts (5) and spread the side plates (1) so that the wheels (2) can be slipped over the runway beam.
- 7.5. Screw the nuts (5) firmly against the washers (4) then suspend a light load from the trolley to ensure that all four wheels (2) contact the runway beam.

- 7.6. Tighten the nuts and then secure with the second (lock) nut.
- 7.7. Adjust roll spindle (3) to the beam.



8. RESPONSIBILITIES

The owner and/or operator shall study these instructions and retain them for future use.

a) Understanding instructions and warnings.

The owner and/or operator shall understand the operating instructions and warnings before operating the trolley. Warning information must be emphasised and understood.

If the operator is not fluent in English, the product instructions and warnings must be read to, and discussed with, the operator in the operator's native language by the owner, making sure the operator understands the contents.

b) Damaged Trolleys.

Any trolley which appears to be damaged, badly worn, or operates abnormally **MUST BE REMOVED FROM SERVICE!**

It is recommended that necessary repairs be made by an authorised service agent.

c) End of service.

Through years of normal wear, the trolley will eventually become unserviceable. When this happens dispose of in accordance with local authority regulations.

9. INTRODUCTION

Suitable for use with our lever hoists or chain blocks. Designed for mounting onto an I-beam or RSJ to allow load to be manoeuvred sideways. Geared block trolleys make it easier to move heavy loads along the gantry by using chain rather than manual handling. Incorporates wheel guards to prevent contact with other trolleys mounted on same load bearer.

10. DECLARATION OF CONFORMITY



EC DECLARATION OF CONFORMITY

Description and Function: **Trolley Geared 1tonne & 3tonne**

Model/Type: **PT1000G v2 & PT3000G v2**

Manufacturing Date/Serial Number where applicable:

Declaration of Conformity in accordance with Directive(s):
 2006/42/EC Machinery Directive

References to harmonised standard(s)
 EN 13157:2004+A1:2009

This declaration of conformity is issued under the sole responsibility of the manufacturer:

Sealey EU Ltd, Farney Street, Carrickmacross, Co. Monaghan, A81 PK68 Ireland

Technical file compiled by: **Sealey EU Ltd**

Being the responsible person appointed by the manufacturer.

Signed: *Steve Buckle*

Date: 29/07/2021

Name: Steve Buckle

Position: Marketing Director

Place: Carrickmacross

Sealey EU Ltd, Farney Street, Carrickmacross, Co. Monaghan, A81 PK68 Ireland

sales@sealey.ie www.sealey.ie



DECLARATION OF CONFORMITY

Description and Function: **Trolley Geared 1tonne & 3tonne**

Model/Type: **PT1000G v2 & PT3000G v2**

Manufacturing Date/Serial Number where applicable:

Declaration of Conformity in accordance with Regulation(s):
 Supply of Machinery (Safety) Regulations 2008

References to designated standard(s)
 EN 13157:2004+A1:2009

This declaration of conformity is issued under the sole responsibility of the manufacturer:

Jack Sealey Ltd, Kempson Way, Suffolk Business Park, Bury St Edmunds, Suffolk. IP32 7AR

Technical file compiled by: **Jack Sealey Ltd**

Being the responsible person appointed by the manufacturer.

Signed: *Steve Buckle*

Date: 29/07/2021

Name: Steve Buckle

Position: Marketing Director

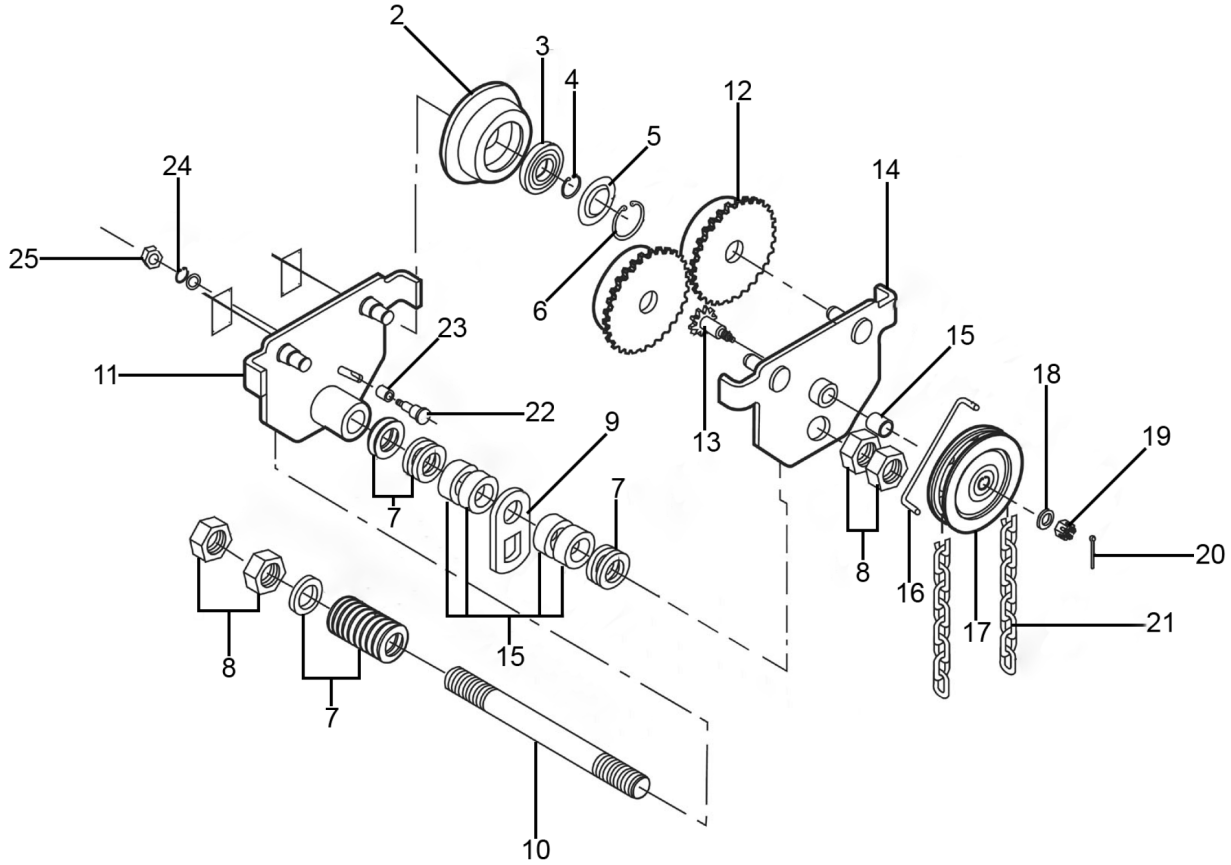
Place: Bury St Edmunds

Sealey Group, Kempson Way, Suffolk Business Park, Bury St Edmunds, Suffolk. IP32 7AR

01284 757500 01284 703534 sales@sealey.co.uk www.sealey.co.uk



Parts Information:
Trolley Geared 1tonne
Model No: PT1000G.V2



Item	Part No.	Description
2	PT1000G.V2-02	Driven Wheel
3	PT1000G.V2-03	Bearing
4	PT1000G.V2-04	Retaining Ring
5	PT1000G.V2-05	Bearing Ring
6	PT1000G.V2-06	Retaining Ring
7	PT1000G.V2-07	Spacer Washer
8	PT1000G.V2-08	Hex Nut
9	PT1000G.V2-09	Lifting Ring
10	PT1000G.V2-10	Pin
11	PT1000G.V2-11	Gear Case Assembly, Left
12	PT1000G.V2-12	Tooth Gear
13	PT1000G.V2-13	Driven Spindle

Item	Part No.	Description
14	PT1000G.V2-14	Gear Case Assembly, Right
15	PT1000G.V2-15	Copper Sleeve
16	PT1000G.V2-16	Catch Pin
17	PT1000G.V2-17	Chain Wheel
18	PT1000G.V2-18	Spacer Washer
19	PT1000G.V2-19	Hex Nut
20	PT1000G.V2-20	Split Pin
21	PT1000G.V2-21	Chain
22	PT1000G.V2-22	Roll Spindle
23	PT1000G.V2-23	Roll Sleeve
24	PT1000G.V2-24	Spring Washer
25	PT1000G.V2-25	Hex Nut

NOTE: It is our policy to continually improve products and as such we reserve the right to alter data, specifications and component parts without prior notice. There may be alternative versions of this product, please contact us should you require this information.

IMPORTANT: No liability is accepted for incorrect use of product. Spare parts must be fitted by a competent person

WARRANTY: Guarantee is 12 months from purchase date, proof of which will be required for any claim.

Sealey Group, Kempson Way, Suffolk Business Park, Bury St Edmunds, Suffolk. IP32 7AR



01284 757500



01284 703534



sales@sealey.co.uk

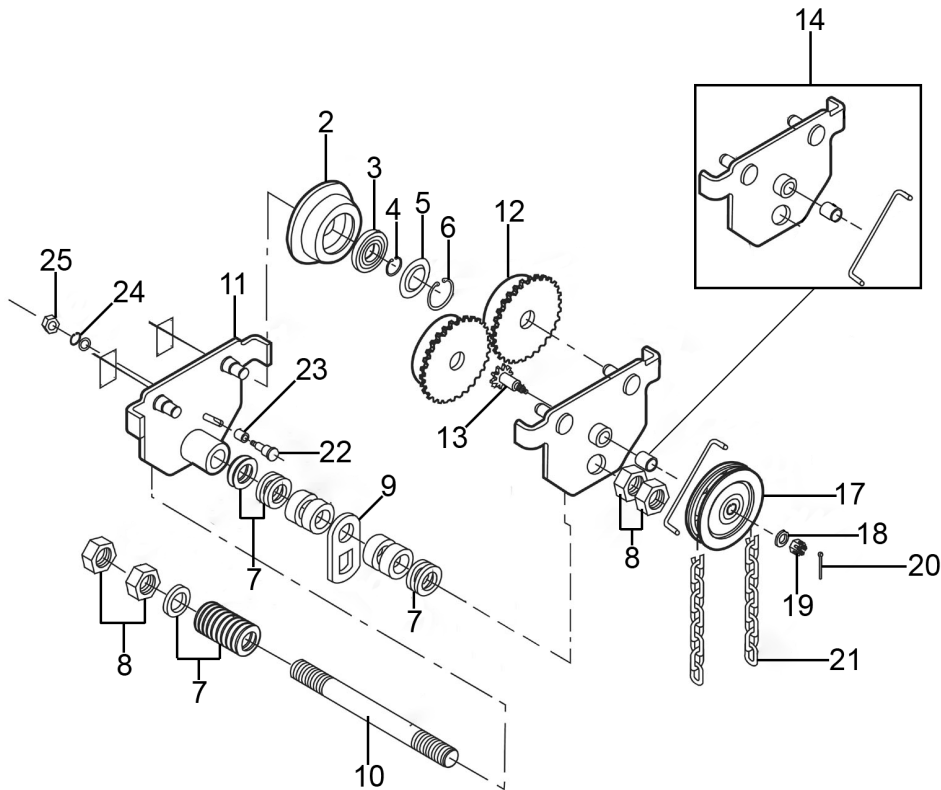


www.sealey.co.uk

12. PARTS DIAGRAM PT3000G.V2



Parts Information:
Trolley Geared 3tonne
Model No: PT3000G.V2



Item	Part No.	Description	Item	Part No.	Description
2	PT3000G.V2-02	Driven Wheel	13	PT3000G.V2-13	Driven Spindle
3	PT3000G.V2-03	Bearing	14	PT3000G.V2-14	Gear Case Assembly, Right
4	PT3000G.V2-04	Retaining Ring	17	PT3000G.V2-17	Chain Wheel
5	PT3000G.V2-05	Bearing Ring	18	FWM12.SB	Flat Washer M12 Black
6	PT3000G.V2-06	Retaining Ring	19	PT3000G.V2-19	Hex Nut
7	PT3000G.V2-07	Spacer Washer	20	PT3000G.V2-20	Cotter Pin
8	PT3000G.V2-08	Hex Nut	21	PT3000G.V2-21	Chain
9	PT3000G.V2-09	Lifting Ring	22	PT3000G.V2-22	Roll Spindle
10	PT3000G.V2-10	Pin	23	PT3000G.V2-23	Roll Sleeve
11	PT3000G.V2-11	Gear Case Assembly, Left	24	PT3000G.V2-24	Spring Washer
12	PT3000G.V2-12	Tooth Gear	25	PT3000G.V2-25	Hex Nut

NOTE: It is our policy to continually improve products and as such we reserve the right to alter data, specifications and component parts without prior notice. There may be alternative versions of this product, please contact us should you require this information.

IMPORTANT: No liability is accepted for incorrect use of product. Spare parts must be fitted by a competent person

WARRANTY: Guarantee is 12 months from purchase date, proof of which will be required for any claim.

Sealey Group, Kempson Way, Suffolk Business Park, Bury St Edmunds, Suffolk. IP32 7AR



01284 757500



01284 703534



sales@sealey.co.uk



www.sealey.co.uk

Page 1 of 1

PT3000G.V2 Issue 3 DPL 14/01/21



ENVIRONMENT PROTECTION

Recycle unwanted materials instead of disposing of them as waste. All tools, accessories and packaging should be sorted, taken to a recycling centre and disposed of in a manner which is compatible with the environment. When the product becomes completely unserviceable and requires disposal, drain any fluids (if applicable) into approved containers and dispose of the product and fluids according to local regulations.



REGISTER YOUR PURCHASE HERE

Note: It is our policy to continually improve products and as such we reserve the right to alter data, specifications and component parts without prior notice.

Important: No Liability is accepted for incorrect use of this product.

Warranty: Guarantee is 12 months from purchase date, proof of which is required for any claim.

Sealey Group, Kempson Way, Suffolk Business Park, Bury St Edmunds, Suffolk. IP32 7AR



01284 757500



sales@sealey.co.uk



www.sealey.co.uk