

Thank you for purchasing a Sealey product. Manufactured to a high standard, this product will, if used according to these instructions, and properly maintained, give you years of trouble free performance.

IMPORTANT: PLEASE READ THESE INSTRUCTIONS CAREFULLY. NOTE THE SAFE OPERATIONAL REQUIREMENTS, WARNINGS & CAUTIONS. USE THE PRODUCT CORRECTLY AND WITH CARE FOR THE PURPOSE FOR WHICH IT IS INTENDED. FAILURE TO DO SO MAY CAUSE DAMAGE AND/OR PERSONAL INJURY AND WILL INVALIDATE THE WARRANTY. KEEP THESE INSTRUCTIONS SAFE FOR FUTURE USE.



Refer to instruction manual



Wear a face shield



Wear protective gloves



Wear safety footwear



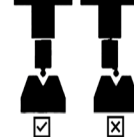
Wear protective clothing



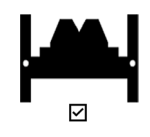
Beware crushing of hands



No reaching in



Piston rod should face workpiece



Place V block correctly

1. SAFETY

- ✓ Familiarise yourself with the applications, limitations and hazards of the press.
- ✓ Maintain the press in good condition (use an authorised service agent).
- ✓ Replace or repair damaged parts. Use recommended parts only. Unauthorised parts may be dangerous and will invalidate the warranty.
- ✓ Keep the press clean for best and safest performance.
- ✓ Locate the press in a suitable work area, on a surface that is stable, level, dry, not slippery, and capable of sustaining the load.
- ✓ Keep area clean and tidy and free from unrelated materials, and ensure there is adequate lighting.
- ☐ **WARNING!** Always wear approved eye or face protection when operating the press.
- ✓ Remove ill fitting clothing. Remove ties, watches, rings and other loose jewellery, and contain long hair.
- ✓ Keep hands and body clear of the work table when operating the press.
- ✓ Maintain correct balance and footing. **DO NOT** over reach. Ensure the floor is not slippery and wear non-slip shoes.
- ✓ Keep children and unauthorised persons away from the working area.
- ✗ **DO NOT** use the press for a task it is not designed to perform.
- ✗ **DO NOT** adjust or tamper with the safety valve, or make any modifications to the press.
- ✗ **DO NOT** exceed the rated capacity of the press. Avoid applying excessive force, use the pressure gauge to determine the applied load.
- ✗ **DO NOT** apply off-centre loads. Ensure that workpiece is centrally loaded and correctly secured before operating the press.
- ✗ **DO NOT** allow the workpiece or the arbor plates to fall from the press work bench.
- ✗ **DO NOT** get the press wet or use in damp or wet locations or areas where there is condensation.
- ✗ **DO NOT** operate the press when you are tired or under the influence of alcohol, drugs or intoxicating medication.
- ✗ **DO NOT** climb upon the press.
- ✗ **DO NOT** use if bent, broken, cracked, leaking or otherwise damaged, or if press has been subjected to a shock load.
- ✗ **DO NOT** operate the press if any parts are missing as this may cause failure and/or possible personal injury.
- ✗ **DO NOT** use the press to compress a spring or any other item that could disengage and cause a potential hazard.
- ✗ **DO NOT** stand directly in front of loaded press and never leave loaded press unattended.
- ✗ **DO NOT** allow untrained persons to operate the press.
- ▲ **DANGER!** This model is purpose designed to withstand greater loads than the hydraulic unit can develop. For safety reasons, always ensure the workpiece and press tools are secured on the table and will not flex or suddenly give way, causing danger to operator or the workpiece.
- ☐ **WARNING! DO NOT use brake fluid, or any fluid other than a good quality jack oil, such as SEALEY HYDRAULIC JACK OIL, as this may cause serious damage to the press and will invalidate the warranty.**
- ✓ When not in use, release pressure from the pump and clean the press. Stand or store the arbors in a safe, childproof location.

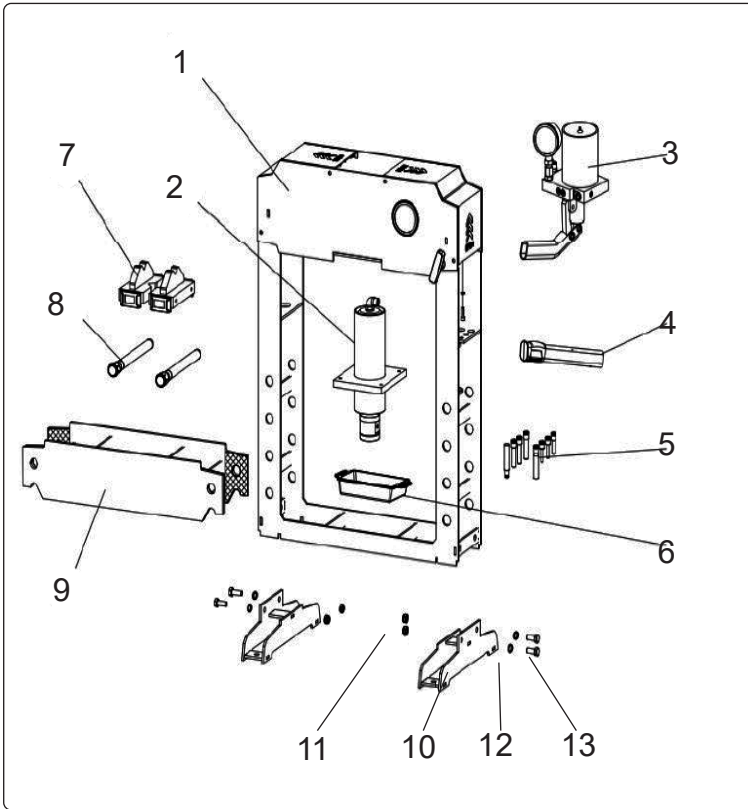
2. INTRODUCTION

Heavy-duty steel frame construction with handle operated hydraulic pump unit. Screw adjustable ram and adjustable work area with removable tray. Frame head fitted with ram pressure gauge. Storage for press pins included in frame. Supplied with press pins, flat pressing plate/V-blocks. Suitable for workshop use or by the serious motoring enthusiast.

3. SPECIFICATION

Model No:.....	PPB15S
Capacity:.....	15tonne
Maximum Height - Ram to Table:.....	385mm
Minimum Height - Ram to Table:.....	45mm
Overall Height:.....	855mm
Ram Diameter:.....	Ø78mm
Ram Stroke:.....	95mm
Screw Extension:.....	75mm
Table Aperture:.....	147mm
Total Ram Travel:.....	170mm
Type:.....	Bench Type
Working Table Depth:.....	163mm
Overall Width/Working Table Width:.....	565mm

4. CONTENTS



ITEM NO.	DESCRIPTION
1	Frame Assembly
2	Ram Cylinder Assembly
3	Oil Pump Assembly
4	Pump Handle
5	Pin Set
6	Press Tray
7	V-Block Set
8	Bed Frame Pin
9	Bed Frame
10	Foot Assembly
11	Locking Nut M10
12	M10 Spring Washer
13	M10x25 Hex. Hd. Set screw

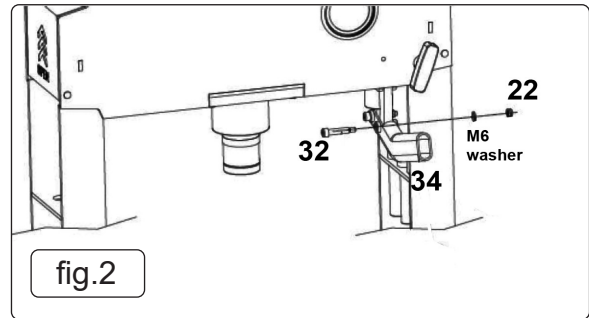
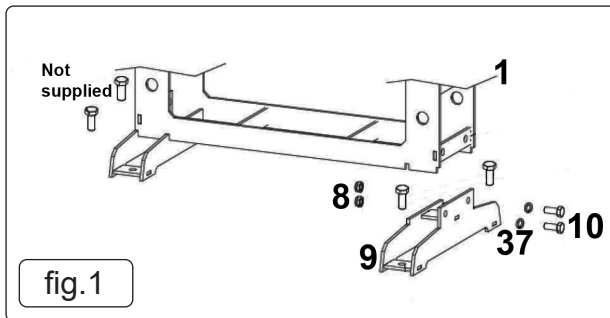
5. ASSEMBLY

- ❑ **WARNING!** These presses are heavy, the use of a lifting appliance is recommended.
- NOTE:** Refer to Parts List for part number details.

5.1. FIT FEET fig.1

5.1.1. Attach the permanent press feet (fig.1.8, fig.1.9, fig.1.10)

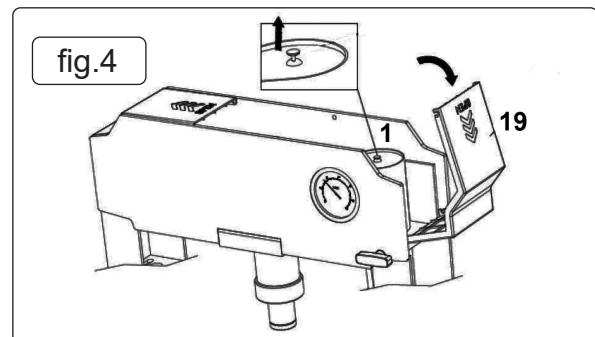
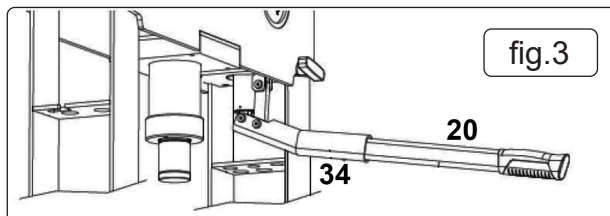
5.1.2. It is recommended that the press is firmly secured to the bench using suitable fixings for the nature of the supporting structure/bench.



5.2. FIT PUMP HANDLE fig.2, fig.3

5.2.1. Fig.2: Assemble part 34 with parts 32 and 22 (2pcs).

5.2.2. Fig.3: Assemble part 20 with part 34.



6. OPERATION

6.1. BLEED HYDRAULIC CIRCUIT fig.4

- 6.1.1. Open pump compartment fig.4.19.
- 6.1.2. Lift central plunger of oil filler plug part fig.4.1.
- 6.1.3. Open release valve fig.6 by turning 180° counter clockwise.
- 6.1.4. Pump handle ten times.
- 6.1.5. Close release valve by turning handle clockwise.
- 6.1.6. Press is ready to use.

6.2. USING THE PRESS

- 6.2.1. Insert the mandrel/saddle or pin into the ram head and secure with the grub screw (fig.5).
- 6.2.2. Lift or lower the table to the required height and insert the pins to support it.
- 6.2.3. Place the V block on the press table, then place workpiece onto the V block plate and align beneath the ram as required.

NOTE: Care must be taken to ensure a V block does not fall from the press work table. If necessary hold the configuration in position with clamps.

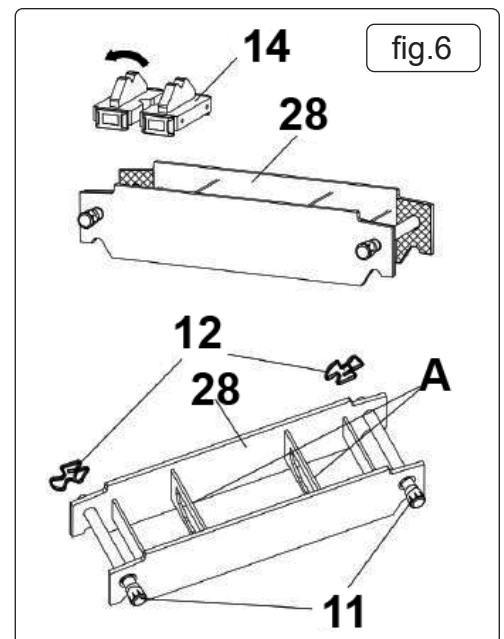
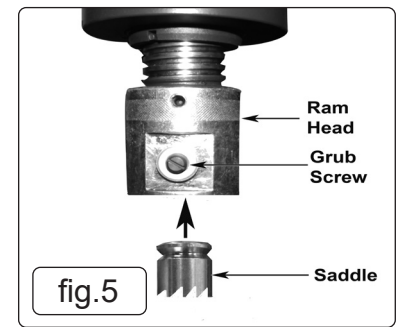
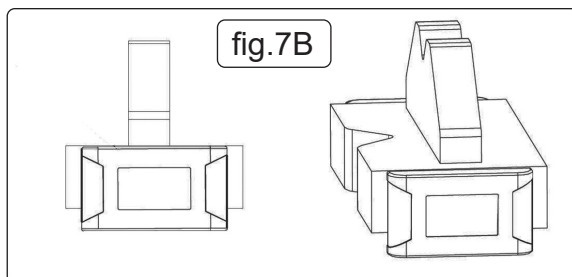
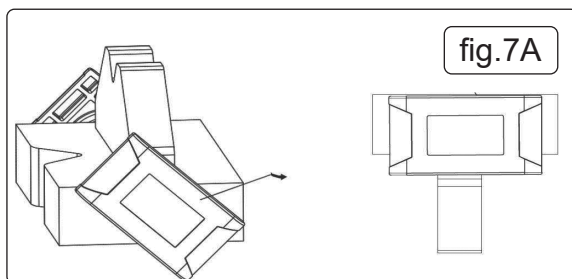
6.3. OPERATION

- 6.3.1. Ensure press is fully assembled and securely bolted to a firm, regular horizontal surface.
- 6.3.2. Only to be used by fully trained operatives who have read and fully understood the whole of this manual.
- 6.3.3. Ensure working table is at the correct height and locked into position with its pins.
- 6.3.4. Leave enough space around the press whilst it is being used.
- 6.3.5. V blocks must be used in pairs not singly.
- 6.3.6. Close pressure release valve (fig.2) by turning clockwise. Pump the handle until the piston approaches the workpiece.
- 6.3.7. Align the workpiece and the piston so that the workpiece is properly centred.
- 6.3.8. Pump the handle to apply pressure to the workpiece.
- 6.3.9. When work is finished, stop pumping and open the release valve to remove the workpiece.
- 6.3.10. When the press is not in use, ensure that the ram is retracted fully to help avoid corrosion.

6.4. TABLE OPERATION fig.6

- 6.4.1. Remove the V-Blocks from the bed frame (fig.6).
- 6.4.2. Remove the E-clips from the Bed Frame pins (fig.6).
- 6.4.3. Hold the bed frame at positions A and withdraw the pins.
- 6.4.4. Position the bed frame to the required location and insert pins and E-clips.
- 6.4.5. Replace and lock V-blocks in place.

6.5. V-BLOCK OPERATION fig.7A



7. MAINTENANCE

NOTE: Maintenance and repair must only be carried out by a qualified person. Contact your Sealey stockist for details.

- 7.1. Lubricate all joints and moving parts periodically.
- 7.2. Always keep the press clean, dry and protected from harsh conditions.
- 7.3. To check hydraulic oil level, open the right hand top cover, and remove the oil filler plug fig.6.1. If oil needs replacing, use only Sealey hydraulic jack oil. **DO NOT** use brake fluid. Contact your local Sealey stockist for details). Replace oil filler plug and purge system of air.
- 7.4. When replacing the hydraulic oil, ensure the piston is fully retracted.
- 7.5. If press efficiency begins to drop, purge the system to eliminate any air from the hydraulic system (see 6.1.).
- 7.6. When not in use, clean the press with a damp, soapy cloth. **DO NOT** use abrasive or solvent cleaners.

IMPORTANT! Owing to their size and weight, hydraulic products should ideally be repaired by local service agents. We have service / repair agents in most parts of the UK. Before returning your product please call our technical helpline on 01284 757505 for advice and trouble shooting guidance.

If the product is under guarantee please contact your Sealey stockist.

IMPORTANT: NO RESPONSIBILITY IS ACCEPTED FOR INCORRECT USE OF THE MACHINE.

Hydraulic products are only repaired by local service agents. We have service/repair agents in all parts of the UK.

DO NOT return product to us. Please telephone us on 01284 757500 to obtain the address and phone number of your local agent.

If product is under guarantee please contact your stockist.

De-commissioning Product

Should the product become completely unserviceable and require disposal, draw off the oil into an approved container and dispose of the product and the oil according to local regulations.



ENVIRONMENT PROTECTION

Recycle unwanted materials instead of disposing of them as waste. All tools, accessories and packaging should be sorted, taken to a recycling centre and disposed of in a manner which is compatible with the environment. When the product becomes completely unserviceable and requires disposal, drain any fluids (if applicable) into approved containers and dispose of the product and fluids according to local regulations.



REGISTER YOUR
PURCHASE HERE

Note: It is our policy to continually improve products and as such we reserve the right to alter data, specifications and component parts without prior notice.

Important: No Liability is accepted for incorrect use of this product.

Warranty: Guarantee is 60 months from purchase date, proof of which is required for any claim.

Sealey Group, Kempson Way, Suffolk Business Park, Bury St Edmunds, Suffolk. IP32 7AR



01284 757500



sales@sealey.co.uk



www.sealey.co.uk