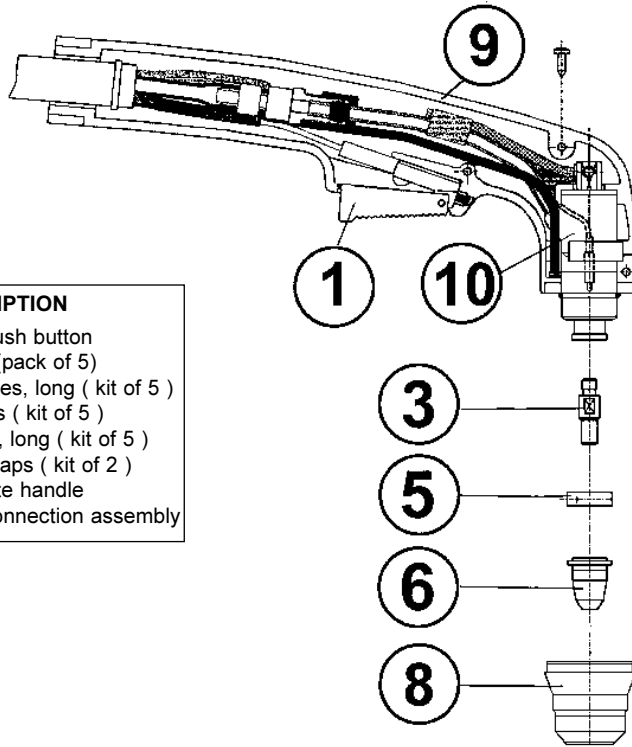
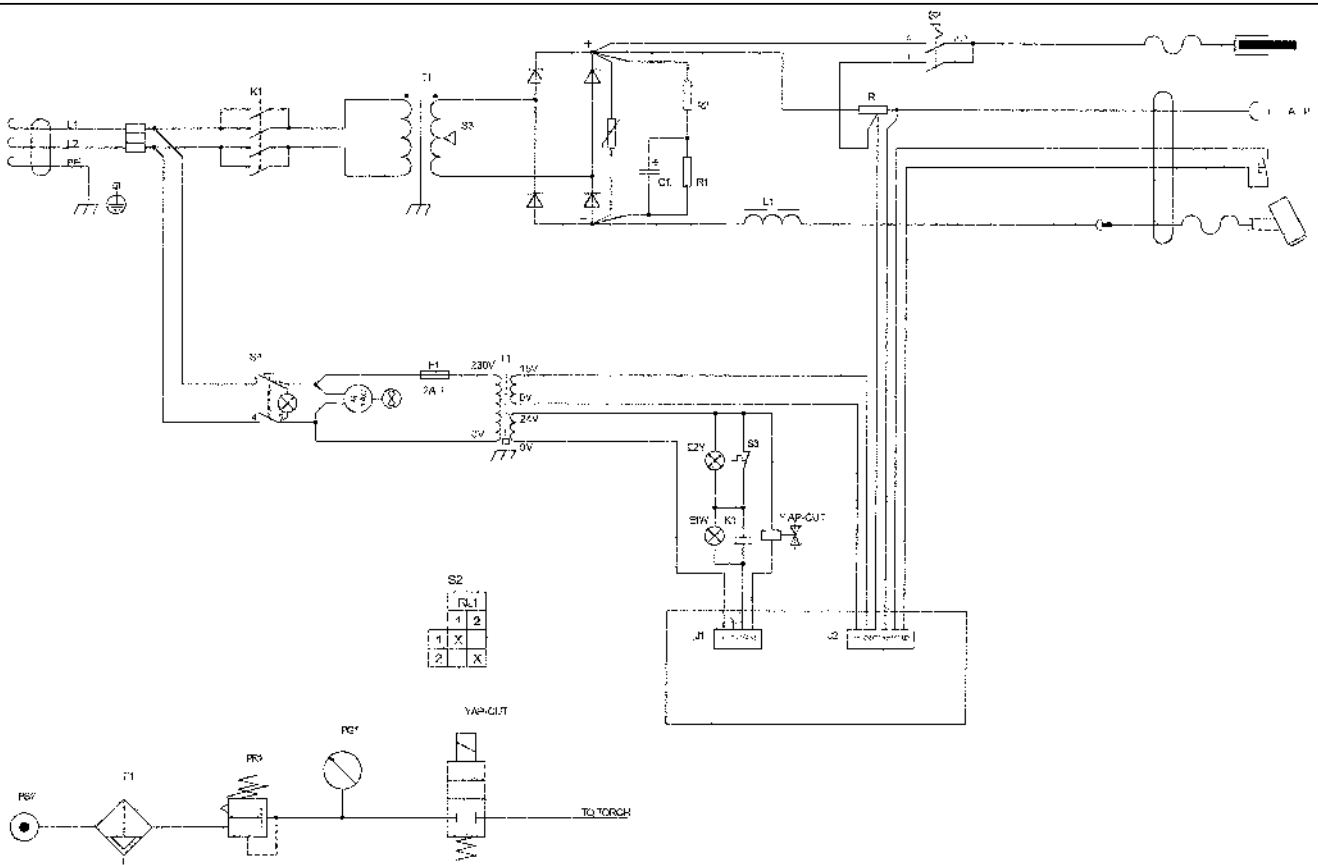


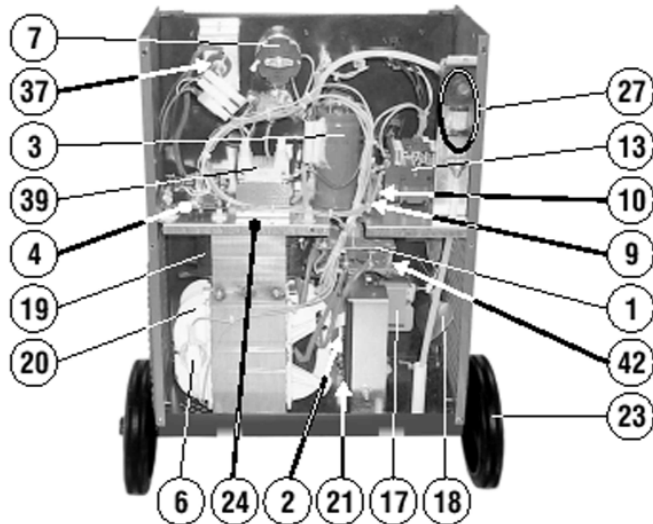
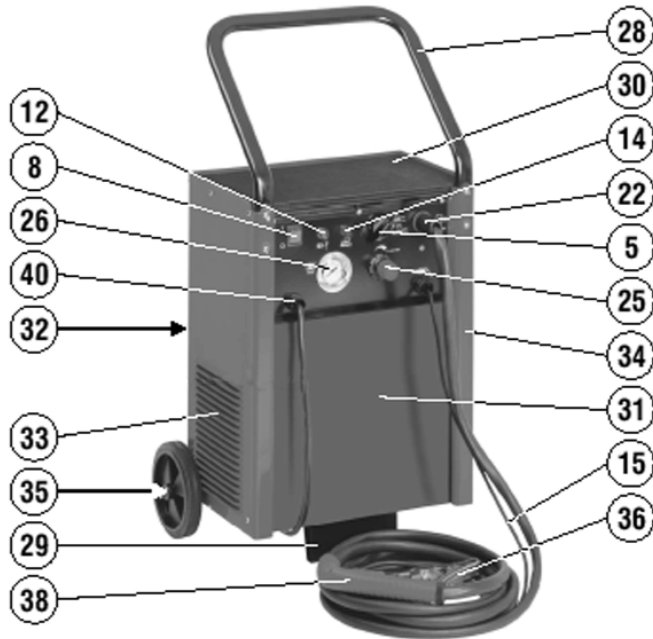
Issue: 1
 Date: 201003



ITEM.	PART NO.	DESCRIPTION
1	120/722677	Torch push button
2	120/802128	Spacer (pack of 5)
3	120/802428	Electrodes, long (kit of 5)
5	120/802422	Diffusers (kit of 5)
6	120/802429	Nozzles, long (kit of 5)
8	120/802425	Safety caps (kit of 2)
9	120/742000	Complete handle
10	120/742036	Torch connection assembly



Issue: 3
Date: 300305



ITEM.	PART NO.	DESCRIPTION
1	120.112695	Rectifier
2	120.112883	Resistance
3	120.112854	Capacitor
4	120.114318	Control
5	120.322901	Switch knob
6	120/122329	Thermostat
7	120/122347	Switch
8	120/122381	Switch
9	120/122403	Fuse holder
10	120.122437	Fuse
11	120/122497	Electro-valve
12	120/122594	Yellow lamp
13	120/122694	Contactors
14	120.122909	Pilot lamp
15	120.123422	Cable
17	120/152110	Fan motor
18	120/152111	Fan blade
19	120/169376	Reactance
20	120.169262	Transformer
21	120.116151	Resistance

ITEM.	PART NO.	DESCRIPTION
22	120/322148	Cable bushing
23	120/322198	Fixed wheel
24	120.483255	Diaphragm
25	120/602019	Air regulator
26	120/602022	Manometer
27	120/602040	Air filter
28	120/644284	Handle
29	120.644285	Foot
30	120.644528	Cover
31	120.649531	Front panel
32	120.650046	Back panel
33	120.650059	Right side panel
34	120/650060	Left side
35	120/681147	Wheel axle
36	120/712001	Work clamp
37	120.722388	Torch connection
38	120/742065	Plasma torch
39	120/169122	Auxiliary transformer
40	120/990046	Kit cable bushing + ring nut
41	120/802143	Magnetic strip
42	120.112513	Varistor