



PREMIER ENGINE CRANE 3TONNE - FIXED

MODEL NO: PFC301

Thank you for purchasing a Sealey product. Manufactured to a high standard, this product will, if used according to these instructions, and properly maintained, give you years of trouble free performance.

IMPORTANT: PLEASE READ THESE INSTRUCTIONS CAREFULLY. NOTE THE SAFE OPERATIONAL REQUIREMENTS, WARNINGS & CAUTIONS. USE THE PRODUCT CORRECTLY AND WITH CARE FOR THE PURPOSE FOR WHICH IT IS INTENDED. FAILURE TO DO SO MAY CAUSE DAMAGE AND/OR PERSONAL INJURY AND WILL INVALIDATE THE WARRANTY. KEEP THESE INSTRUCTIONS SAFE FOR FUTURE USE.



Refer to instructions



Wear protective gloves



Wear safety footwear



Wear protective clothing

1. SAFETY

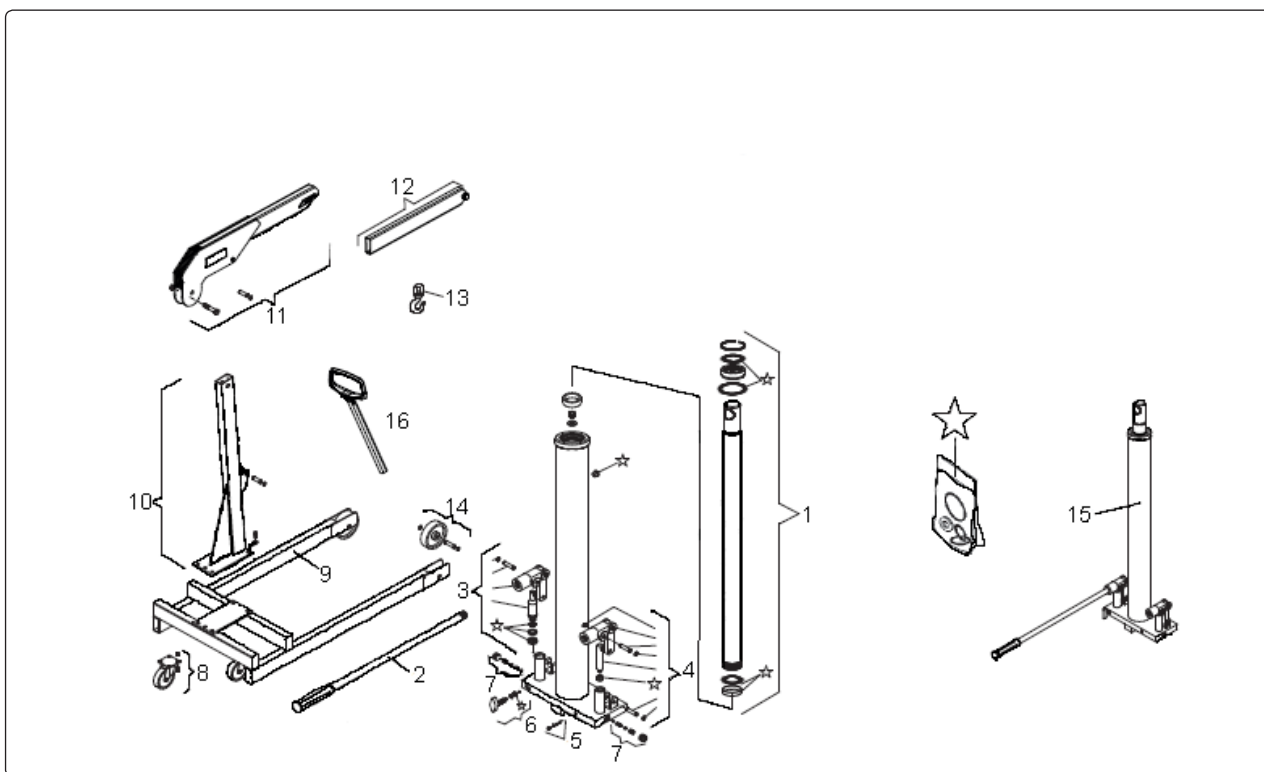
- ✓ Keep crane, lifting slings, support and beams in good working order and condition. Take immediate action to repair or replace damaged parts by contacting your supplier. Ensure that all accessory lifting devices are suitably certified.
- ❑ **WARNING!** If crane is damaged, remove from service immediately.
- ✓ Ensure the surface on which the crane is used is level, firm and capable of supporting the weight of the crane with maximum load - we recommend concrete. Never use the crane on tarmac or other soft surfaces.
- ✓ Keep children and unauthorised persons away from the working area.
- ✓ Keep working area clean and tidy, free from unrelated materials and ensure that there is adequate lighting.
- ✓ Ensure that load does not exceed the maximum lifting capacity of the crane. Overloading the crane is dangerous. Where appropriate, use only the lifting points recommended by the manufacturer of the item to be lifted, e.g. vehicle engine.
- ✓ Before lifting the load ensure that the crane jib is in the lowest practical position, that there are no obstacles which may snag the load whilst it is being lifted and that the area above the jib is clear.
- ✓ To avoid injury, be fully aware of your own and other persons locations in relation to the lifting and lowering, of the load.
- ✓ Keep a sound footing and balance, and ensure the floor is not slippery.
- ✓ Ensure jib extension is locked in position before lifting.
- ✓ Ensure the center of gravity always remains inside the crane base.
- ✗ **DO NOT** harness the load at an angle or use any attachments not verified as fit for purpose.
- ✗ **DO NOT** allow the load to swing during lifting.
- ✗ **DO NOT** allow the load to drop suddenly. Lower load with care, ensuring that you are fully aware of the condition of the surface onto which the load is to be placed.
- ✗ **DO NOT** load crane beyond its rated capacity for each specified jib extension position as indicated on the adhesive label. The capacity of the crane reduces as the jib is extended.
- ✗ **DO NOT** position any part of your body beneath the load.
- ✗ **DO NOT** use the crane to move or transport a load other than for repositioning. The crane is a lifting device only.
- ✗ **DO NOT** apply any sideways pressure to any part of the crane during lifting or when a load is suspended.
- ✗ **DO NOT** attempt to adjust the safety valve, which has been set and sealed by the manufacturer.
- ✗ **DO NOT** use this product to perform a task for which it is not designed.
- ✗ **DO NOT** use whilst under the influence of drugs, alcohol or intoxicating medication.
- ✗ **DO NOT** climb on the crane.
- ✓ When not in use fold the crane down and store in a safe, dry, childproof area.
- ✓ This crane is designed for lifting within a garage or workshop environment.
- ❑ **WARNING!** Failure to heed safety and warning instructions may result in damage and/or personal injury and will invalidate the warranty.

2. INTRODUCTION

Professional 3tonne fixed crane with parallel legs, designed to accommodate a standard size pallet and features heavy duty forged hook. Lowers rapidly with no load, whilst providing smooth, controlled lowering under load conditions. Rear swivel wheels and handle make manoeuvring the crane a simple operation. Beam can be set in four positions, with a capacity of 2000kg at its full extension of 1870mm. Crane features two pumps one for slow, safe controlled lifting and a quick lift pump. Weighs 299kg and is suitable for workshop use.

3. SPECIFICATION

Model No	PFC301
Lifting Capacity Position 1.....	3000kg
Lifting Capacity Position 2.....	2500kg
Lifting Capacity Position 3.....	2300kg
Lifting Capacity Position 4.....	2000kg
Max. Lift Ht. at Max. Jib Ext. Position 1.....	2720mm
Max. Lift Ht. at Max. Jib Ext. Position 2.....	2850mm
Max. Lift Ht. at Max. Jib Ext. Position 3.....	2950mm
Max. Lift Ht. at Max. Jib Ext. Position 4.....	3050mm
Length of Jib Position 1.....	1430mm
Length of Jib Position 2.....	1580mm
Length of Jib Position 3.....	1730mm
Length of Jib Position 4.....	1870mm
Height Jib Down.....	1930mm
Length.....	2400mm
Rear Width.....	1275mm
Width Inside Front Frame.....	1100mm
Width Front Frame.....	1300mm
Height of Frame.....	265mm
Weight.....	299kg
Oil Capacity.....	1300ml



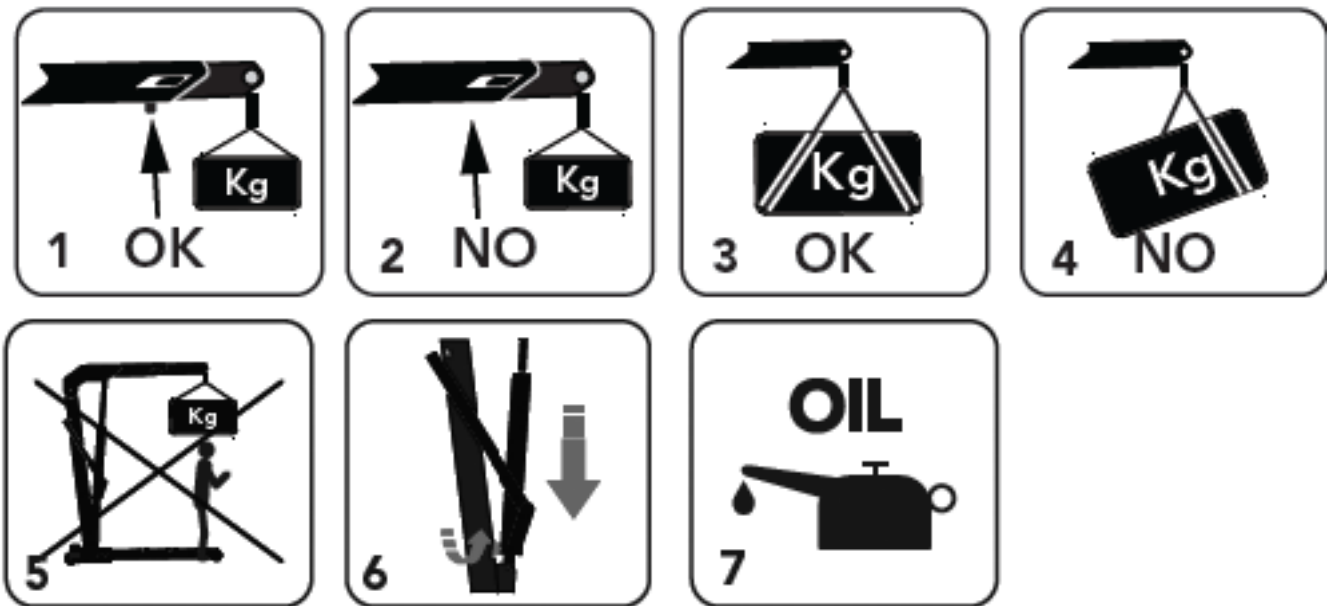
4. ASSEMBLY AND OPERATION

- ❑ **WARNING!** Due to heavy elements, it is essential to carry out the following assembly processes with the help of other people.
- 4.1. Wedge the wheels to avoid the movement of the crane.
- 4.2. Fixed cranes are assembled by positioning the column (10) on the legs (9), securing it with the screws provided.
- 4.3. The arm (11) is then assembled with its slide (12) to the column and finally to the hydraulic unit (15) on a support located on the column. The operation is completed with the securing of the central piston to the arm (11) using a rivet and two elastic rings.
- 4.4. Before using the crane, it is necessary to purge air from the valve system of the hydraulic unit by turning the release valve (6) anti-clockwise and, whilst held in this position, pumping the crane several times. Close the release valve (6) clockwise until it is fully closed.
- 4.5. To lift the load, activate the lever (2). If lifting an engine, secure it at the points recommended by the manufacturer.
- 4.6. To lower the load, turn the release valve (6) very slowly anti-clockwise. Our cranes are fitted with a safety device that only permits the load to be lowered smoothly by automatically controlling the speed at a rate dependant upon the size of the load (L.C.S.).
- 4.7. Following use of the crane, the piston of the hydraulic unit and the jib should be fully retracted.

5. MAINTENANCE

Important: Both the maintenance and repair of this crane may only be carried out by qualified and authorized personnel, who are familiar with the hydraulic systems used.

- 5.1. Clean and lubricate the axes of the moving parts of the crane (5) at regular intervals. The crane should be kept clean and protected from aggressive conditions at all times.
- 5.2. Only original spare parts should be used.
- 5.3. Withdraw the crane from service if it is suspected that it has been subjected to abnormal loads or has suffered any type of knock until the problem has been resolved.
- 5.4. If the oil level needs to be checked or refilled, dismantle the hydraulic unit and with the piston fully retracted, remove the filler plug and drain its contents into a container. With the hydraulic in a horizontal position, proceed to introduce the necessary volume for each model as indicated in these instructions. Avoid the entrance of any dirt with the new oil. Important: An excess of oil over the volume required may affect the operation of the crane.
- 5.5. Only use hydraulic oil, **DO NOT** use brake fluid.
- 5.6. When the crane is not in use, it should be fully retracted in the lowest position so as to minimize piston corrosion (4). It is recommended to apply an anti-corrosion product to the main piston and to the pump.
- 5.7. Store the crane in a dry, clean place, out of the reach of children.



ENVIRONMENT PROTECTION



Recycle unwanted materials instead of disposing of them as waste. All tools, accessories and packaging should be sorted, taken to a recycling centre and disposed of in a manner which is compatible with the environment. When the product becomes completely unserviceable and requires disposal, drain any fluids (if applicable) into approved containers and dispose of the product and fluids according to local regulations.

Note: It is our policy to continually improve products and as such we reserve the right to alter data, specifications and component parts without prior notice.

Important: No Liability is accepted for incorrect use of this product.

Warranty: Guarantee is 12 months from purchase date, proof of which is required for any claim.

Sealey Group, Kempson Way, Suffolk Business Park, Bury St Edmunds, Suffolk. IP32 7AR



01284 757500



01284 703534



sales@sealey.co.uk



www.sealey.co.uk