



60LTR WET & DRY VACUUM CLEANER 1600W STAINLESS STEEL DRUM

MODEL NO: PC460

Thank you for purchasing a Sealey product. Manufactured to a high standard, this product will, if used according to these instructions, and properly maintained, give you years of trouble free performance.

IMPORTANT: PLEASE READ THESE INSTRUCTIONS CAREFULLY. NOTE THE SAFE OPERATIONAL REQUIREMENTS, WARNINGS & CAUTIONS. USE THE PRODUCT CORRECTLY AND WITH CARE FOR THE PURPOSE FOR WHICH IT IS INTENDED. FAILURE TO DO SO MAY CAUSE DAMAGE AND/OR PERSONAL INJURY AND WILL INVALIDATE THE WARRANTY. KEEP THESE INSTRUCTIONS SAFE FOR FUTURE USE.



Read before first use



Wear eye protection



Indoor use only



Wear protective clothing



Wear protective gloves

1. SAFETY

1.1. ELECTRICAL SAFETY

- ❑ **WARNING!** It is the user's responsibility to check the following:
Check all electrical equipment and appliances to ensure that they are safe before using. Inspect power supply leads, plugs and all electrical connections for wear and damage. Sealey recommend that an RCD (Residual Current Device) is used with all electrical products. You may obtain an RCD by contacting your local Sealey stockist.

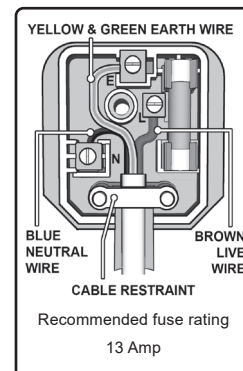
If the product is used in the course of business duties, it must be maintained in a safe condition and routinely PAT (Portable Appliance Test) tested.

Electrical safety information, it is important that the following information is read and understood.

- 1.1.1. Ensure that the insulation on all cables and on the appliance is safe before connecting it to the power supply.
- 1.1.2. Regularly inspect power supply cables and plugs for wear or damage and check all connections to ensure that they are secure.
- 1.1.3. **Important:** Ensure that the voltage rating on the appliance suits the power supply to be used and that the plug is fitted with the correct fuse - see fuse rating in these instructions.

- * **DO NOT** pull or carry the appliance by the power cable.
- * **DO NOT** pull the plug from the socket by the cable.
- * **DO NOT** use worn or damaged cables, plugs or connectors. Ensure that any faulty item is repaired or is replaced immediately by a qualified electrician.

- 1.1.4. This product is fitted with a BS1363/A 13 Amp 3 pin plug.
If the cable or plug is damaged during use, switch the electricity supply and remove from use.
Ensure that repairs are carried out by a qualified electrician.
Replace a damaged plug with a BS1363/A 13 Amp 3 pin plug. If in doubt contact a qualified electrician.
 - a) Connect the GREEN/YELLOW earth wire to the earth terminal 'E'.
 - b) Connect the BROWN live wire to the live terminal 'L'.
 - c) Connect the BLUE neutral wire to the neutral terminal 'N'.Ensure that the cable outer sheath extends inside the cable restraint and that the restraint is tight.
Sealey recommend that repairs are carried out by a qualified electrician.



1.2. GENERAL SAFETY

- ✓ Disconnect the cleaner from the power supply before servicing, changing accessories, or performing any maintenance.
- ✓ Use only genuine parts and accessories. Unauthorised parts and accessories may be dangerous and will invalidate your warranty.
- ✓ Maintain the cleaner in good condition. Use an authorised agent for servicing. Keep machine clean, but **DO NOT** use solvents.
- ✓ For dry vacuuming ensure the cartridge filter is firmly in place before operating the cleaner.
- * **DO NOT** operate the unit without the cartridge filter in place (except when wet vacuuming). **Using the cleaner without a cartridge filter will cause machine faults and will invalidate your warranty.**
- ✓ Wear protective clothing and gloves.
- * **DO NOT** allow children or untrained persons to operate the cleaner.
- * **DO NOT** place attachments close to your face (especially eyes, ears, etc). **DO NOT** point the hose end at other persons or animals.
- ▲ **DANGER! DO NOT** vacuum hot or glowing ash, cigarette ends, inflammable, explosive, corrosive or other dangerous substances.
- * **DO NOT** leave machine running unattended. Turn power supply **OFF**, and **DO NOT** leave the vicinity until motor has come to a complete stop.
- * **DO NOT** operate the cleaner while under the influence of drugs, alcohol or impairing medication, or if you are tired.
- * **DO NOT** use the cleaner in the rain or in very damp conditions.
- * **DO NOT** use the cleaner for a task it is not designed to perform.
- ✓ When not in use, store the cleaner in a safe, dry, childproof location.

2. INTRODUCTION

Industrial stainless steel drum with tough composite base and head. Supplied with 3.5mtr EVA crush resistant hose, combo nozzle, crevice tool, 380mm squeegee, vac brush, accessory tool tidy, stainless steel rigid tubes, cartridge filter and foam filter. Tank has easy empty drain cap with screw on hose. Fitted with two castors and two fixed wheels. Cable storage hooks mounted on frame, accessories and extension tube holders on base.

3. SPECIFICATION

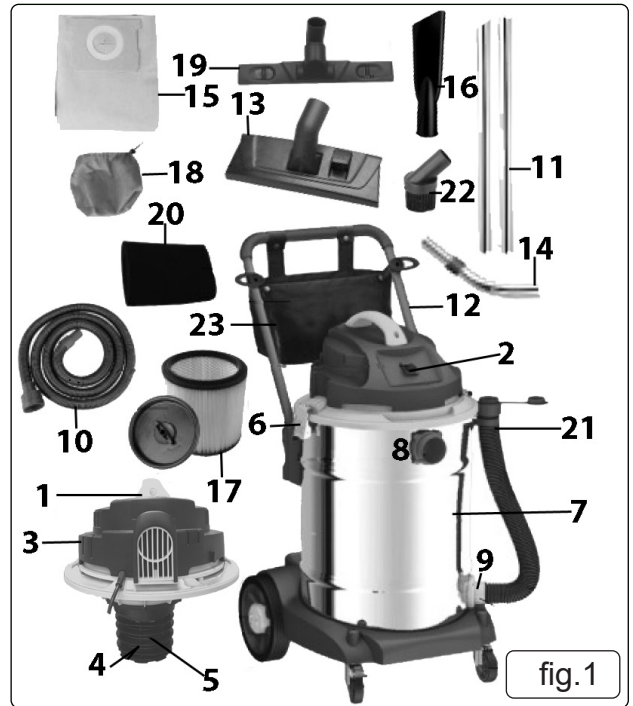
Motor power	1600W
Drum size	60L
Filter type.....	Cartridge
Supply	230V ~ 50Hz
Vac Accessories Ø.....	38mm
Cartridge filter.....	PC200CFL
Foam filter.....	PC460ACC7

4. CONTENTS

4.1. CARTON CONTENT

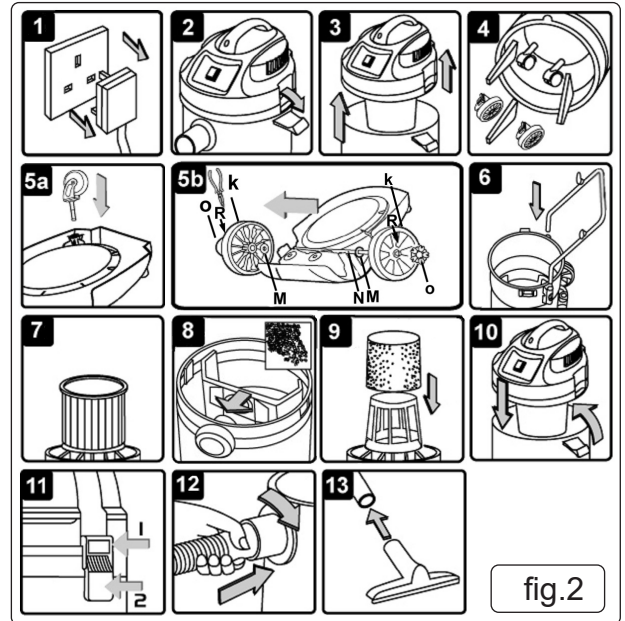
- 4.1.1. Carefully unpack the carton.
- 4.1.2. Locate the two side clasps (fig.1.6) which hold the motor head (fig.1.3) in place.
- 4.1.3. Undo the clasps, remove the motor head and take out the items in the drum.
- 4.1.4. Check and identify each component as listed below. If anything is missing or damaged please contact your supplier immediately.

Item	Description	Item	Description
1	Handle	13	Combination brush
2	ON/OFF switch	14	Air regulator handle
3	Motor head assembly	15	Dust Bag
4	Filter basket	16	Crevice nozzle
5	Safety float valve	17	Cartridge filter
6	Clasp	18	Cartridge filter bag
7	Drum, (Stainless Steel)	19	Combination nozzle
8	Vacuum hose connection	20	Foam filter
9	Drain plug	21	Liquid drain hose
10	Flexible vacuum hose	22	Brush tool
11	Suction tubes	23	Attachment bag
12	Tool holder frame/handle		



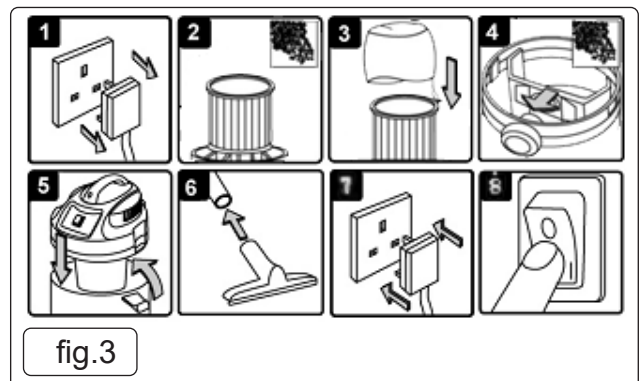
5. ASSEMBLY

- 5.1. Ensure the mains plug is disconnected. (fig.2.1)
- 5.2. Undo clasps. (fig.2.2)
- 5.3. Lift off the motor head assembly. (fig.2.3)
- 5.4. Remove contents from inside the drum. (fig.2.4)
- 5.5. Turn the drum upside down and insert the castors ensuring they are pushed all the way in. (fig.2.5a)
- 5.5.1. Insert the rear wheel shaft (N) into the rear support block. Insert washer (M) on the shaft, then insert rear wheel (K) on the shaft. Insert the lock pin (R) into the hole on the end of the shaft to lock the wheel. Snap the hub cap (O) on to the wheel. Repeat the same steps at the other end of the shaft. (fig.2.5b)
- 5.6. Insert the frame into the drum (fig.2.6) to be used as the tool tidy frame and handle to manoeuvre the vacuum.
- 5.7. For dry vacuum cleaning fit the cartridge filter supplied. (fig.2.7)
- 5.8. For dry vacuum cleaning the dust bags can also be used. (fig.2.8)
- 5.9. For wet vacuum cleaning use the foam filter supplied. (fig.2.9)
- NOTE: DO NOT operate the cleaner without a cartridge filter fitted as this will damage the machine and invalidate your warranty.**
- 5.10. Replace the motor head onto the drum. (fig.2.10)
- 5.11. Align up the motor head with the clasps and snap into place, by applying pressure at the mid point of the clasps. (fig.2.11)
- 5.12. Insert the large end of the hose into the front inlet of the drum and lock in place by turning fully clockwise. (fig.2.12)
- 5.13. Choose the desired nozzle and push it onto the suction tube. (fig. 2.13)



6. DRY VACUUM CLEANING

- ❑ **WARNING!** Ensure you read, understand and apply Section 1 'Safety Instructions'.
 - ❑ **WARNING! DO NOT** vacuum hazardous substances. Use of an incorrect cartridge filter will invalidate your warranty.
- 6.1. Ensure the machine is unplugged from the power supply. (fig.3.1)
 - 6.2. Remove the motor head assembly and fit the cartridge filter down over the filter basket and push fully home. (fig.3.2) For better dust free cleaning you can put the orange filter bag over the cartridge filter. (fig.3.3)
 - 6.3. The supplied dust bag can also be used when dry cleaning. (fig.3.4)
 - 6.4. Reposition the head onto the drum, and clip in place. (fig.3.5)
 - 6.5. Insert the larger end of the flexible hose into the front inlet on the drum and lock in place. Push the required attachment/suction tube onto the free end of the hose. (fig.3.6)



- 6.6. Plug in the power supply. (fig.3.7)
- 6.7. Switch to the 'On' (position 'I'). (fig.3.8)
- 6.8. When you have completed vacuuming, press the switch to 'Off'.

7. WET VACUUM CLEANING

- ❑ **WARNING! Ensure you read, understand and apply Section 1 'Safety Instructions'. Reminder: Remove plug from power supply before opening unit. DO NOT vacuum solvents, explosives, inflammable and/or hazardous liquids such as petrol, oil, spirits, paint, thinners, acids etc.**

- 7.1. Ensure the machine is unplugged from the power supply. (fig.4.1) Make sure the tank is clean and free from dust and dirt.
- 7.2. Remove the cartridge filter and fit a foam filter over the filter basket. (fig.4.2) Replace the motor head assembly onto the drum.
- 7.3. Fit the desired nozzle (fig.4.3) (to the same flexible hose used in dry cleaning).
- 7.4. Ensure the switch is in the 'Off' (position '0') before plugging into the power supply.
- 7.5. Press the switch to the 'On' (position 'I'). (fig.4.5)

Note: To vacuum large quantities of liquid, from a sink or tank etc, **DO NOT** immerse the nozzle completely in the liquid, leave a gap at the top of the nozzle opening to allow an air inflow. The machine is fitted with a float valve which stops the suction action when the tank has reached its maximum capacity. The user will notice an increase in motor speed. When this happens, turn off the machine, disconnect from power supply, remove the motor head assembly from the drum and empty the liquid into a suitable receptacle or drain. (fig.4.6). To continue vacuuming, refit the head and proceed. After wet vacuuming, turn the machine off and unplug from power supply. Empty the drum and clean and dry the inside and outside before storage.

- ❑ **WARNING! After wet vacuuming the foam filter must be removed and a cartridge filter must be fitted before dry vacuuming again.**
- ❑ **WARNING! Not designed for liquid storage. Always empty liquids after use and before storing.**



fig.4

8. MAINTENANCE

8.1. GENERAL MAINTENANCE.

- 8.1.1. Ensure the machine is unplugged from the power supply.
- 8.1.2. Disconnect the hose from the drum.
- 8.1.3. Undo the clasps and remove motor head assembly from the drum.
- 8.1.4. Clear out any dirt or debris from the drum and hose.
- 8.1.5. Clean the foam filter by washing it in a mild soapy solution.
- 8.1.6. Check that the suction tube operates smoothly and check the power cable to make sure it has not received any damage.

8.2. CARTRIDGE FILTER MAINTENANCE.

- 8.2.1. Handle the filter carefully when cleaning or installing.
- 8.2.2. Carefully remove the cartridge filter (fig.6.1) and inspect it for damage.
- 8.2.3. A filter that has small holes or tears in it will not perform efficiently and should be replaced.
- 8.2.4. To clean a dry filter, tap it inside a waste bin. (fig.6.2)
- ✳ **DO NOT** use the filter if it becomes wet as the filter will clog quickly and be very difficult to clean. (The cartridge filter is designed for dry vacuuming only.) Should the filter be inadvertently wetted it should be rinsed from the inside (fig.6.2) and allowed to air dry for 24 hours.
- 8.2.5. To fit a new/cleaned filter slide it over the filter basket (fig.6.3) and push it fully home (fig.6.4).

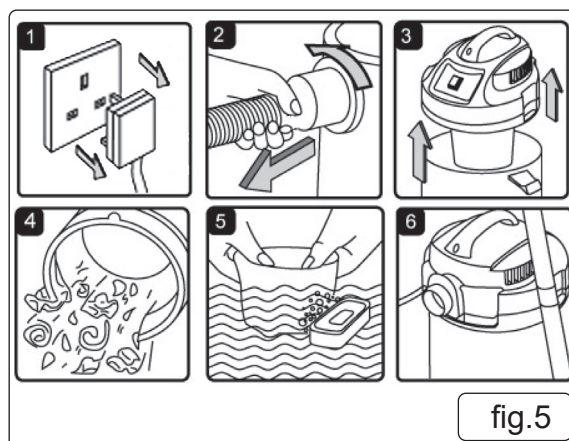


fig.5

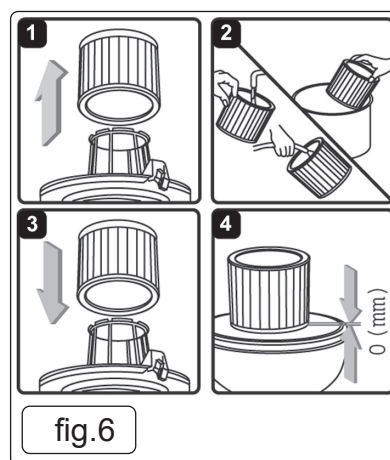


fig.6

9. TROUBLESHOOTING

Problem	Cause	Solution
Cleaner will not operate.	<ol style="list-style-type: none"> 1. No power supply. 2. Faulty power cable, switch or motor. 3. Drum full of liquid. 	<ol style="list-style-type: none"> 1. Check supply. 2. Check and repair or replace faulty item. 3. Empty drum.
Dust comes from the motor cover.	<ol style="list-style-type: none"> 1. Cartridge filter missing or damaged. 	<ol style="list-style-type: none"> 1. Fit or replace cartridge filter.
Reduced efficiency and increased motor speed/vibration.	<ol style="list-style-type: none"> 1. Dust drum full. 2. Filter clogged. 3. Nozzle, hose or drum inlet blocked. 	<ol style="list-style-type: none"> 1. Empty drum. 2. Clean or replace cartridge filter. 3. Check nozzle, hose and drum inlet for blockage.



ENVIRONMENT PROTECTION

Recycle unwanted materials instead of disposing of them as waste. All tools, accessories and packaging should be sorted, taken to a recycling centre and disposed of in a manner which is compatible with the environment. When the product becomes completely unserviceable and requires disposal, drain any fluids (if applicable) into approved containers and dispose of the product and fluids according to local regulations.



WEEE REGULATIONS

Dispose of this product at the end of its working life in compliance with the EU Directive on Waste Electrical and Electronic Equipment (WEEE). When the product is no longer required, it must be disposed of in an environmentally protective way. Contact your local solid waste authority for recycling information.

Note: It is our policy to continually improve products and as such we reserve the right to alter data, specifications and component parts without prior notice.

Important: No Liability is accepted for incorrect use of this product.

Warranty: Guarantee is 12 months from purchase date, proof of which is required for any claim.

Sealey Group, Kempson Way, Suffolk Business Park, Bury St Edmunds, Suffolk. IP32 7AR



01284 757500



01284 703534



sales@sealey.co.uk



www.sealey.co.uk