



# 40L M-CLASS DUST-FREE INDUSTRIAL VACUUM CLEANER WET & DRY WITH PLASTIC DRUM 1600W/230V

MODEL NO: **PC400MA**

Thank you for purchasing a Sealey product. Manufactured to a high standard, this product will, if used according to these instructions, and properly maintained, give you years of trouble free performance.

**IMPORTANT:** PLEASE READ THESE INSTRUCTIONS CAREFULLY. NOTE THE SAFE OPERATIONAL REQUIREMENTS, WARNINGS & CAUTIONS. USE THE PRODUCT CORRECTLY AND WITH CARE FOR THE PURPOSE FOR WHICH IT IS INTENDED. FAILURE TO DO SO MAY CAUSE DAMAGE AND/OR PERSONAL INJURY AND WILL INVALIDATE THE WARRANTY. KEEP THESE INSTRUCTIONS SAFE FOR FUTURE USE.



Refer to instruction manual



Indoor use only

## 1. SAFETY

### 1.1. ELECTRICAL SAFETY

**WARNING!** It is the user's responsibility to check the following:

- ✓ Check all electrical equipment and appliances to ensure that they are safe before using. Inspect power supply leads, plugs and all electrical connections for wear and damage. Sealey recommend that an RCD (Residual Current Device) is used with all electrical products.

**Electrical safety information.** It is important that the following information is read and understood:

- ✓ Ensure that the insulation on all cables and on the appliance is safe before connecting it to the power supply.
- ✓ Regularly inspect power supply cables and plugs for wear or damage and check all connections to ensure that they are secure.
- ✗ **Important:** Ensure that the voltage rating on the appliance suits the power supply to be used and that the plug is fitted with the correct fuse.
- ✗ **DO NOT** pull or carry the appliance by the power cable.
- ✗ **DO NOT** pull the plug from the socket by the cable.
- ✗ **DO NOT** use worn or damaged cables, plugs or connectors. Ensure that any faulty item is repaired or is replaced immediately by a qualified electrician.

If the cable or plug is damaged during use, switch off the electricity supply and remove from use.

**Ensure that repairs are carried out by a qualified electrician.**

### 1.2. GENERAL SAFETY

- ✓ This machine is not intended for use by persons (including children) with reduced physical, sensory, or mental capabilities, or lack of knowledge
- ✓ Children shall **NOT** play with the appliance
- ✓ Cleaning and user maintenance on the appliance shall not be made by children without supervision.
- ✓ The plug must be removed from the socket-outlet before cleaning or maintaining the appliance.
- ✓ Disconnect the appliance from its power source during service and when replacing parts and, if that the removal of the plug is foreseen, it shall be clearly indicated that the removal of the plug has to be such that an operator can check from any of the points to which he has access that the plug remains removed.
- ✓ Before operation, please check if the local power supply is the same as it's rated in the specification.
- ✓ If the supply cord is damaged, it must be replaced by the manufacturer, its service agent or similarly qualified persons in order to avoid a hazard.
- ✓ Remember to turn off the appliance and remove the plug every time after use or when being repaired.
- ✓ Keep machine away from strong sunlight and high temperatures in case plastic is damaged.
- ✗ **DO NOT** use this machine as a pump.
- ✗ **DO NOT** pull the appliance by the hose.
- ✗ **DO NOT** stand on the hose or appliance.
- ✗ **DO NOT** immerse the head unit in water or wash with water in case that water goes into the electronic parts and causes personal injury.
- ✗ **DO NOT** use this appliance in any combustible and explosive places in case the motor sparks and causes a fire.
- ✗ **DO NOT** jam the air inlet as this may cause temperature rises and damage to the motor.
- ✗ **DO NOT** use the appliance to collect combustible and explosive materials such as petrol, oils etc.
- ✗ **DO NOT** use the appliance to collect sharp objects like pins and screws as this may damage internal components.
- ✗ **DO NOT** use for ash, hot embers etc.
- ✗ **DO NOT** use the appliance to collect powders that can easily block the ventilation holes and damage the motor.
- ✗ **DO NOT** overturn the machine in case water goes into the motor and damages the motor.
- ✗ **DO NOT** use a cleaning agent or detergent containing solvent.
- ✗ **DO NOT** collect combustible and explosive objects such as glowing cigarettes, gasoline, etc.
- ✗ **DO NOT** collect objects which can easily attach on the filter such as calcareousness powder, grease and graphite powder because those will block the ventilation damage motor.
- ✗ **DO NOT** disassemble the inner parts of the appliances personally to avoid injury and irrecoverable damage to the appliance.
- ✗ **DO NOT** use the cleaner in the rain or in very damp conditions.

## 2. INTRODUCTION

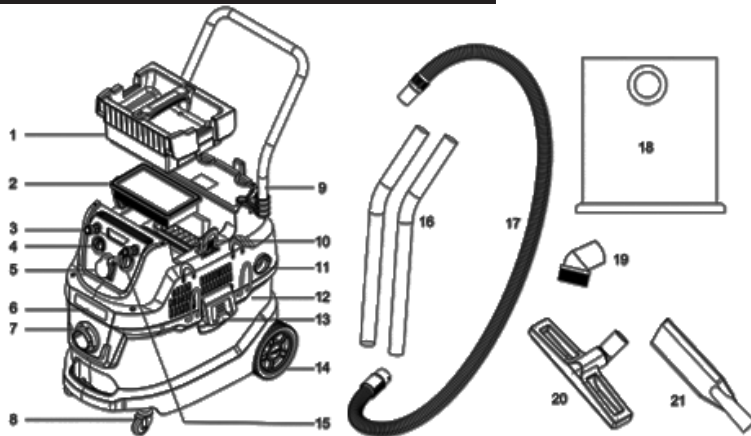
Certified for M-Class extraction which filters particles down to 1 micron, minimising exposure and keeps potentially harmful dust particles safely contained. Features a 1400W 3-pin power outlet and two quick release air fittings. These can be used to automatically turn the vacuum on/off when a power tool is turned on/off. Fitted with a shut-off valve and sponge filter for vacuuming liquid or HEPA filter for dry vacuuming. Self-Cleaning function reverses the airflow to effectively clean the filter and restore suction. This also means the vacuum can be used as a blower. Fitted with 4.5m cable and 2.5m suction hose. Supplied with two stainless steel extension tubes, washable M-Class HEPA filter, M-Class dust bag, foam filter, floor brush, round brush and crevice tool. Equipped with fixed rear wheels and two swivel castors for easy manoeuvrability.

## 3. SPECIFICATION

|                              |                    |
|------------------------------|--------------------|
| <b>MODEL NO</b>              | <b>PC400MA</b>     |
| A-Weighted Sound Pressure    | 78dB(A)            |
| Drum Size                    | 40L                |
| Drum Type                    | Plastic            |
| Filter Type                  | PET Type Cartridge |
| Fuse Rating                  | 13A                |
| IP rating                    | IPX4               |
| Maximum Vacuum Pressure      | 22KPa              |
| Motor Power                  | 1600W              |
| Nett Weight                  | 15.2kg             |
| Plug Type                    | 3-Pin BS           |
| Power Supply Cable Length    | 4.5m               |
| Power Tool Capacity          | 1400W              |
| Supply                       | 230V               |
| Vacuum Accessories Diameter  | Ø40mm              |
| <b>OPTIONAL ACCESSORIES</b>  |                    |
| Foam Filter                  | PC400MFF           |
| M-Class dust bag             | PC400MDB           |
| Washable M-Class HEPA filter | PC400MCF           |



## 4. COMPONENTS

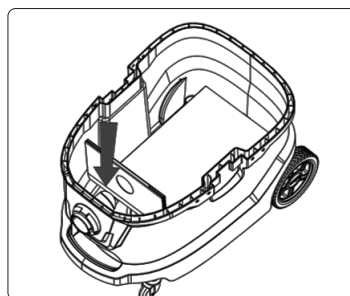
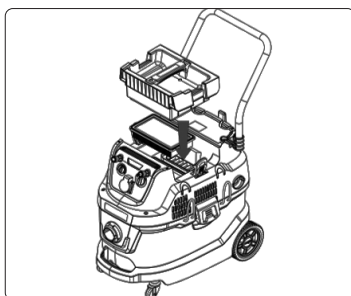


|                                |                          |
|--------------------------------|--------------------------|
| 1. Upper cover of HEPA filter  | 12. Tank                 |
| 2. HEPA filter                 | 13. Connections for tank |
| 3. Pneumatic connectors        | 14. Rear wheels          |
| 4. Suction Knob                | 15. Gear switch          |
| 5. Socket for power tools      | 16. Connection tubes     |
| 6. Machine upper section       | 17. Flexible hose        |
| 7. Suction port for hose       | 18. Dust bag             |
| 8. Front wheels                | 19. Round brush          |
| 9. Handle                      | 20. Floor brush          |
| 10. Connections for HEPA cover | 21. Crevice nozzle       |
| 11. Blower exhaust port        |                          |

## 5. ASSEMBLY

### 5.1. FILTERS

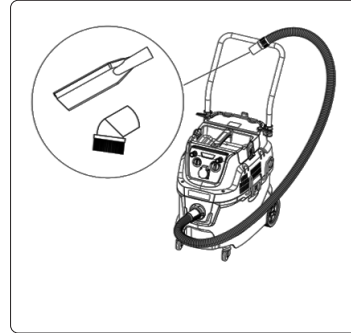
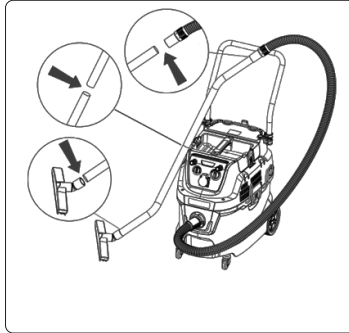
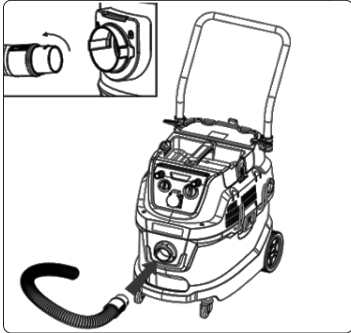
- 5.1.1. Put the HEPA filter inside the filter chamber, and lock the filter cover.
  - 5.1.2. Fit the dust bag well inside the tank; it should be locked well onto the suction port.
- ❑ **WARNING!** For vacuuming large amounts of water, take out the dust bag.



## 5.2. HOSE & ACCESSORIES

5.2.1. Insert the hose into the suction port, and twist the hose clockwise to lock.

5.2.2. Connect the flexible hose, 2pcs metal tubes and the floor brush, for floor care, wet&dry pick-up, vacuuming hardwoods, board materials, concrete and brick dust, etc.



5.2.3. Connect the flexible hose, with the crevice nozzle, for crevice cleaning; with the round brush, for textile and sofa cleaning.

## 6. CONTROLS

### 6.1. CONTROL PANEL

6.1.1. Pneumatic connectors. (fig.1.1).

6.1.2. Suction power selection. (fig.1.2).

6.1.3. Mode switch. (fig.1.3).

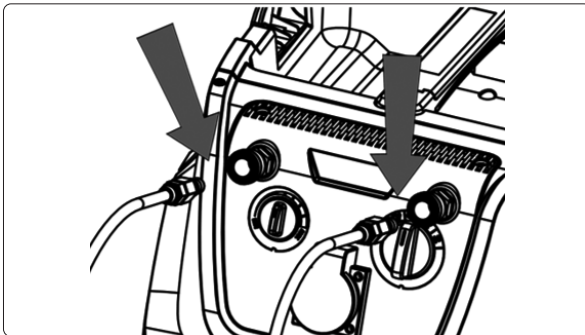
6.1.4. Socket for power tools. (fig1.4).



fig.1

### 6.2. PNEUMATIC CONNECTORS

6.2.1. The left connection is for pneumatic tools; and the right one is for the air supply.



### 6.3. SUCTION CONTROL

6.3.1. Turn the knob clockwise to enhance the suction power; anti-clockwise to reduce the suction power.



#### 6.4. SELECTION SWITCH



Power off.



Automatic filter-cleaning mode; filter shakes to clean the dust on surface when the suction is weak.



Timed filter-cleaning mode; filter shakes to clean the dust on surface ever specific time (usually set as 20S).



Automatic on-off function for power tools and pneumatic tools; the appliance starts work together with the connected tool, and stops after 8S when the tool is switched off. Automatic filter-cleaning mode is working at the same time.

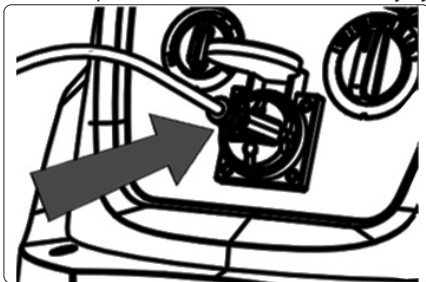


Automatic on-off function for power tools and pneumatic tools; the appliance starts work together with the connected tool, and stops after 8S when the tool is switched off. Timed filter-cleaning mode is working at the same time.

#### 6.5. SOCKET FOR POWER TOOLS

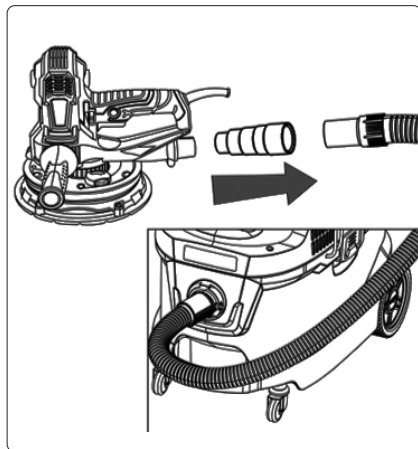
Plug in a power tool or electric appliance, so that it can work together in conjunction with the appliance.

- ❑ **WARNING!** Please pay attention to the rated maximum power limit on the socket before operation to reduce the risk of injury and damaging the appliance!



#### 6.6. HOSE CONNECTION WITH TOOLS

- 6.6.1. Connect the other end of the flexible hose to a tool which reserves a suction hole for the hose of a dust extractor, for some dust-free application; an adaptor might be needed to fit different size of suction hole.



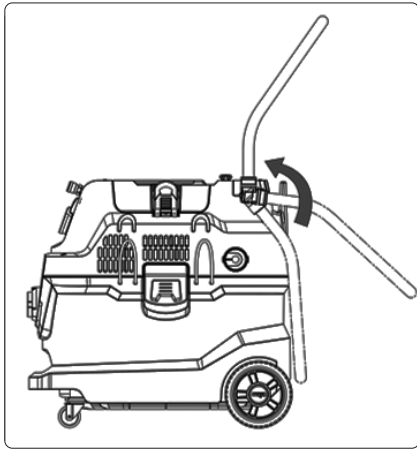
#### 6.7. BLOWING FUNCTION

To start the blowing function, insert the flexible hose into the blower port, and turn it clockwise to lock. Turn the gear switch and start the appliance.



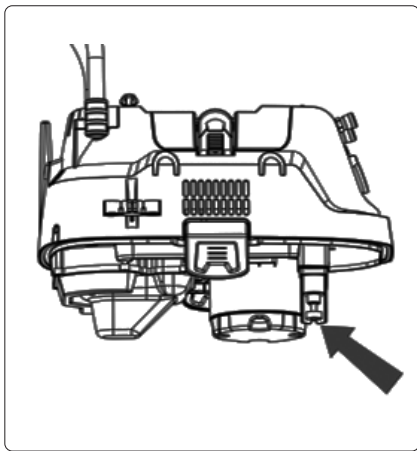
## 6.8. HANDLE

Turn up the handle to operate.



## 6.9. WATER LEVEL DETECTOR

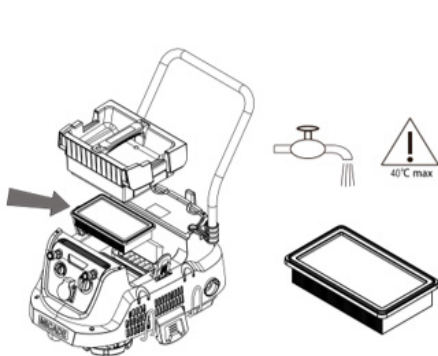
6.9.1. There's a water level detector in the shown position. The appliance will shutdown if the water in tank is over the safe level. To restart the appliance, please firstly turn the switch back to **OFF**; unplug it; empty the water and sewage in tank; plug it again and restart.



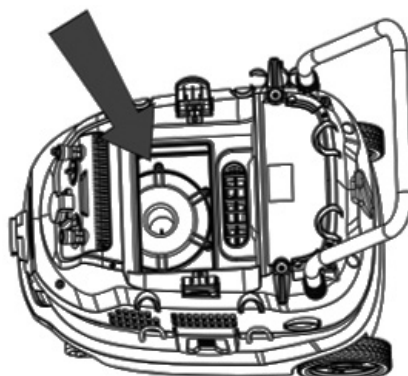
❑ **WARNING!** By turning over the head of the appliance, the water level detector can also be triggered. In this case, please reset the machine according to the above operation.

## 7. MAINTENANCE

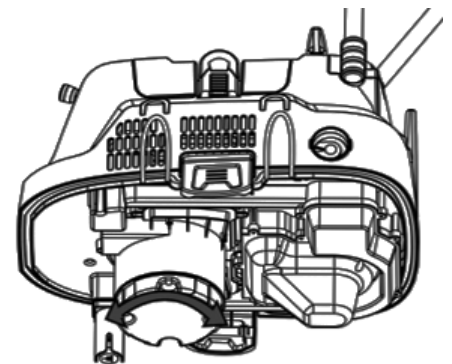
- 7.1. Always unplug the appliance before any maintenance, for avoiding electric shock
- 7.2. To ensure the best performance and keep the suction of the vacuum cleaner at a good condition, always check the cleanliness of the filters, accessories and vacuum cleaner chamber. This procedure shall be done before every use of the machine.
- 7.3. Dust bag should be emptied, or replaced with a new one when it's full of dust and debris, or after heavy work. Some dust bags are disposable; please consult with your service centre to confirm.
- 7.4. Clean and empty the tank, hose, tubes, and accessories with water, and dry them before second use; check if any debris or hair blocks the accessories to ensure that the appliance can work well.
- 7.5. Take out the HEPA filter from the top cover, shake the dust on the surface, or wash it with clean water. The HEPA filter should be dried before second use, and should be replaced with a new one after long time use.



Clean the chamber of the HEPA filter with a brush and dry rag, if there's any debris residue inside, after heavy work. Keep the chamber clean to ensure the best performance.



The plate of the cyclone separator should be emptied after heavy work. Check the following picture, twist the plate to the left side to remove it, and right side to fasten it.



Keep the appliance indoors without any dust or sewage inside, if it should be stored for a long time without being used; keep the place dry between 15~35°C

## 8. TROUBLESHOOTING

| SYMPTOM  | POSSIBLE CAUSE  | SOLUTION   |
|--|---|--|
| Dust/ liquid / detergent leaks from the hose / tubes / pipes / gaps / blower port. | <ol style="list-style-type: none"> <li>1. Accessories are not installed correctly.</li> <li>2. Filters and cyclone separator are not installed properly.</li> <li>3. Buckles are not well locked.</li> </ol>          | <ol style="list-style-type: none"> <li>1. Follow the assembly instructions and check the tightness of accessory joints.</li> <li>2. Check if filters are installed correctly.</li> <li>3. . Check the buckles and fasten them.</li> </ol>  |
| Weak suction.  | <ol style="list-style-type: none"> <li>1. Filters / tubes / hose/ suction port is blocked.</li> <li>2. The head unit is not connected correctly.</li> <li>3. The appliance is adjusted to minimum suction.</li> </ol> | <ol style="list-style-type: none"> <li>1. Clean up the filters and the accessories, or make use of the filter-cleaning function.</li> <li>2. . Reset the HEPA cover or head unit, and secure.</li> <li>3. Adjust the suction with the suction knob to the required value.</li> </ol> |
| Abnormal noise when operating.   | <ol style="list-style-type: none"> <li>1. Some of the banned and heavy metal might be vacuumed into the appliance.</li> </ol>   | <ol style="list-style-type: none"> <li>1. Check the appliance and empty.</li> </ol>  |
| Unit begins to smoke.  | Overheated, overloaded or damaged motor.  | Switch off and unplug from power supply. <b>DO NOT</b> continue to use. Contact your stockist for repair/replacement.  |
| Appliance doesn't work.  | <ol style="list-style-type: none"> <li>1. Water level detector is triggered.</li> </ol>   | <ol style="list-style-type: none"> <li>1. Reset the machine according to the mentioned operation of water level detector.</li> <li>2. Switch it off and send it to a service centre for repair.</li> </ol>   |
| Other functional fault   | <ol style="list-style-type: none"> <li>1. Some errors occur from the internal lines and components.</li> </ol>  | <ol style="list-style-type: none"> <li>1. Switch it off and send it to a service centre for repair.</li> </ol>   |

## 9. TRANSPORT & HANDLING

- ✓ Be sure to close all of the dirt container's locking hooks before transport; if possible transport it with the carton box.
- ✗ **DO NOT** transport or store the device upside down.
- ✗ **DO NOT** move the device on rough ground, in case of damage to the wheels.
- ✗ **DO NOT** put any object over 30KGS on the device.



### ENVIRONMENT PROTECTION

Recycle unwanted materials instead of disposing of them as waste. All tools, accessories and packaging should be sorted, taken to a recycling centre and disposed of in a manner which is compatible with the environment. When the product becomes completely unserviceable and requires disposal, drain any fluids (if applicable) into approved containers and dispose of the product and fluids according to local regulations.



REGISTER YOUR PURCHASE HERE



### WEEE REGULATIONS

Dispose of this product at the end of its working life in compliance with the EU Directive on Waste Electrical and Electronic Equipment (WEEE). When the product is no longer required, it must be disposed of in an environmentally protective way. Contact your local solid waste authority for recycling information.

**Note:** It is our policy to continually improve products and as such we reserve the right to alter data, specifications and component parts without prior notice.

**Important:** No Liability is accepted for incorrect use of this product.

**Warranty:** Guarantee is 12 months from purchase date, proof of which is required for any claim.

Sealey Group, Kempson Way, Suffolk Business Park, Bury St Edmunds, Suffolk. IP32 7AR

01284 757500

sales@sealey.co.uk

www.sealey.co.uk